



US00D349401S

# United States Patent [19] Carrillo

[11] Patent Number: Des. 349,401

[45] Date of Patent: \*\* Aug. 9, 1994

- [54] BOWLING BALL BAG
- [76] Inventor: **Dennis J. Carrillo**, 2818 Belt Line Rd., Apt. #167, Garland, Tex. 75044
- [\*\*] Term: **14 Years**
- [21] Appl. No.: **869,363**
- [22] Filed: **Apr. 14, 1992**
- [52] U.S. Cl. .... **D3/221; D3/279**
- [58] Field of Search ..... **D3/77, 76, 74, 30.1, D3/33, 35, 42, 48, 52, 71; 190/100-104, 106, 110, 115, 118, 111-113, 18 A, 109; 206/315.11**

5,105,919 4/1992 Bomes et al. .... 190/18 A

*Primary Examiner*—Bernard Ansher  
*Assistant Examiner*—Paula Mortimer  
*Attorney, Agent, or Firm*—Hugh E. Smith

### [57] CLAIM

The ornamental design for a bowling ball bag, as shown and described.

### DESCRIPTION

FIG. 1 is a front elevational view of the bowling ball bag showing my new design;  
FIG. 2 is a rear elevational view thereof;  
FIG. 3 is a left side elevational view thereof;  
FIG. 4 is a right side elevational view thereof;  
FIG. 5 is a top plan view thereof;  
FIG. 6 is a bottom plan view thereof; and,  
FIG. 7 is a top plan view with the cover portion in an open position.  
The broken line showing of the bowling balls in FIG. 7 is for illustrative purposes only and forms no part of the claimed design.

### [56] References Cited U.S. PATENT DOCUMENTS

|            |         |                      |           |
|------------|---------|----------------------|-----------|
| D. 285,748 | 9/1986  | Feinberg et al. .... | D3/77 X   |
| 4,210,186  | 7/1980  | Belenson .....       | 190/111 X |
| 4,334,601  | 6/1982  | Davis .....          | 190/111 X |
| 4,756,394  | 7/1988  | Cohen .....          | 190/110 X |
| 4,805,749  | 2/1989  | Gerch .....          | 190/111   |
| 4,966,259  | 10/1990 | Bergman .....        | 190/115 X |
| 5,005,679  | 4/1991  | Hjelle .....         | 190/110   |

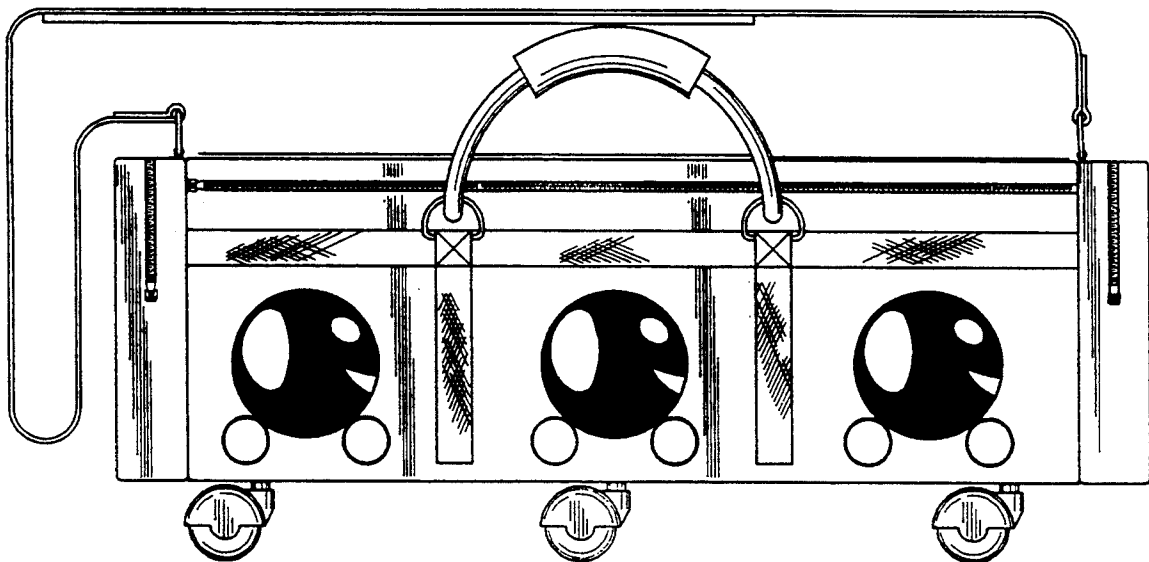


FIG. 1

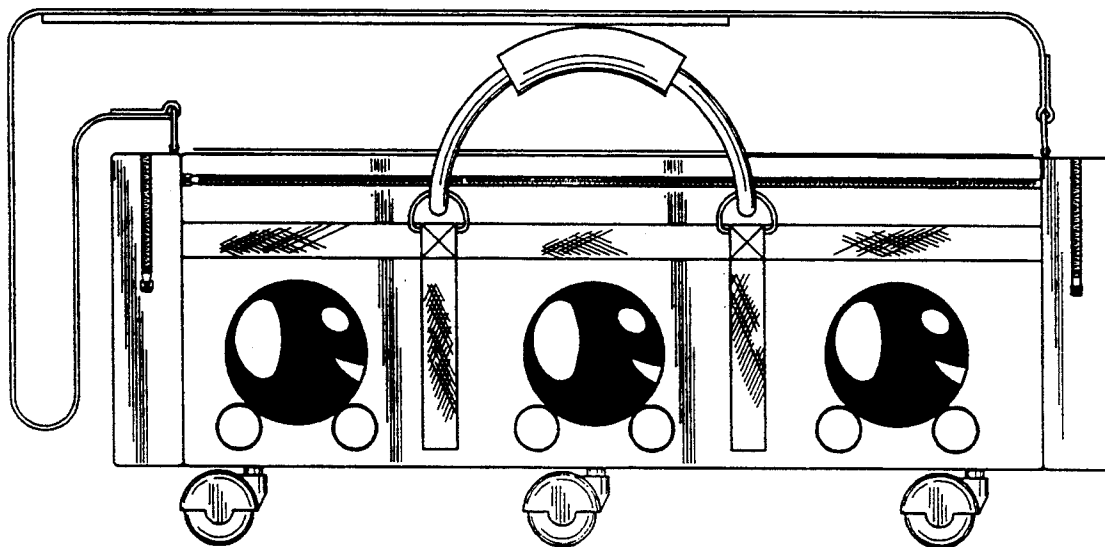


FIG. 2

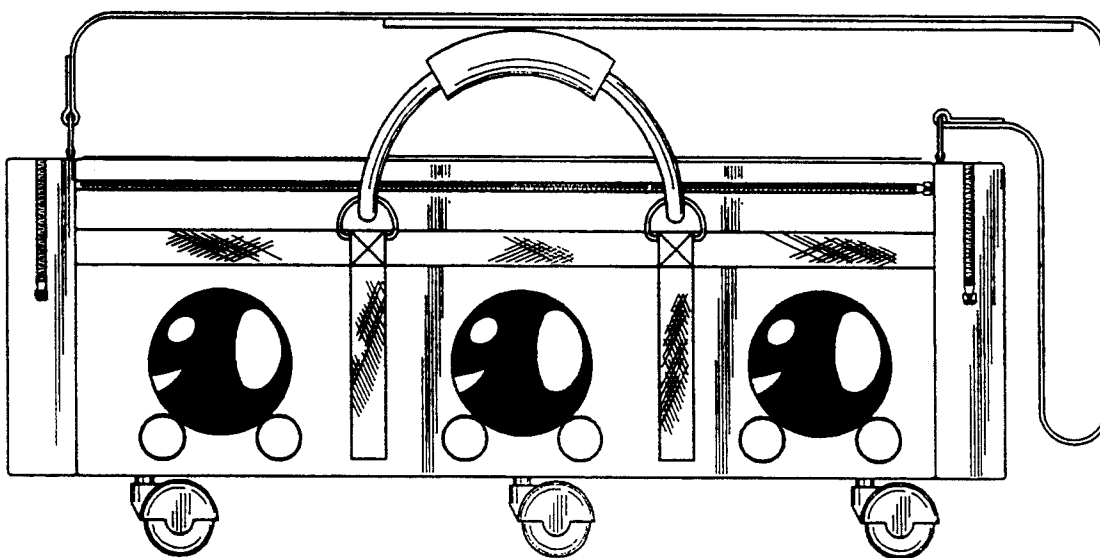


FIG. 3

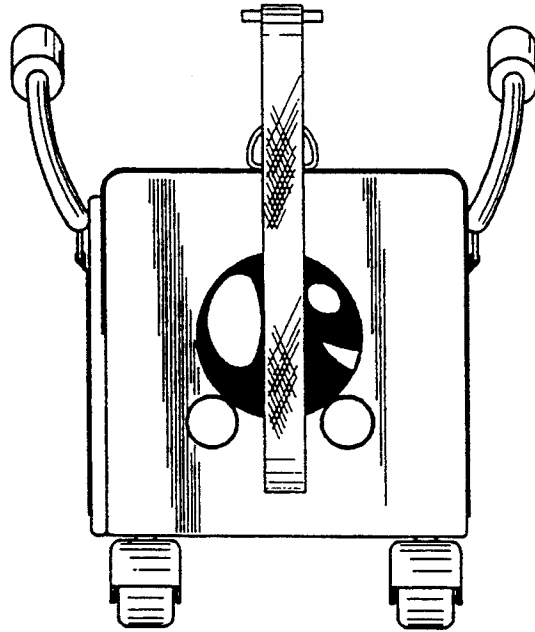


FIG. 4

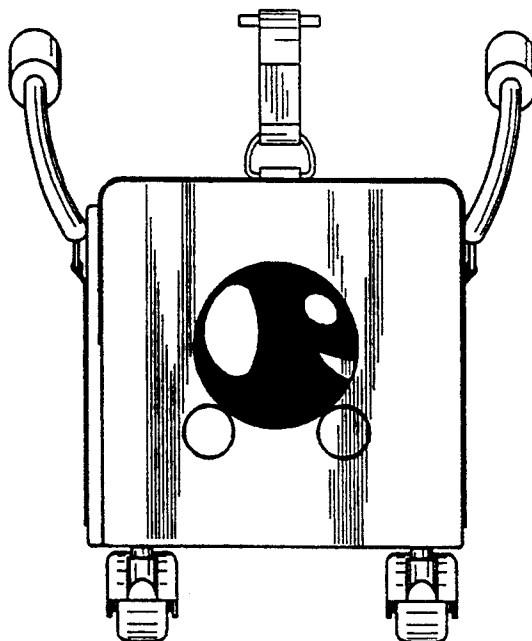


FIG. 5

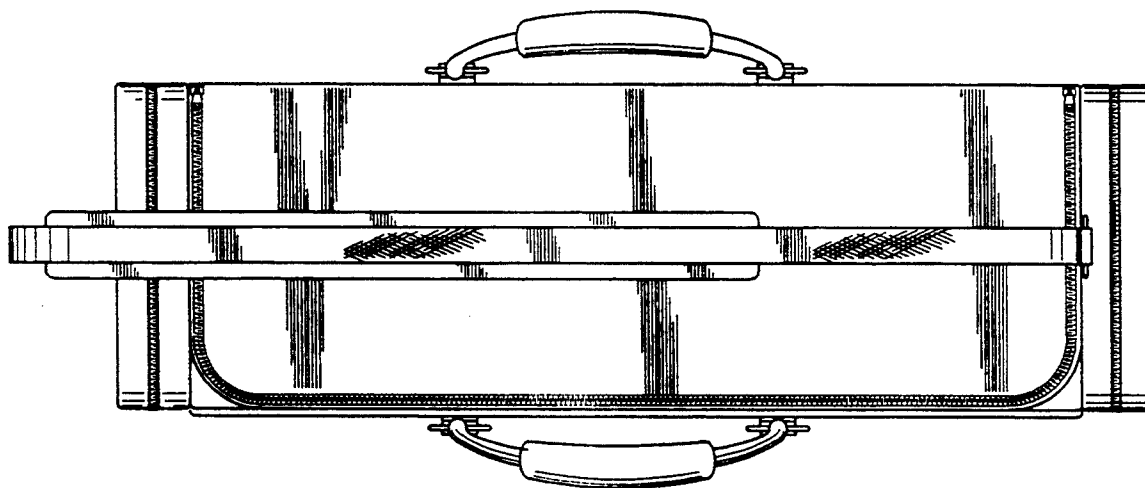


FIG. 6

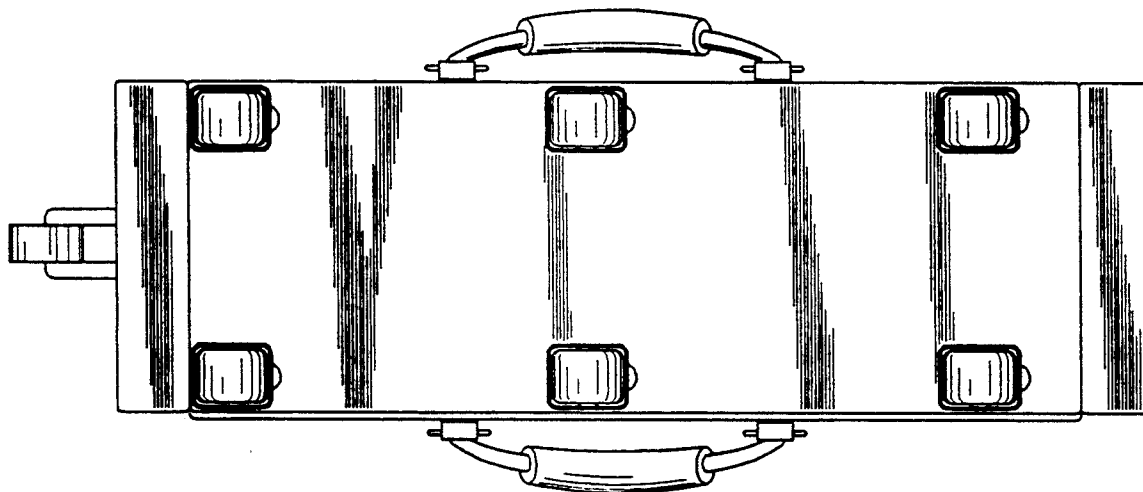


FIG. 7

