



- (51) International Patent Classification:
G06Q 10/00 (2012.01)
- (21) International Application Number:
PCT/US2016/066363
- (22) International Filing Date:
13 December 2016 (13.12.2016)
- (25) Filing Language: English
- (26) Publication Language: English
- (30) Priority Data:
14/970,011 15 December 2015 (15.12.2015) US
- (71) Applicant: **AMAZON TECHNOLOGIES, INC.**
[US/US]; P.O. Box 81226, Seattle, WA 98108-1226 (US).
- (72) Inventors: **FARROW, Benjamin, Lee**; 410 Terry Avenue North, Seattle, WA 98109-5210 (US). **BELL, Kristopher, William**; 410 Terry Avenue North, Seattle, WA 98109-5210 (US). **LAUKA, Wesley, Scott**; 410 Terry Avenue North, Seattle, WA 98109-5210 (US).

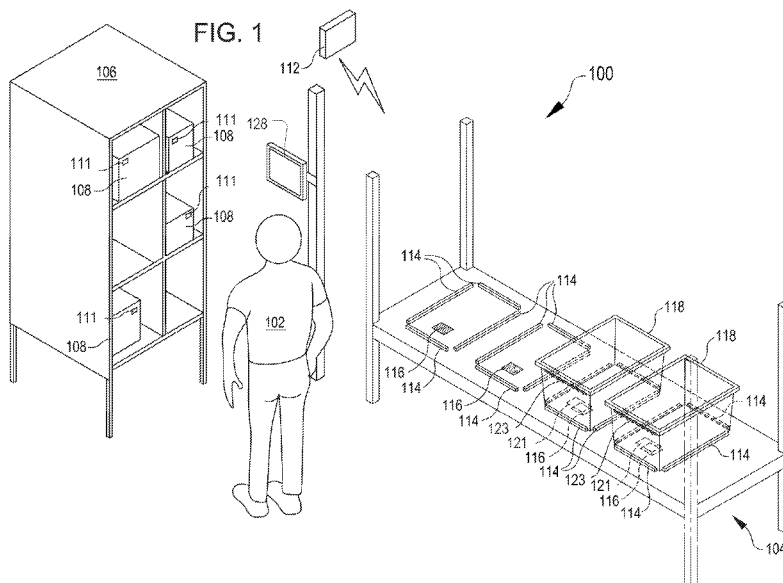
BZ, CA, CH, CL, CN, CO, CR, CU, CZ, DE, DJ, DK, DM, DO, DZ, EC, EE, EG, ES, FI, GB, GD, GE, GH, GM, GT, HN, HR, HU, ID, IL, IN, IR, IS, JP, KE, KG, KH, KN, KP, KR, KW, KZ, LA, LC, LK, LR, LS, LU, LY, MA, MD, ME, MG, MK, MN, MW, MX, MY, MZ, NA, NG, NI, NO, NZ, OM, PA, PE, PG, PH, PL, PT, QA, RO, RS, RU, RW, SA, SC, SD, SE, SG, SK, SL, SM, ST, SV, SY, TH, TJ, TM, TN, TR, TT, TZ, UA, UG, US, UZ, VC, VN, ZA, ZM, ZW.

- (74) Agents: **WYLIE, Roger, D.** et al.; Mailstop: IP Docketing - 22, 1100 Peachtree Street, Suite 2800, Atlanta, GA 30309 (US).
- (81) Designated States (unless otherwise indicated, for every kind of national protection available): AE, AG, AL, AM, AO, AT, AU, AZ, BA, BB, BG, BH, BN, BR, BW, BY,

(84) Designated States (unless otherwise indicated, for every kind of regional protection available): ARIPO (BW, GH, GM, KE, LR, LS, MW, MZ, NA, RW, SD, SL, ST, SZ, TZ, UG, ZM, ZW), Eurasian (AM, AZ, BY, KG, KZ, RU, TJ, TM), European (AL, AT, BE, BG, CH, CY, CZ, DE, DK, EE, ES, FI, FR, GB, GR, HR, HU, IE, IS, IT, LT, LU, LV, MC, MK, MT, NL, NO, PL, PT, RO, RS, SE, SI, SK, SM, TR), OAPI (BF, BJ, CF, CG, CI, CM, GA, GN, GQ, GW, KM, ML, MR, NE, SN, TD, TG).

- Published:
- with international search report (Art. 21(3))
 - before the expiration of the time limit for amending the claims and to be republished in the event of receipt of amendments (Rule 48.2(h))
- (88) Date of publication of the international search report:
27 July 2017

(54) Title: ILLUMINATING CONTAINERS IN AN INVENTORY SYSTEM



(57) Abstract: An inventory system employs self-illuminating inventory management containers. A self-illuminating container can include a container body, an illumination element, and a signal receiver for receiving instructions to illuminate the container. The self-illuminating inventory management containers can be illuminated to assist in locating the containers in the system broadly, or locally, and to assist in inventory processing operations.

WO 2017/106178 A3

INTERNATIONAL SEARCH REPORT

International application No
PCT/US2016/066363

A. CLASSIFICATION OF SUBJECT MATTER
INV. G06Q10/00
ADD.

According to International Patent Classification (IPC) or to both national classification and IPC

B. FIELDS SEARCHED
Minimum documentation searched (classification system followed by classification symbols)
G06Q G07G G07F

Documentation searched other than minimum documentation to the extent that such documents are included in the fields searched

Electronic data base consulted during the international search (name of data base and, where practicable, search terms used)
EPO-Internal

C. DOCUMENTS CONSIDERED TO BE RELEVANT

Category*	Citation of document, with indication, where appropriate, of the relevant passages	Relevant to claim No.
X	WO 2006/135830 A2 (MCKESSON AUTOMATION INC [US]; MILLER RICHARD [US]; WANGU MANOJ [US]; T) 21 December 2006 (2006-12-21) paragraph [0026] - paragraph [0032]; claims 1-5; figures 1-4 -----	1-14
A	US 2011/153466 A1 (HARISH DIVYASIMHA [US] ET AL) 23 June 2011 (2011-06-23) paragraph [0029] - paragraph [0061]; claims 1-24; figures 1-10 -----	1-14
A	JP 2010 120736 A (SHINMAYWA IND LTD) 3 June 2010 (2010-06-03) abstract -----	1-14

Further documents are listed in the continuation of Box C.

See patent family annex.

* Special categories of cited documents :

"A" document defining the general state of the art which is not considered to be of particular relevance	"T" later document published after the international filing date or priority date and not in conflict with the application but cited to understand the principle or theory underlying the invention
"E" earlier application or patent but published on or after the international filing date	"X" document of particular relevance; the claimed invention cannot be considered novel or cannot be considered to involve an inventive step when the document is taken alone
"L" document which may throw doubts on priority claim(s) or which is cited to establish the publication date of another citation or other special reason (as specified)	"Y" document of particular relevance; the claimed invention cannot be considered to involve an inventive step when the document is combined with one or more other such documents, such combination being obvious to a person skilled in the art
"O" document referring to an oral disclosure, use, exhibition or other means	"&" document member of the same patent family
"P" document published prior to the international filing date but later than the priority date claimed	

Date of the actual completion of the international search 12 June 2017	Date of mailing of the international search report 26/06/2017
---	--

Name and mailing address of the ISA/ European Patent Office, P.B. 5818 Patentlaan 2 NL - 2280 HV Rijswijk Tel. (+31-70) 340-2040, Fax: (+31-70) 340-3016	Authorized officer Viets, Ana
--	--------------------------------------

INTERNATIONAL SEARCH REPORT

Information on patent family members

International application No

PCT/US2016/066363

Patent document cited in search report	Publication date	Patent family member(s)	Publication date
WO 2006135830	A2	21-12-2006	CA 2611018 A1
			EP 1908002 A2
			US 2007023512 A1
			WO 2006135830 A2

US 2011153466	A1	23-06-2011	NONE

JP 2010120736	A	03-06-2010	JP 5238997 B2
			JP 2010120736 A
