



US00D855167S

(12) **United States Design Patent**
Li

(10) **Patent No.:** **US D855,167 S**

(45) **Date of Patent:** **** Jul. 30, 2019**

(54) **DONUT HUMIDIFIER**

D822,813 S 7/2018 Seo et al.
D826,388 S 8/2018 Yeung
D837,960 S 1/2019 Liang

(71) Applicant: **Shenzhen Wuyishi Technology Co., LTD.**, Shenzhen (CN)

* cited by examiner

(72) Inventor: **Xiangfu Li**, Shenzhen (CN)

Primary Examiner — David G Muller

(**) Term: **15 Years**

(74) *Attorney, Agent, or Firm* — W&K IP

(21) Appl. No.: **29/686,406**

(57) **CLAIM**

The ornamental design for a donut humidifier, as shown and described.

(22) Filed: **Apr. 4, 2019**

DESCRIPTION

(51) **LOC (11) Cl.** **23-04**

(52) **U.S. Cl.**
USPC **D23/356**

(58) **Field of Classification Search**
USPC D24/355–366, 332, 333, 336; 422/120, 422/122; 55/356, 473, 504; 96/97
CPC F24F 3/1405; F24F 3/1603; F24F 13/222
See application file for complete search history.

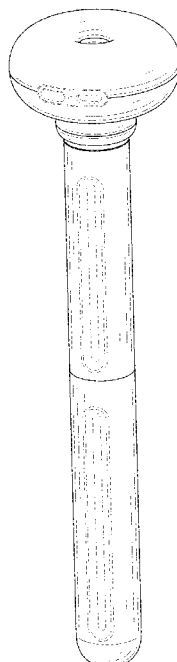
(56) **References Cited**

U.S. PATENT DOCUMENTS

| | | | | |
|----------------|---------|------------|-------|-----------------------|
| D414,550 S * | 9/1999 | Bloom | | D23/328 |
| D558,319 S * | 12/2007 | Ishiguro | | D23/356 |
| 8,113,490 B2 * | 2/2012 | Chen | | A61M 11/005 261/81 |
| D686,720 S * | 7/2013 | Lin | | D23/366 |
| D744,623 S * | 12/2015 | Ren | | D23/332 |
| D754,311 S * | 4/2016 | Ellis | | D23/355 |
| D754,312 S * | 4/2016 | Ellis | | D23/355 |
| D754,313 S * | 4/2016 | Ellis | | D23/364 |
| D754,314 S * | 4/2016 | Ellis | | D23/364 |
| D791,926 S * | 7/2017 | Spitsnogle | | D12/114 |
| D807,484 S * | 1/2018 | Sevy | | D23/366 |
| D817,467 S * | 5/2018 | Shin | | D23/364 |
| D818,098 S * | 5/2018 | Cho | | D23/364 |

FIG. 1 is a perspective view of a first embodiment of a donut humidifier showing my new design;
FIG. 2 is a front view of the first embodiment thereof;
FIG. 3 is a rear view of the first embodiment thereof;
FIG. 4 is a left side view of the first embodiment thereof;
FIG. 5 is a right side view of the first embodiment thereof;
FIG. 6 is a top view of the first embodiment thereof;
FIG. 7 is a bottom view of the first embodiment thereof.
FIG. 8 is a perspective view of a second embodiment of a donut humidifier showing my new design;
FIG. 9 is front view of the second embodiment thereof;
FIG. 10 is a rear view of the second embodiment thereof;
FIG. 11 is a left side view of the second embodiment thereof;
FIG. 12 is a right side view of the second embodiment thereof;
FIG. 13 is a top view of the second embodiment thereof;
and,
FIG. 14 is a bottom view of the second embodiment thereof.
The broken lines shown in the drawings depict portions of the donut humidifier in which the design is embodied that form no part of the claimed design.

1 Claim, 14 Drawing Sheets



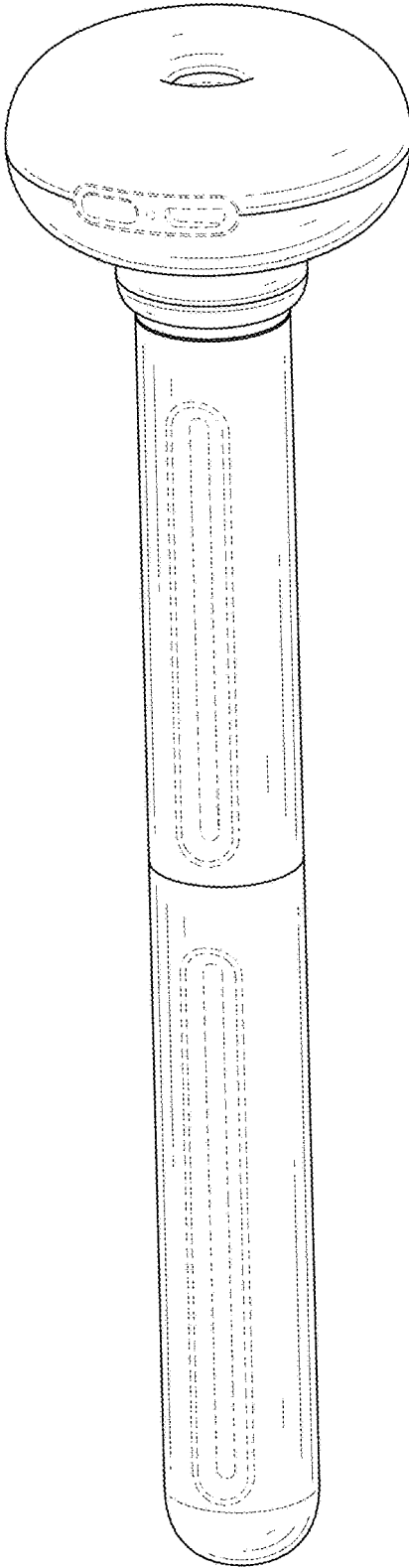


FIG. 1

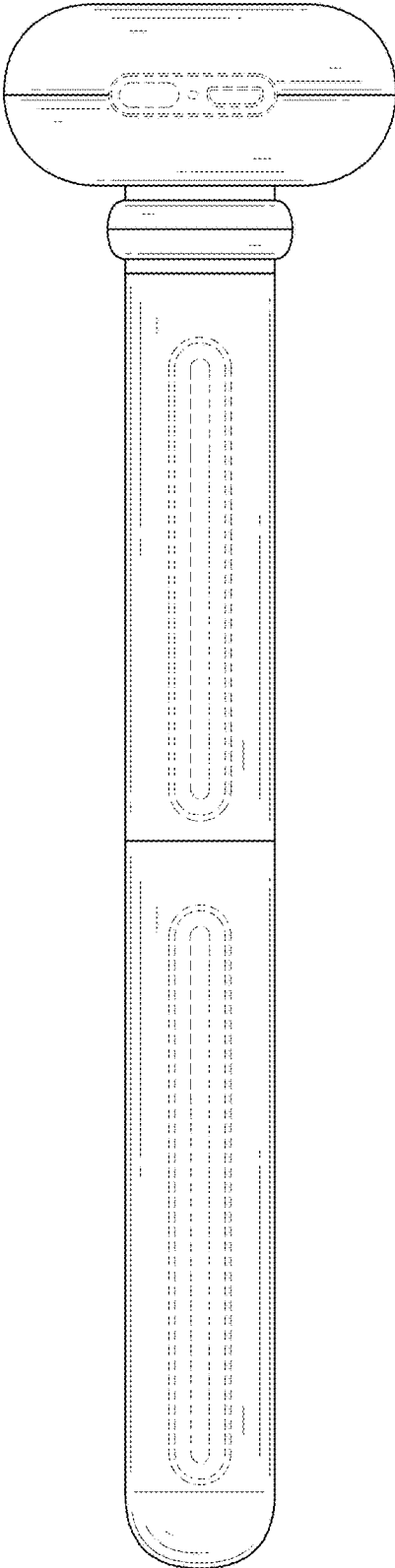


FIG. 2

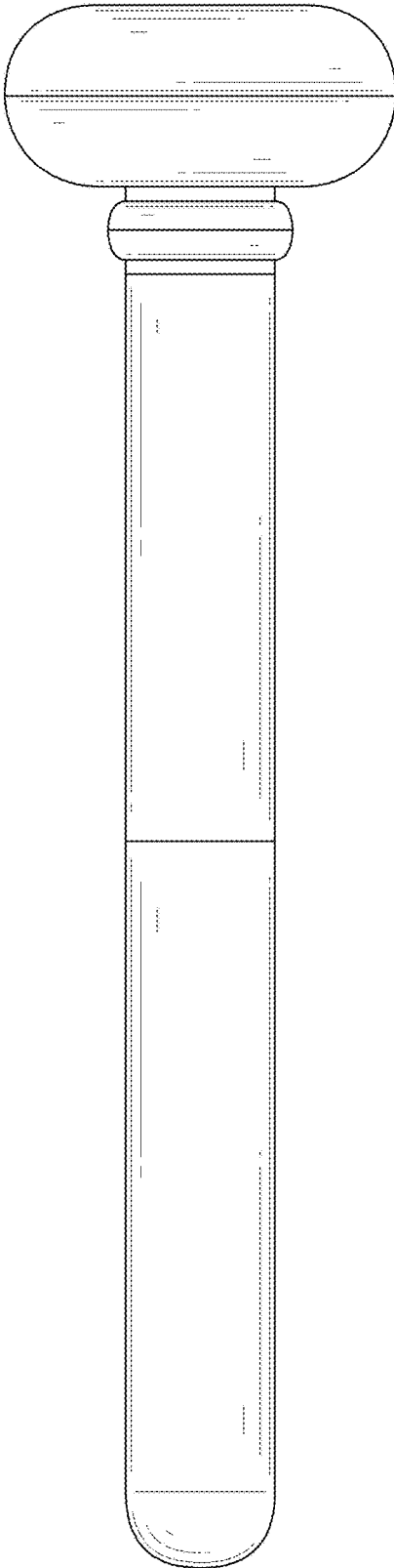


FIG. 3

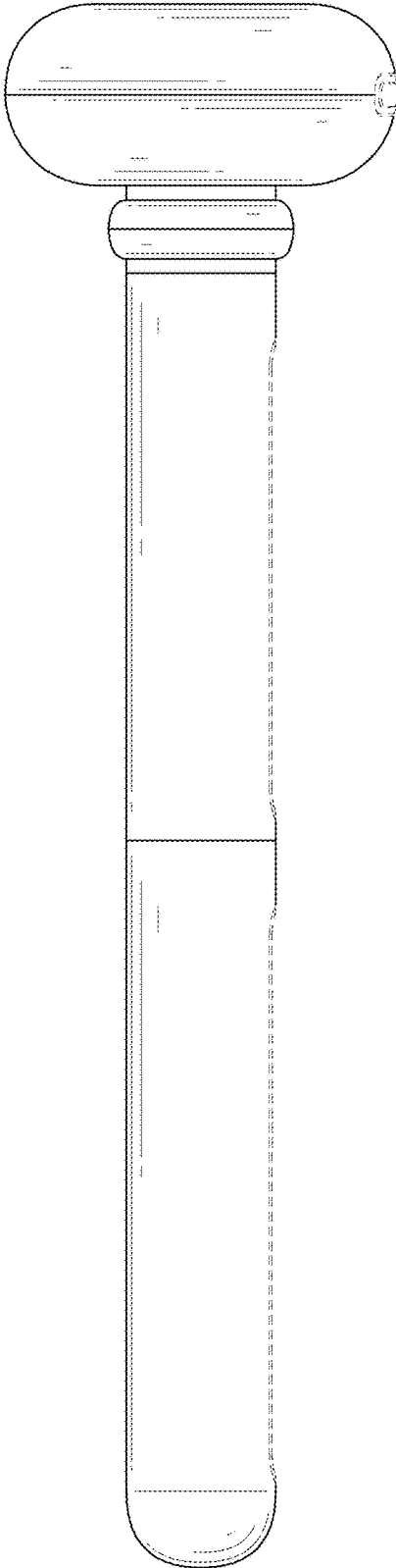


FIG. 4

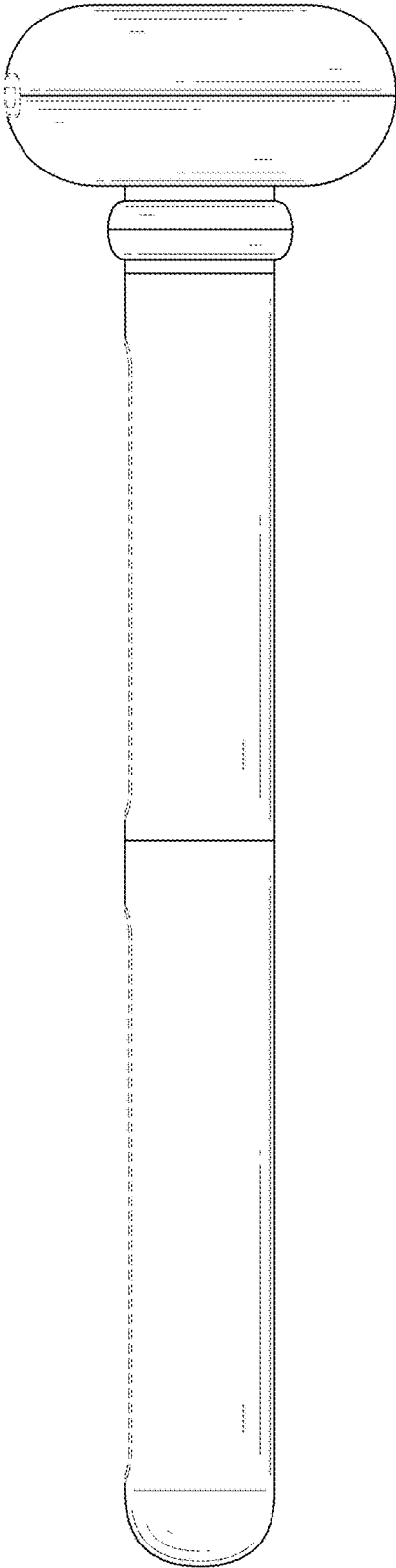


FIG. 5

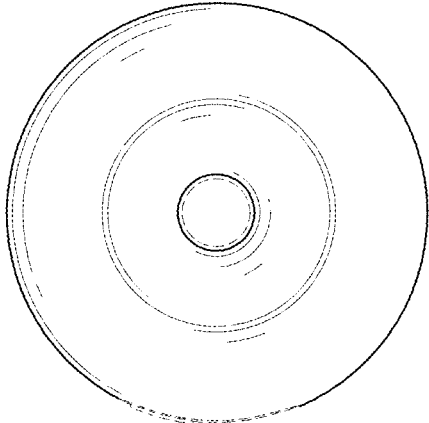


FIG. 6

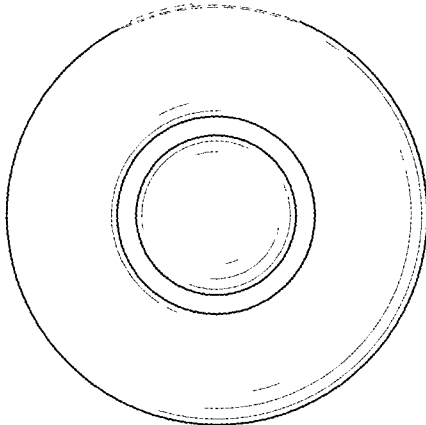


FIG. 7

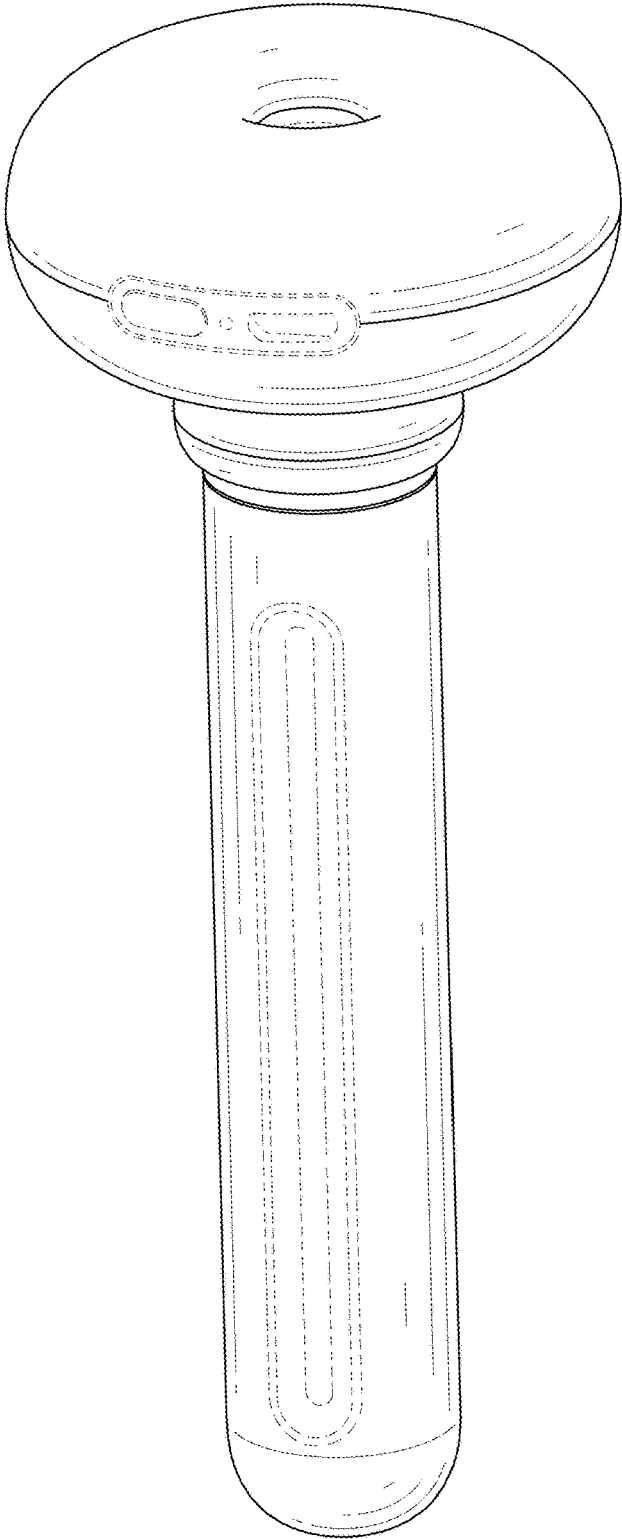


FIG. 8

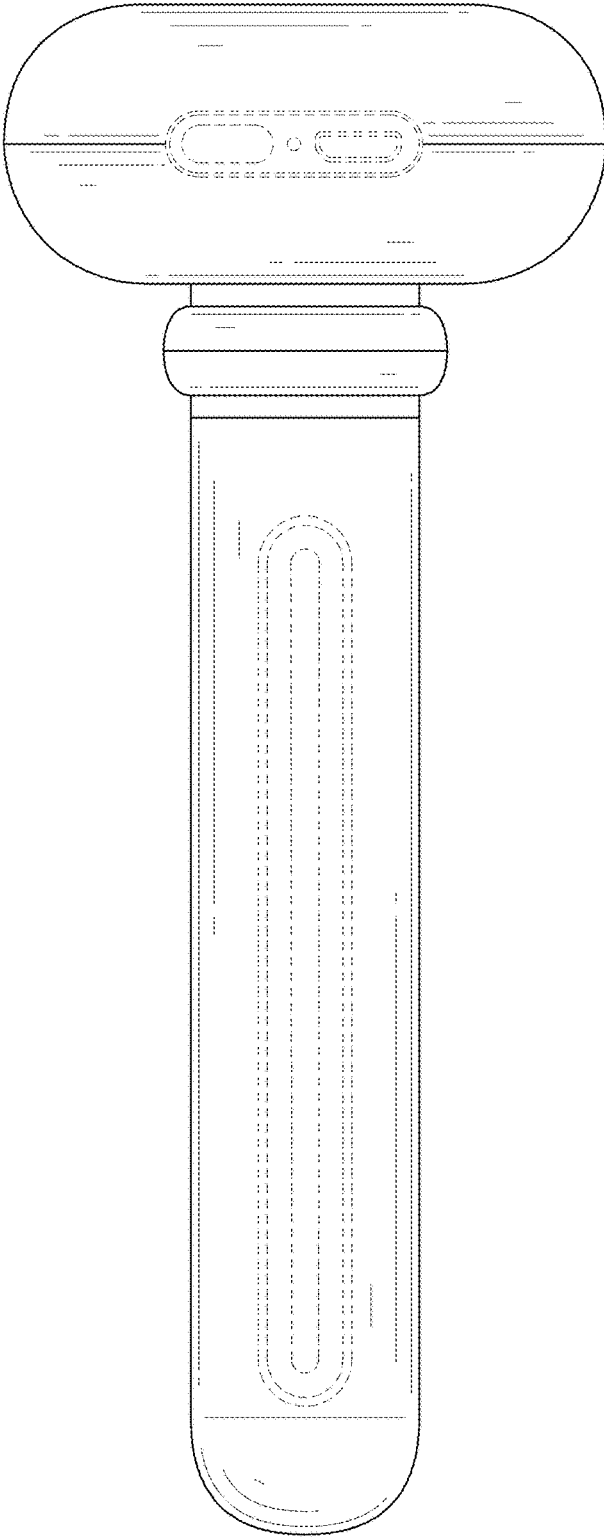


FIG. 9

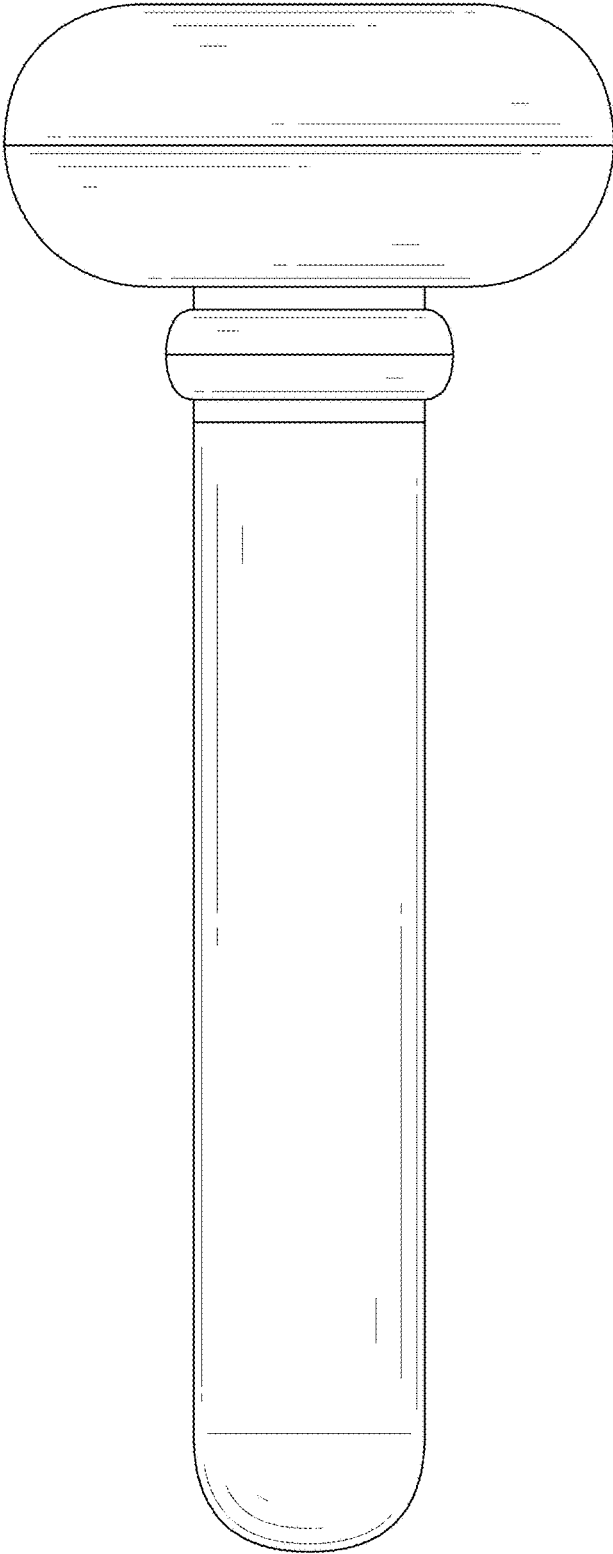


FIG. 10

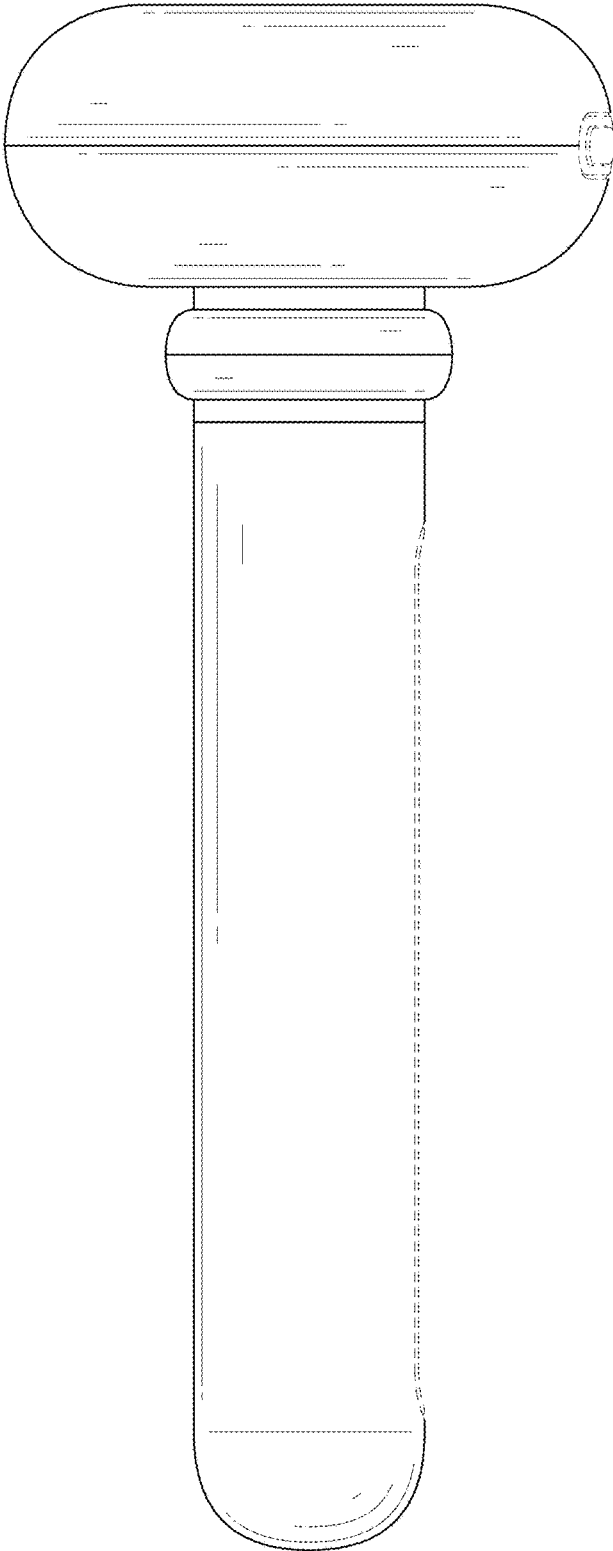


FIG. 11

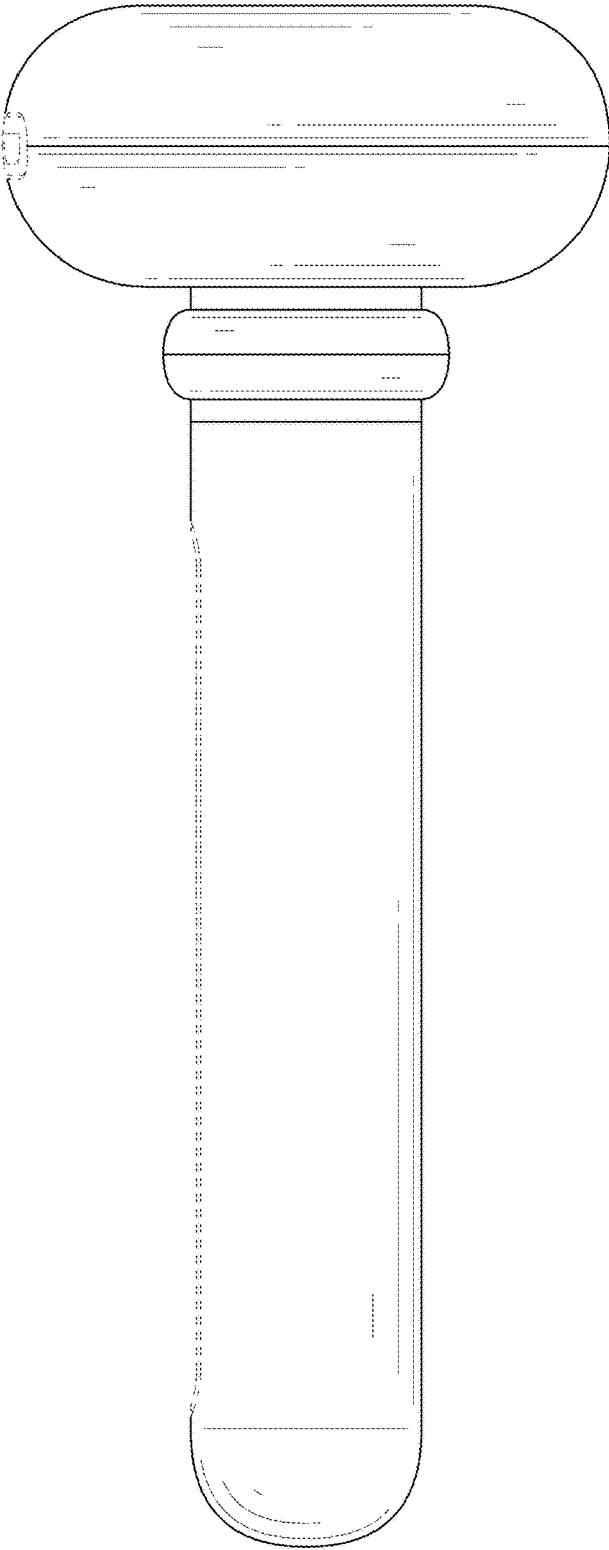


FIG. 12

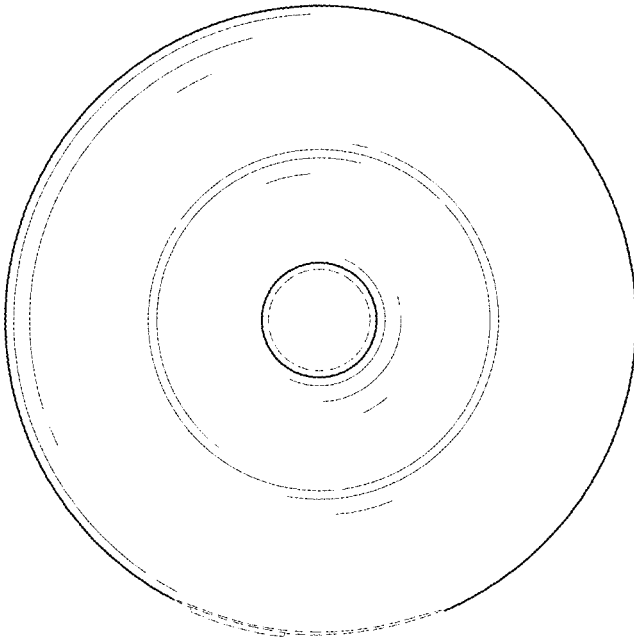


FIG. 13

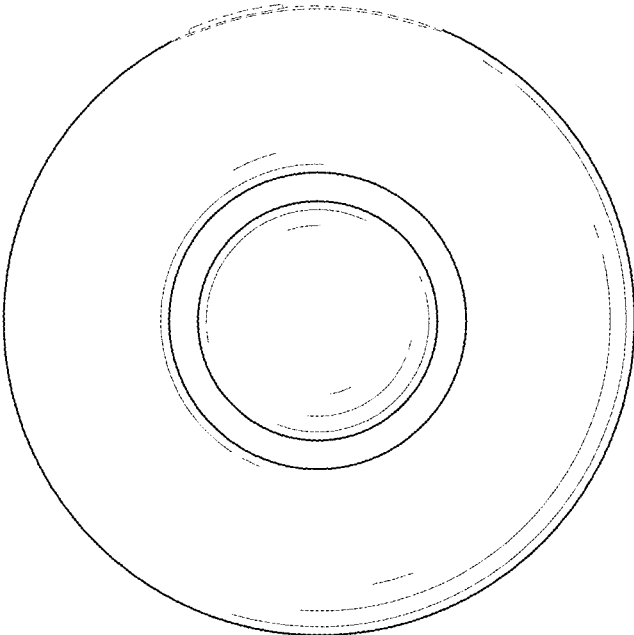


FIG. 14