

(19) World Intellectual Property Organization
International Bureau



(43) International Publication Date
27 April 2006 (27.04.2006)

PCT

(10) International Publication Number
WO 2006/044236 A3

- (51) International Patent Classification:
A61M 5/20 (2006.01)
- (21) International Application Number:
PCT/US2005/036071
- (22) International Filing Date: 7 October 2005 (07.10.2005)
- (25) Filing Language: English
- (26) Publication Language: English
- (30) Priority Data:
60/618,639 13 October 2004 (13.10.2004) US
60/670,413 11 April 2005 (11.04.2005) US
11/238,880 28 September 2005 (28.09.2005) US

(71) Applicant (for all designated States except US): **HYPRO-TEK, INC.** [US/US]; 4219 East 65th Avenue, Spokane, WA 99223-1806 (US).

(72) Inventors; and
(75) Inventors/Applicants (for US only): **TENNICAN, Patrick, O.** [US/US]; 4219 East 65th Avenue, Spokane, WA 99223-1806 (US). **MICHAELSEN, Russell, A.** [US/US]; 328 W 8th Ave, #316, Spokane, WA 99204 (US). **PHIPPS, Myles, L.** [US/US]; 107 East Liberty, Shelton, WA 98584 (US).

(74) Agents: **TAYLOR, Jennifer, J.** et al.; Wells St. John P.S., 601 W 1st Avenue, Ste 1300, Spokane, WA 99021 (US).

(81) Designated States (unless otherwise indicated, for every kind of national protection available): AE, AG, AL, AM, AT, AU, AZ, BA, BB, BG, BR, BW, BY, BZ, CA, CH, CN, CO, CR, CU, CZ, DE, DK, DM, DZ, EC, EE, EG, ES, FI, GB, GD, GE, GH, GM, HR, HU, ID, IL, IN, IS, JP, KE, KG, KM, KP, KR, KZ, LC, LK, LR, LS, LT, LU, LV, LY, MA, MD, MG, MK, MN, MW, MX, MZ, NA, NG, NI, NO, NZ, OM, PG, PH, PL, PT, RO, RU, SC, SD, SE, SG, SK, SL, SM, SY, TJ, TM, TN, TR, TT, TZ, UA, UG, US, UZ, VC, VN, YU, ZA, ZM, ZW.

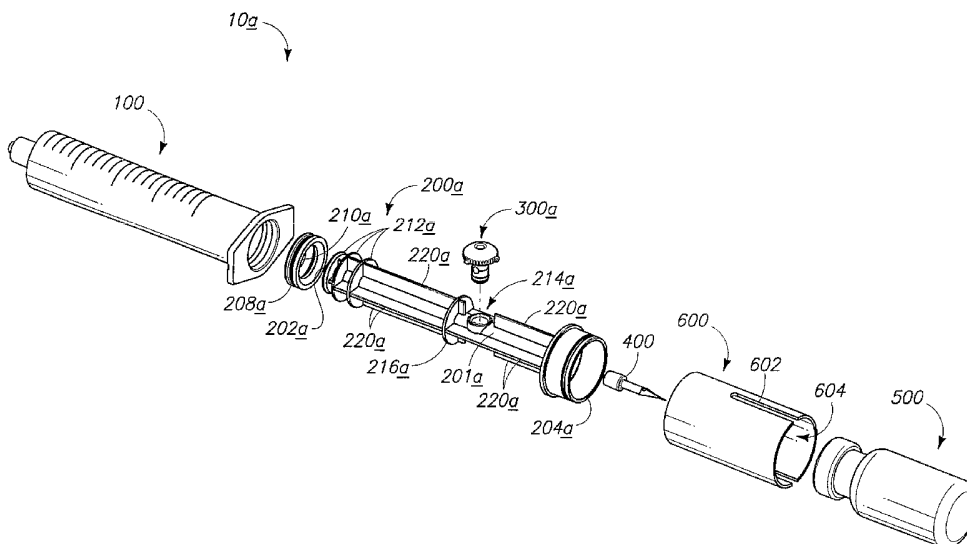
(84) Designated States (unless otherwise indicated, for every kind of regional protection available): ARIPO (BW, GH, GM, KE, LS, MW, MZ, NA, SD, SL, SZ, TZ, UG, ZM, ZW), Eurasian (AM, AZ, BY, KG, KZ, MD, RU, TJ, TM), European (AT, BE, BG, CH, CY, CZ, DE, DK, EE, ES, FI, FR, GB, GR, HU, IE, IS, IT, LT, LU, LV, MC, NL, PL, PT, RO, SE, SI, SK, TR), OAPI (BF, BJ, CF, CG, CI, CM, GA, GN, GQ, GW, ML, MR, NE, SN, TD, TG).

Published:
— with international search report

(88) Date of publication of the international search report:
23 November 2006

For two-letter codes and other abbreviations, refer to the "Guidance Notes on Codes and Abbreviations" appearing at the beginning of each regular issue of the PCT Gazette.

(54) Title: SYRINGE DEVICES AND METHODS FOR MIXING AND ADMINISTERING MEDICATION



(57) Abstract: The invention includes a device having a chamber within a syringe. A fluid passageway extends through a syringe piston. A valve is associated with the passageway controlling fluid passage through the piston. The invention includes a piercing structure having a head segment and a body portion, with a channel through the body portion and through at least one surface of the head without passing through the tip. In another aspect the invention encompasses a method of preparing an agent for administration to an individual. A first component is provided within a syringe and a second component is provided within a vial. A closed valve is associated with a fluid passageway between the vial and the syringe barrel through a piston. Valve repositioning allows fluid passage and sliding of the piston joins the first and second components. Repeated sliding of the piston mixes the components to produce the medication agent.

WO 2006/044236 A3

INTERNATIONAL SEARCH REPORT

International application No.

PCT/US05/36071

A. CLASSIFICATION OF SUBJECT MATTER

IPC: **A61M 5/20** (2006.01)

USPC: 604/139

According to International Patent Classification (IPC) or to both national classification and IPC

B. FIELDS SEARCHED

Minimum documentation searched (classification system followed by classification symbols)
U.S. : 604/139, 134,135,136

Documentation searched other than minimum documentation to the extent that such documents are included in the fields searched

Electronic data base consulted during the international search (name of data base and, where practicable, search terms used)

C. DOCUMENTS CONSIDERED TO BE RELEVANT

Category *	Citation of document, with indication, where appropriate, of the relevant passages	Relevant to claim No.
A	US 2,693,186 A (Riker et al.) 02 November 1954 Note: Please review the entire patent.	1-84

Further documents are listed in the continuation of Box C. See patent family annex.

* Special categories of cited documents:	
"A" document defining the general state of the art which is not considered to be of particular relevance	"T" later document published after the international filing date or priority date and not in conflict with the application but cited to understand the principle or theory underlying the invention
"E" earlier application or patent published on or after the international filing date	"X" document of particular relevance; the claimed invention cannot be considered novel or cannot be considered to involve an inventive step when the document is taken alone
"L" document which may throw doubts on priority claim(s) or which is cited to establish the publication date of another citation or other special reason (as specified)	"Y" document of particular relevance; the claimed invention cannot be considered to involve an inventive step when the document is combined with one or more other such documents, such combination being obvious to a person skilled in the art
"O" document referring to an oral disclosure, use, exhibition or other means	"&" document member of the same patent family
"P" document published prior to the international filing date but later than the priority date claimed	

Date of the actual completion of the international search 24 July 2006 (24.07.2006)	Date of mailing of the international search report 08 SEP 2006
--	--

Name and mailing address of the ISA/US Mail Stop PCT, Attn: ISA/US Commissioner for Patents P.O. Box 1450 Alexandria, Virginia 22313-1450 Facsimile No. (571) 273-3201	Authorized officer <i>For</i> Manuel Mendez <i>J. Libby</i> Telephone No. 703-000-000
---	--