



US00D449993B1

(12) **United States Design Patent**
Schumann

(10) **Patent No.:** **US D449,993 S**

(45) **Date of Patent:** **** Nov. 6, 2001**

(54) **HANDLE FOR PLASTIC CONTAINER**

(75) **Inventor:** **Ronald C. Schumann, Aurora, IL (US)**

(73) **Assignee:** **Crown Cork & Seal Technologies Corporation, Alsip, IL (US)**

(**) **Term:** **14 Years**

(21) **Appl. No.:** **29/133,739**

(22) **Filed:** **Dec. 1, 2000**

(51) **LOC (7) Cl.** **09-01**

(52) **U.S. Cl.** **D9/531; D9/434**

(58) **Field of Search** **D9/434, 500, 502, D9/503, 516, 520, 523, 530, 531, 539, 540, 549, 553, 559, 560, 561, 563, 566, 568, 570, 571, 572, 574, 575; 16/110, 430, 425; 215/396**

(56) **References Cited**

U.S. PATENT DOCUMENTS

D. 189,731	*	2/1961	Williams	D9/536
D. 194,068	*	11/1962	Pettingill	D9/536
D. 328,253	*	7/1992	Poore et al.	D9/536
D. 332,747	*	1/1993	Darr et al.	D9/520
D. 344,235	*	2/1994	Bridger et al.	D9/528
D. 391,167		2/1998	Beshara et al.		
D. 391,856	*	3/1998	Lynd	D9/531
D. 392,188	*	3/1998	Darr et al.	D9/520
D. 421,386	*	3/2000	Ota et al.	D9/434
D. 423,350	*	4/2000	Takashi et al.	D9/434
D. 429,644	*	8/2000	Hughes	D9/528
4,120,073	*	10/1978	Studebaker	294/33
4,629,598		12/1986	Thompson		
4,915,241		4/1990	Morimura et al.		
5,469,612		11/1995	Collette et al.		

5,535,901		7/1996	Ishii et al.		
5,606,772	*	3/1997	Ilic	16/421
5,637,167		6/1997	Krishnakumar et al.		
5,652,999	*	8/1997	Javis	16/110
5,704,506		1/1998	Tobias et al.		
5,918,754		7/1999	Lyons et al.		
5,931,324		8/1999	Lyons et al.		

FOREIGN PATENT DOCUMENTS

0 827 479 B1		5/1996	(EP)		
6-298252		10/1994	(JP)		
WO 97/43108		11/1997	(WO)		
WO 99/11530		3/1999	(WO)		

* cited by examiner

Primary Examiner—Ted Shooman

Assistant Examiner—Selina Sikder

(74) *Attorney, Agent, or Firm*—Knoble & Yoshida, LLC

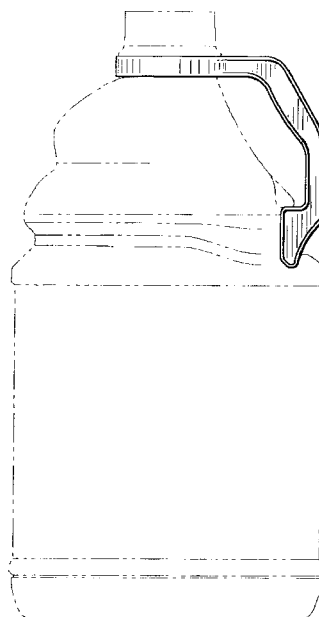
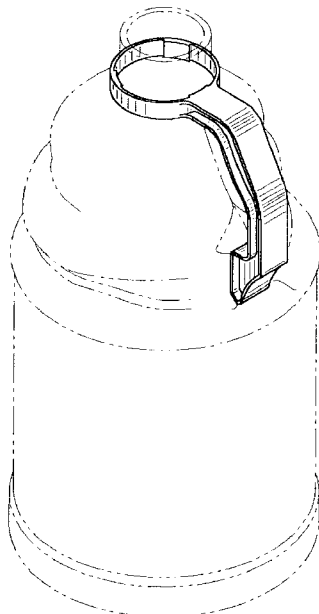
(57) **CLAIM**

The ornamental design for a “handle for plastic container,” as shown and described.

DESCRIPTION

FIG. 1 is a perspective view showing a preferred embodiment of my new design;
FIG. 2 is a front elevational view;
FIG. 3 is a first side elevational view;
FIG. 4 is a rear elevational view;
FIG. 5 is a second side elevational view;
FIG. 6 is a top plan view; and,
FIG. 7 is a bottom plan view.
Any broken lines in the drawings depict probable environment only and form no part of the claimed design.

1 Claim, 4 Drawing Sheets



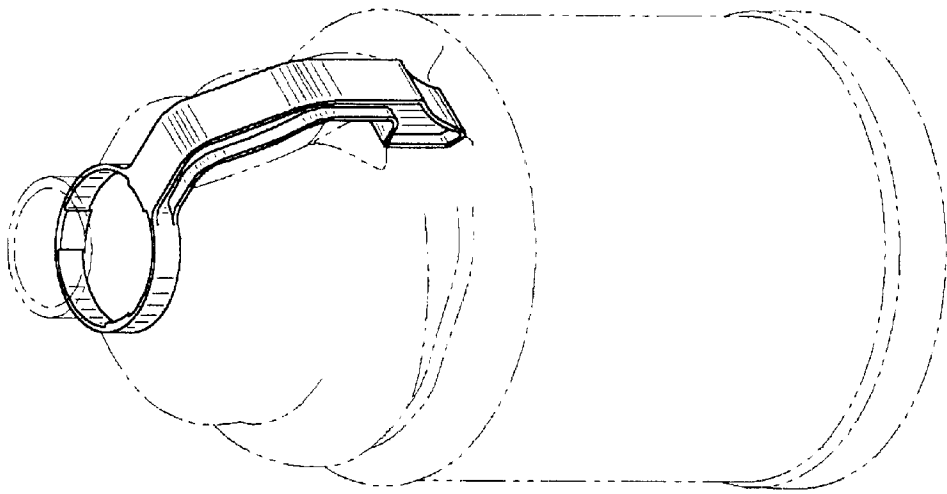


FIG. 1

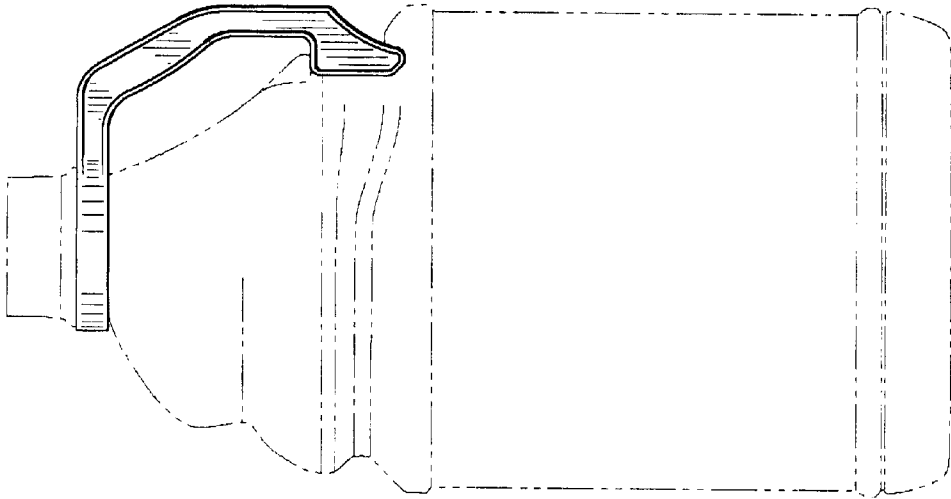


FIG. 3

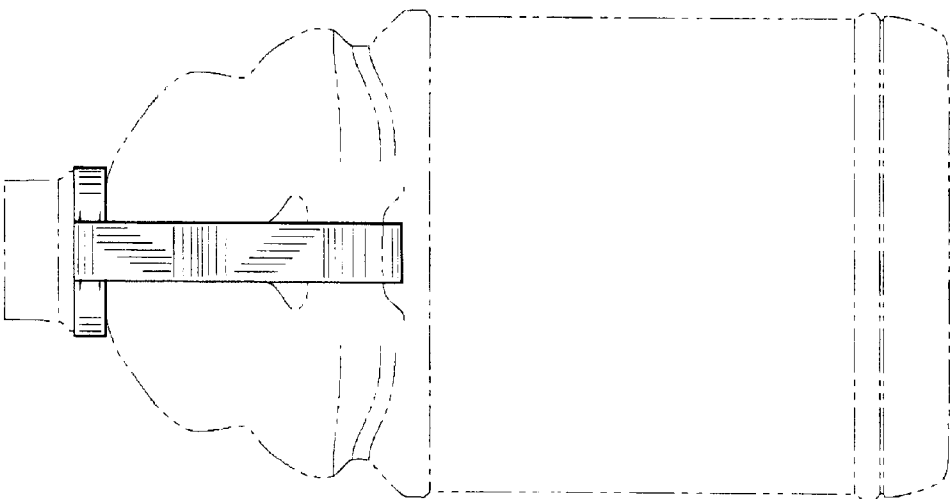


FIG. 2

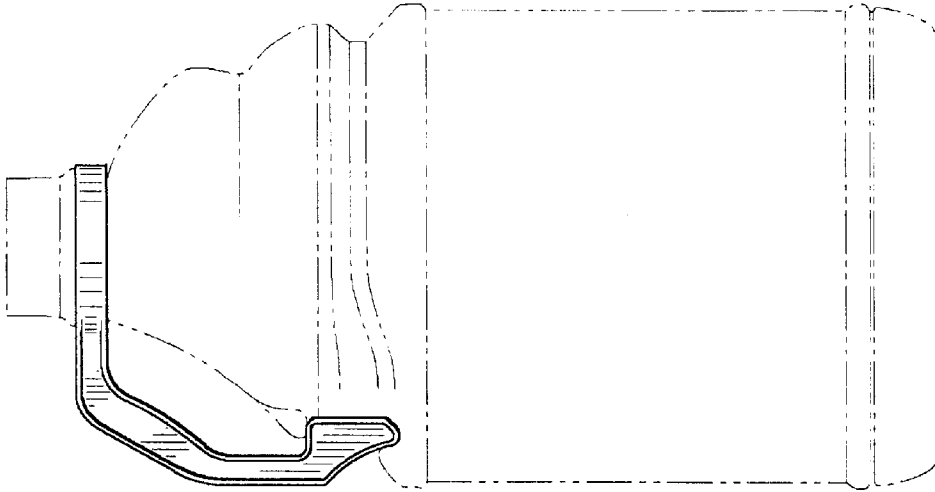


FIG. 5

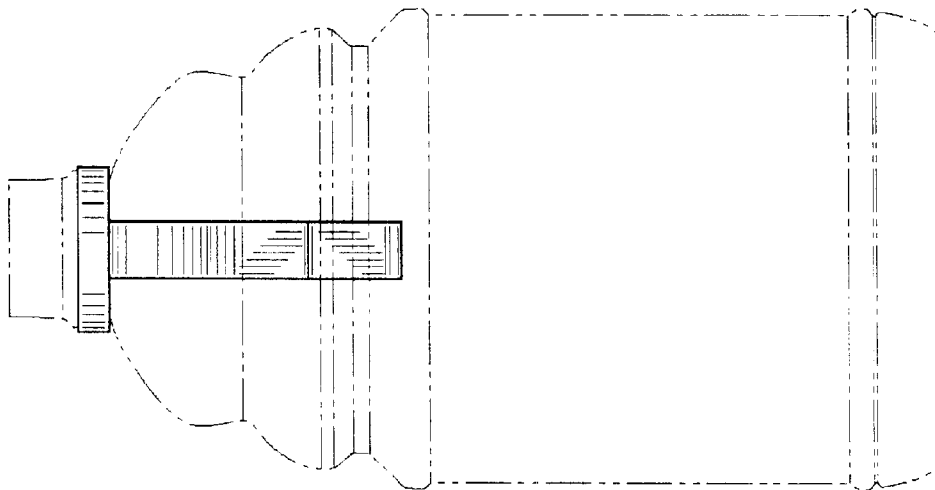


FIG. 4

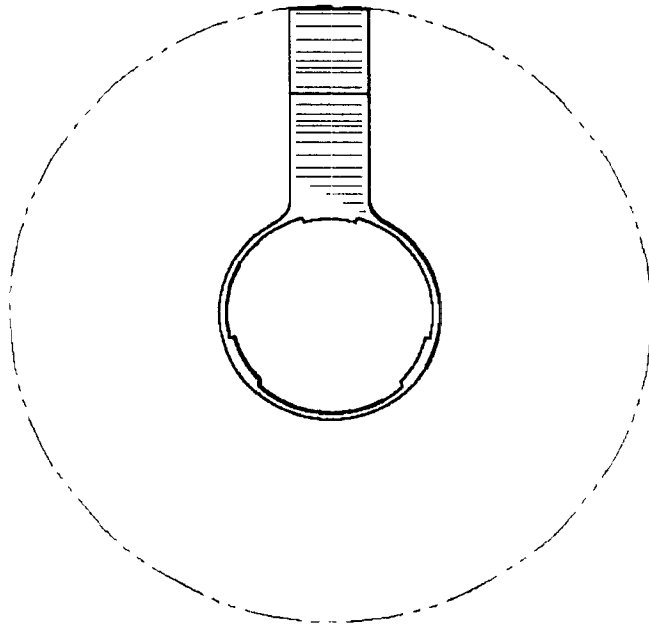


FIG. 7

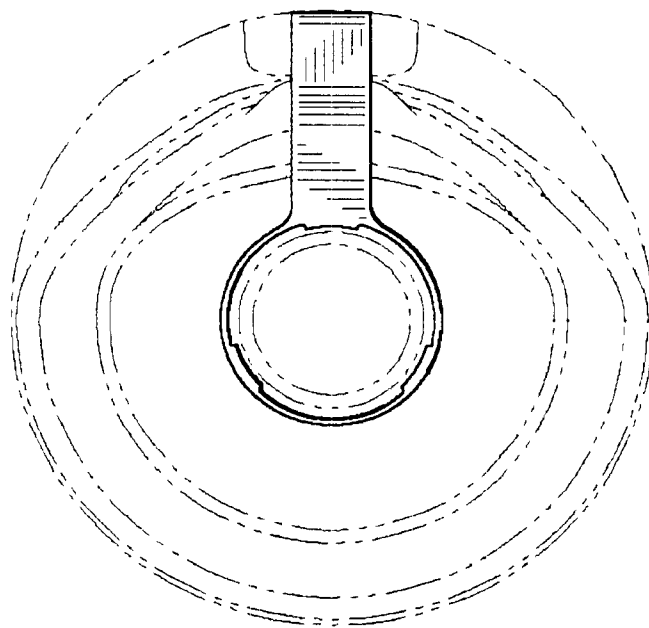


FIG. 6