

(19) World Intellectual Property Organization
International Bureau



(43) International Publication Date
23 March 2006 (23.03.2006)

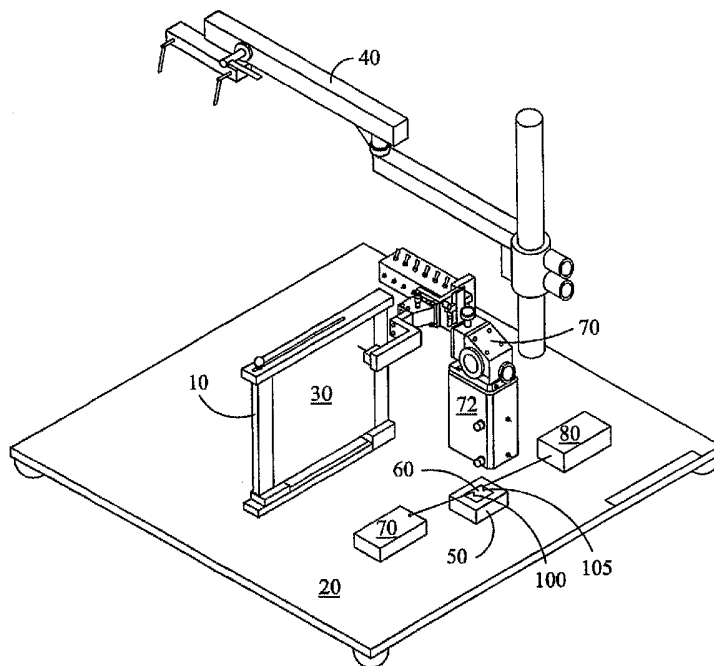
PCT

(10) International Publication Number
WO 2006/031646 A3

- (51) International Patent Classification:
G01R 31/28 (2006.01)
- (21) International Application Number:
PCT/US2005/032159
- (22) International Filing Date:
8 September 2005 (08.09.2005)
- (25) Filing Language: English
- (26) Publication Language: English
- (30) Priority Data:
60/609,605 13 September 2004 (13.09.2004) US
- (71) Applicant (for all designated States except US): **CASCADE MICROTECH, INC.** [US/US]; 2430 NW 206th Avenue, Beaverton, OR 97006 (US).
- (72) Inventors; and
- (75) Inventors/Applicants (for US only): **BURCHAM, Terry** [US/US]; 7905 SW Rood Bridge Road, Hillsboro, OR 97123 (US). **McCANN, Peter** [US/US]; 5910 SW 165th Court, Beaverton, OR 97007 (US). **JONES, Rod** [US/US]; 15400 NE Cunningham, Gaston, OR 97119 (US).
- (74) Agents: **RUSSELL, Kevin, L.** et al.; Chernoff, Vilhauer, McClung & Stenzel, 1600 ODS Tower, 601 SW Second Avenue, Portland, OR 97204 (US).
- (81) Designated States (unless otherwise indicated, for every kind of national protection available): AE, AG, AL, AM, AT, AU, AZ, BA, BB, BG, BR, BW, BY, BZ, CA, CH, CN, CO, CR, CU, CZ, DE, DK, DM, DZ, EC, EE, EG, ES, FI, GB, GD, GE, GH, GM, HR, HU, ID, IL, IN, IS, JP, KE, KG, KM, KP, KR, KZ, LC, LK, LR, LS, LT, LU, LV, MA, MD, MG, MK, MN, MW, MX, MZ, NA, NG, NI, NO, NZ, OM, PG, PH, PL, PT, RO, RU, SC, SD, SE, SG, SK, SL, SM, SY, TJ, TM, TN, TR, TT, TZ, UA, UG, US, UZ, VC, VN, YU, ZA, ZM, ZW.
- (84) Designated States (unless otherwise indicated, for every kind of regional protection available): ARIPO (BW, GH, GM, KE, LS, MW, MZ, NA, SD, SL, SZ, TZ, UG, ZM, ZW), Eurasian (AM, AZ, BY, KG, KZ, MD, RU, TJ, TM), European (AT, BE, BG, CH, CY, CZ, DE, DK, EE, ES, FI, FR, GB, GR, HU, IE, IS, IT, LT, LU, LV, MC, NL, PL, PT, RO, SE, SI, SK, TR), OAPI (BF, BJ, CF, CG, CI, CM, GA, GN, GQ, GW, ML, MR, NE, SN, TD, TG).
- Published:
— with international search report

[Continued on next page]

(54) Title: DOUBLE SIDED PROBING STRUCTURES



(57) Abstract: A test configuration for double sided probing of a device under test includes a holder to secure the device under test in a first orientation, a calibration substrate secured in a second orientation and a probe capable of calibration using the calibration substrate and probing the device under test.

WO 2006/031646 A3



— *before the expiration of the time limit for amending the claims and to be republished in the event of receipt of amendments*

For two-letter codes and other abbreviations, refer to the "Guidance Notes on Codes and Abbreviations" appearing at the beginning of each regular issue of the PCT Gazette.

(88) Date of publication of the international search report:
20 July 2006

INTERNATIONAL SEARCH REPORT

International application No.

PCT/US05/32159

<p>A. CLASSIFICATION OF SUBJECT MATTER IPC: G01R 31/28(2006.01)</p> <p>USPC: 324/158.1 According to International Patent Classification (IPC) or to both national classification and IPC</p>																	
<p>B. FIELDS SEARCHED</p> <p>Minimum documentation searched (classification system followed by classification symbols) U.S. : 324/158.1</p> <p>Documentation searched other than minimum documentation to the extent that such documents are included in the fields searched NONE</p> <p>Electronic data base consulted during the international search (name of data base and, where practicable, search terms used) Please See Continuation Sheet</p>																	
<p>C. DOCUMENTS CONSIDERED TO BE RELEVANT</p> <table border="1"> <thead> <tr> <th>Category *</th> <th>Citation of document, with indication, where appropriate, of the relevant passages</th> <th>Relevant to claim No.</th> </tr> </thead> <tbody> <tr> <td>X</td> <td>US 6,396,296 B1 (TARTER et al) 28 March 2002 (28.03.2002), Figure 4; column 3, lines 45-46; column 4, lines 51-52.</td> <td>1</td> </tr> <tr> <td>X,P</td> <td>US 2004/0201388 A1 (BARR) 14 October 2004 (14.10.2004), paragraph 0012, lines 3-7.</td> <td>1</td> </tr> <tr> <td>A,P</td> <td>US 6,798,226 B2 (ALTMANN et al) 28 September 2004 (28.09.2004), Figure 1.</td> <td>1</td> </tr> <tr> <td>A</td> <td>US 2002/0153909 A1 (PETERSEN et al) 24 October 2002 (24.10.2002), Figure 8; paragraph 0142.</td> <td>1</td> </tr> </tbody> </table>			Category *	Citation of document, with indication, where appropriate, of the relevant passages	Relevant to claim No.	X	US 6,396,296 B1 (TARTER et al) 28 March 2002 (28.03.2002), Figure 4; column 3, lines 45-46; column 4, lines 51-52.	1	X,P	US 2004/0201388 A1 (BARR) 14 October 2004 (14.10.2004), paragraph 0012, lines 3-7.	1	A,P	US 6,798,226 B2 (ALTMANN et al) 28 September 2004 (28.09.2004), Figure 1.	1	A	US 2002/0153909 A1 (PETERSEN et al) 24 October 2002 (24.10.2002), Figure 8; paragraph 0142.	1
Category *	Citation of document, with indication, where appropriate, of the relevant passages	Relevant to claim No.															
X	US 6,396,296 B1 (TARTER et al) 28 March 2002 (28.03.2002), Figure 4; column 3, lines 45-46; column 4, lines 51-52.	1															
X,P	US 2004/0201388 A1 (BARR) 14 October 2004 (14.10.2004), paragraph 0012, lines 3-7.	1															
A,P	US 6,798,226 B2 (ALTMANN et al) 28 September 2004 (28.09.2004), Figure 1.	1															
A	US 2002/0153909 A1 (PETERSEN et al) 24 October 2002 (24.10.2002), Figure 8; paragraph 0142.	1															
<p><input type="checkbox"/> Further documents are listed in the continuation of Box C. <input type="checkbox"/> See patent family annex.</p>																	
<p>* Special categories of cited documents:</p> <table border="0"> <tr> <td>"A" document defining the general state of the art which is not considered to be of particular relevance</td> <td>"T" later document published after the international filing date or priority date and not in conflict with the application but cited to understand the principle or theory underlying the invention</td> </tr> <tr> <td>"E" earlier application or patent published on or after the international filing date</td> <td>"X" document of particular relevance; the claimed invention cannot be considered novel or cannot be considered to involve an inventive step when the document is taken alone</td> </tr> <tr> <td>"L" document which may throw doubts on priority claim(s) or which is cited to establish the publication date of another citation or other special reason (as specified)</td> <td>"Y" document of particular relevance; the claimed invention cannot be considered to involve an inventive step when the document is combined with one or more other such documents, such combination being obvious to a person skilled in the art</td> </tr> <tr> <td>"O" document referring to an oral disclosure, use, exhibition or other means</td> <td>"&" document member of the same patent family</td> </tr> <tr> <td>"P" document published prior to the international filing date but later than the priority date claimed</td> <td></td> </tr> </table>			"A" document defining the general state of the art which is not considered to be of particular relevance	"T" later document published after the international filing date or priority date and not in conflict with the application but cited to understand the principle or theory underlying the invention	"E" earlier application or patent published on or after the international filing date	"X" document of particular relevance; the claimed invention cannot be considered novel or cannot be considered to involve an inventive step when the document is taken alone	"L" document which may throw doubts on priority claim(s) or which is cited to establish the publication date of another citation or other special reason (as specified)	"Y" document of particular relevance; the claimed invention cannot be considered to involve an inventive step when the document is combined with one or more other such documents, such combination being obvious to a person skilled in the art	"O" document referring to an oral disclosure, use, exhibition or other means	"&" document member of the same patent family	"P" document published prior to the international filing date but later than the priority date claimed						
"A" document defining the general state of the art which is not considered to be of particular relevance	"T" later document published after the international filing date or priority date and not in conflict with the application but cited to understand the principle or theory underlying the invention																
"E" earlier application or patent published on or after the international filing date	"X" document of particular relevance; the claimed invention cannot be considered novel or cannot be considered to involve an inventive step when the document is taken alone																
"L" document which may throw doubts on priority claim(s) or which is cited to establish the publication date of another citation or other special reason (as specified)	"Y" document of particular relevance; the claimed invention cannot be considered to involve an inventive step when the document is combined with one or more other such documents, such combination being obvious to a person skilled in the art																
"O" document referring to an oral disclosure, use, exhibition or other means	"&" document member of the same patent family																
"P" document published prior to the international filing date but later than the priority date claimed																	
<p>Date of the actual completion of the international search 09 May 2006 (09.05.2006)</p>		<p>Date of mailing of the international search report 25 MAY 2006</p>															
<p>Name and mailing address of the ISA/US Mail Stop PCT, Attn: ISA/US Commissioner for Patents P.O. Box 1450 Alexandria, Virginia 22313-1450 Facsimile No. (571) 273-3201</p>		<p>Authorized officer JOSE G. DEES Telephone No. (571) 272-1607</p> <p><i>Jose G. Dees</i></p>															

INTERNATIONAL SEARCH REPORT

International application No.
PCT/US05/32159

Continuation of B. FIELDS SEARCHED Item 3:
EAST: US-PGPUB; USPAT; USOCR; EPO; JPO; DERWENT; IBM_TDB
search terms: 324/754-765.ccls.; 324/754-765.ccls. and (holder and orientation)