

(19) World Intellectual Property Organization
International Bureau



(43) International Publication Date
21 December 2007 (21.12.2007)

PCT

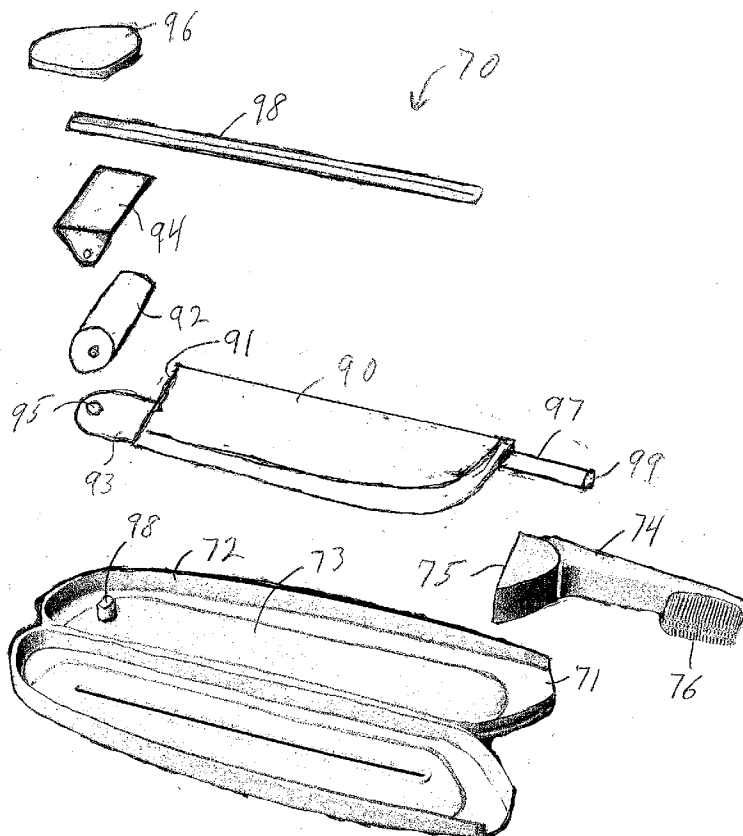
(10) International Publication Number
WO 2007/146974 A3

- (51) International Patent Classification:
B43K 5/04 (2006.01)
- (21) International Application Number:
PCT/US2007/071069
- (22) International Filing Date: 13 June 2007 (13.06.2007)
- (25) Filing Language: English
- (26) Publication Language: English
- (30) Priority Data:
60/804,612 13 June 2006 (13.06.2006) US
11/761,414 12 June 2007 (12.06.2007) US
- (71) Applicant and
(72) Inventor: GLASSMAN, Karen [US/US]; 450 East 83rd
Street, New York, NY 10028 (US).
- (72) Inventor; and
(75) Inventor/Applicant (for US only): COPELAND,
Stephan [US/US]; 55 Merbrook Lane, Merion Station, PA
19066 (US).

- (74) Agents: DINGMAN, Brian, M. et al.; 1700 West Park
Drive, Westborough, MA 01581 (US).
- (81) Designated States (unless otherwise indicated, for every
kind of national protection available): AE, AG, AL, AM,
AT, AU, AZ, BA, BB, BG, BH, BR, BW, BY, BZ, CA, CH,
CN, CO, CR, CU, CZ, DE, DK, DM, DO, DZ, EC, EE, EG,
ES, FI, GB, GD, GE, GH, GM, GT, HN, HR, HU, ID, IL,
IN, IS, JP, KE, KG, KM, KN, KP, KR, KZ, LA, LC, LK,
LR, LS, LT, LU, LY, MA, MD, ME, MG, MK, MN, MW,
MX, MY, MZ, NA, NG, NI, NO, NZ, OM, PG, PH, PL,
PT, RO, RS, RU, SC, SD, SE, SG, SK, SL, SM, SV, SY,
TJ, TM, TN, TR, TT, TZ, UA, UG, US, UZ, VC, VN, ZA,
ZM, ZW.
- (84) Designated States (unless otherwise indicated, for every
kind of regional protection available): ARIPO (BW, GH,
GM, KE, LS, MW, MZ, NA, SD, SL, SZ, TZ, UG, ZM,
ZW), Eurasian (AM, AZ, BY, KG, KZ, MD, RU, TJ, TM),
European (AT, BE, BG, CH, CY, CZ, DE, DK, EE, ES, FI,
FR, GB, GR, HU, IE, IS, IT, LT, LU, LV, MC, MT, NL, PL,
PT, RO, SE, SI, SK, TR), OAPI (BF, BJ, CF, CG, CI, CM,
GA, GN, GQ, GW, ML, MR, NE, SN, TD, TG).

[Continued on next page]

(54) Title: DENTIFRICE-DISPENSING TOOTHBRUSH



(57) Abstract: A dentifrice-dispensing toothbrush (70) having a handle (72) defining a cavity (73) that is at least partially open at one end of the handle (72), a dentifrice cartridge (90) located in the cavity (73) and defining an opening (99) located proximate the cavity opening (71), the cartridge opening (99) closed with a cap or temporary seal (101). There is a head (74) carrying brushing bristles (76) and adapted to be removably engaged with the handle (72) at the cavity opening (71). The cartridge (90) is fluidly connected to and so delivers dentifrice to the bristles (76). A roller (92) located in the handle cavity (73) is manually moved to compress the cartridge (90) and so dispense dentifrice; the roller (92) is moved through a roller actuator mechanism (96, 94) coupled to the roller (92) and extending outwardly from the handle (72).

WO 2007/146974 A3



Published:

- *with international search report*
- *before the expiration of the time limit for amending the claims and to be republished in the event of receipt of amendments*

(88) Date of publication of the international search report:
12 June 2008

INTERNATIONAL SEARCH REPORT

International application No.

PCT/US07/71069

A. CLASSIFICATION OF SUBJECT MATTER
 IPC: **B43K 5/04(2006.01)**

USPC: 401/155
 According to International Patent Classification (IPC) or to both national classification and IPC

B. FIELDS SEARCHED

Minimum documentation searched (classification system followed by classification symbols)
 U.S. : 401/155,152,270

Documentation searched other than minimum documentation to the extent that such documents are included in the fields searched

Electronic data base consulted during the international search (name of data base and, where practicable, search terms used)

C. DOCUMENTS CONSIDERED TO BE RELEVANT

Category *	Citation of document, with indication, where appropriate, of the relevant passages	Relevant to claim No.
X --- Y	US 5,827,001 A (Taghavi-Khanghah) 27 October 1998 (27.10.1998), column 3, lines 47-50; column 4, lines 3-5; column 3, lines 32-37 and figures 1 and 4	1-6, 10-12 ----- 7-9, 13
Y	US 6,059,106 A (Baker et al.) 9 May 2000 (9.5.2000), column 3, lines 7-27 and figures 3 and 8	7, 17
Y	US 5,575,380 (Imai) 19 November 1996 (19.11.1996), Abstract and figures 1-3	13
X --- Y	US 2004/0237995 A1 (Mualem et al.) 2 December 2004 (2.12.2004), paragraph 80, lines 14-17, paragraph 88, lines 1-2, paragraph 86	14-16, 18-20 ----- 8, 9, 17

Further documents are listed in the continuation of Box C. See patent family annex.

* Special categories of cited documents:	"T"	later document published after the international filing date or priority date and not in conflict with the application but cited to understand the principle or theory underlying the invention
"A" document defining the general state of the art which is not considered to be of particular relevance	"X"	document of particular relevance; the claimed invention cannot be considered novel or cannot be considered to involve an inventive step when the document is taken alone
"E" earlier application or patent published on or after the international filing date	"Y"	document of particular relevance; the claimed invention cannot be considered to involve an inventive step when the document is combined with one or more other such documents, such combination being obvious to a person skilled in the art
"L" document which may throw doubts on priority claim(s) or which is cited to establish the publication date of another citation or other special reason (as specified)	"&"	document member of the same patent family
"O" document referring to an oral disclosure, use, exhibition or other means		
"P" document published prior to the international filing date but later than the priority date claimed		

Date of the actual completion of the international search: 26 February 2008 (26.02.2008) Date of mailing of the international search report: 29 APR 2008

Name and mailing address of the ISA/US: Mail Stop PCT, Attn: ISA/US, Commissioner for Patents, P.O. Box 1450, Alexandria, Virginia 22313-1450, Facsimile No. (571) 273-3201

Authorized officer: Greg Huson, Telephone No. 571-272-3700