



- (51) International Patent Classification:
A47F 5/01 (2006.01) A61B 42/40 (2016.01)
A61B 50/20 (2016.01)
- (21) International Application Number:
PCT/EP2016/059545
- (22) International Filing Date:
28 April 2016 (28.04.2016)
- (25) Filing Language: English
- (26) Publication Language: English
- (30) Priority Data:
1551116-5 27 August 2015 (27.08.2015) SE
- (71) Applicant: HARRY HOLMS AB [SE/SE]; Rörläggärvägen 7, 684 30 Munkfors (SE).
- (72) Inventors: HOLM, Jörgen; Bliavägen 113, 684 93 Ransäter (SE). FALKSÄTER, Rickard; Bäckarnavägen 4, 684 92 Munkfors (SE).

- (74) Agent: JOHANSSON, Lars E; Hynell Patenttjänst AB, P.O. Box 138, 683 23 Hagfors (SE).
- (81) Designated States (unless otherwise indicated, for every kind of national protection available): AE, AG, AL, AM, AO, AT, AU, AZ, BA, BB, BG, BH, BN, BR, BW, BY, BZ, CA, CH, CL, CN, CO, CR, CU, CZ, DE, DK, DM, DO, DZ, EC, EE, EG, ES, FI, GB, GD, GE, GH, GM, GT, HN, HR, HU, ID, IL, IN, IR, IS, JP, KE, KG, KN, KP, KR, KZ, LA, LC, LK, LR, LS, LU, LY, MA, MD, ME, MG, MK, MN, MW, MX, MY, MZ, NA, NG, NI, NO, NZ, OM, PA, PE, PG, PH, PL, PT, QA, RO, RS, RU, RW, SA, SC, SD, SE, SG, SK, SL, SM, ST, SV, SY, TH, TJ, TM, TN, TR, TT, TZ, UA, UG, US, UZ, VC, VN, ZA, ZM, ZW.
- (84) Designated States (unless otherwise indicated, for every kind of regional protection available): ARIPO (BW, GH, GM, KE, LR, LS, MW, MZ, NA, RW, SD, SL, ST, SZ, TZ, UG, ZM, ZW), Eurasian (AM, AZ, BY, KG, KZ, RU, TJ, TM), European (AL, AT, BE, BG, CH, CY, CZ, DE, DK, EE, ES, FI, FR, GB, GR, HR, HU, IE, IS, IT, LT, LU, LV, MC, MK, MT, NL, NO, PL, PT, RO, RS, SE, SI, SK,

[Continued on next page]

(54) Title: HOLDING ARRANGEMENT FOR PACKAGES

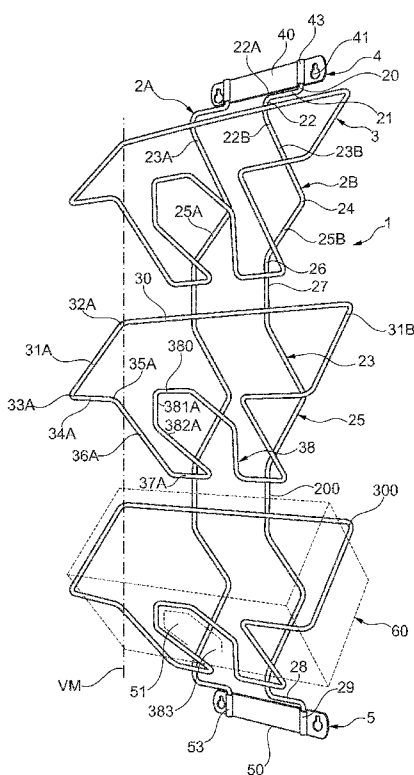


Fig. 1

(57) Abstract: The invention relates to a method and a holding arrangement for packages for products, for example disposable articles, comprising a frame structure (2A, 2B) which comprises, or is fixedly or detachably connected to, a mounting element (4, 5) for substantially vertical mounting of the holding arrangement (1) thereby having the frame structure (2A, 2B) extending in a vertical mounting plane (VM), one or more holding members (3) which are fixedly or detachably connected to the frame structure (2A, 2B), wherein each holding member (3) is adapted to assist in receiving and retaining a parallelepiped package so that access is admitted to products or articles in the package through an opening therein, wherein further each holding element (3) comprises three support sections (23A, 23B; 25A, 25B, 30; 31A; 31B; 36A, 36B) which are arranged to, in one plane each, to form support for a package, and leaving one top section open for introduction and removal of the package, wherein said frame structure (2A, 2B), at least partly, forms a back section (23A, 23B) and a bottom section (25A, 25B), wherein said bottom section (25A, 25B) is positioned forming an angle (a) in relation to a horizontal mounting plane (HM) that is perpendicular to said vertical mounting plane (VM), arranged to position a package (60) to have the side provided with an opening (61) be located in a downwards facing plane in a mounted state of the holding arrangement.





SM, TR), OAPI (BF, BJ, CF, CG, CI, CM, GA, GN, GQ,
GW, KM, ML, MR, NE, SN, TD, TG).

— *before the expiration of the time limit for amending the
claims and to be republished in the event of receipt of
amendments (Rule 48.2(h))*

Published:

— *with international search report (Art. 21(3))*

(88) Date of publication of the international search report:

27 July 2017

INTERNATIONAL SEARCH REPORT

International application No
PCT/EP2016/059545

A. CLASSIFICATION OF SUBJECT MATTER
INV. A47F5/01 A61B50/20 A61B42/40
ADD.
According to International Patent Classification (IPC) or to both national classification and IPC

B. FIELDS SEARCHED
Minimum documentation searched (classification system followed by classification symbols)
A47B A47F A61B

Documentation searched other than minimum documentation to the extent that such documents are included in the fields searched

Electronic data base consulted during the international search (name of data base and, where practicable, search terms used)
EPO-Internal, WPI Data

C. DOCUMENTS CONSIDERED TO BE RELEVANT

Category*	Citation of document, with indication, where appropriate, of the relevant passages	Relevant to claim No.
X	WO 2014/148967 A1 (SVENSKA GOOD MEDICAL AB [SE]) 25 September 2014 (2014-09-25) cited in the application page 5, line 31 - page 14, line 13; figures 1-7	1-15
X	----- US 955 589 A (FASSIO JOHN D [US]) 19 April 1910 (1910-04-19) page 1, line 53 - page 2, line 41; figures 1-5	1-15
A	----- FR 1 569 403 A (UNDERBERG GMBH) 30 May 1969 (1969-05-30) page 3, line 34 - page 4, line 17; figures 1-3 ----- -/--	1-15

Further documents are listed in the continuation of Box C.

See patent family annex.

* Special categories of cited documents :

- "A" document defining the general state of the art which is not considered to be of particular relevance
- "E" earlier application or patent but published on or after the international filing date
- "L" document which may throw doubts on priority claim(s) or which is cited to establish the publication date of another citation or other special reason (as specified)
- "O" document referring to an oral disclosure, use, exhibition or other means
- "P" document published prior to the international filing date but later than the priority date claimed

- "T" later document published after the international filing date or priority date and not in conflict with the application but cited to understand the principle or theory underlying the invention
- "X" document of particular relevance; the claimed invention cannot be considered novel or cannot be considered to involve an inventive step when the document is taken alone
- "Y" document of particular relevance; the claimed invention cannot be considered to involve an inventive step when the document is combined with one or more other such documents, such combination being obvious to a person skilled in the art
- "&" document member of the same patent family

Date of the actual completion of the international search 19 June 2017	Date of mailing of the international search report 28/06/2017
---	--

Name and mailing address of the ISA/ European Patent Office, P.B. 5818 Patentlaan 2 NL - 2280 HV Rijswijk Tel. (+31-70) 340-2040, Fax: (+31-70) 340-3016	Authorized officer Klintebäck, Daniel
--	--

INTERNATIONAL SEARCH REPORT

International application No
PCT/EP2016/059545

C(Continuation). DOCUMENTS CONSIDERED TO BE RELEVANT		
Category*	Citation of document, with indication, where appropriate, of the relevant passages	Relevant to claim No.
A	US 2 560 896 A (RUBENSTEIN HARRY J) 17 July 1951 (1951-07-17) column 1, line 49 - column 3, line 44; figures 1-3 -----	1-15

INTERNATIONAL SEARCH REPORT

Information on patent family members

International application No

PCT/EP2016/059545

Patent document cited in search report	Publication date	Patent family member(s)	Publication date	
WO 2014148967	A1	25-09-2014	EP 2975970 A1	27-01-2016
			SE 1350339 A1	09-09-2014
			US 2016278518 A1	29-09-2016
			WO 2014148967 A1	25-09-2014

US 955589	A	19-04-1910	NONE	

FR 1569403	A	30-05-1969	AT 285103 B	12-10-1970
			BE 716879 A	02-12-1968
			CH 472870 A	31-05-1969
			DE 1971788 U	02-11-1967
			FR 1569403 A	30-05-1969
			LU 56308 A1	30-09-1968
			NL 6808198 A	24-12-1968

US 2560896	A	17-07-1951	NONE	
