



US00D397329S

United States Patent [19]

[11] Patent Number: Des. 397,329

Vackar

[45] Date of Patent: **Aug. 25, 1998

[54] **OUTER SURFACE PORTION OF AN ELECTRONIC ENCLOSURE**

[75] Inventor: **Mark A. Vackar**, Houston, Tex.

[73] Assignee: **Toshiba International Corporation**, Houston, Tex.

[**] Term: **14 Years**

[21] Appl. No.: **75,341**

[22] Filed: **Aug. 25, 1997**

[51] **LOC (6) CL** **14-02**

[52] **U.S. Cl.** **D14/114**

[58] **Field of Search** D14/100, 102, D14/107, 109, 114; D13/162, 184, 199; 361/600, 679, 622, 724-7; 360/97.01, 99.12; 312/223.1, 223.2, 223.3

D. 375,944	11/1996	Franz et al. .	
D. 376,137	12/1996	MacMurtrie et al. .	
D. 379,623	6/1997	Wu .	
D. 379,802	6/1997	Collins et al. .	
D. 381,318	7/1997	Sharp et al. .	
D. 382,859	8/1997	Alfonso et al. .	
D. 383,119	9/1997	Mousa .	
D. 384,042	9/1997	Antonczak et al.	D14/100
D. 390,202	2/1998	Goto	D14/100
D. 390,540	2/1998	Brenner et al.	D14/100
4,971,563	11/1990	Wells, III .	
5,124,885	6/1992	Liu .	
5,248,193	9/1993	Schlemmer .	
5,397,176	3/1995	Allen et al. .	
5,450,285	9/1995	Schlemmer .	
5,549,375	8/1996	Pagliaccio .	
5,567,068	10/1996	Egashira et al. .	
5,568,611	10/1996	Khatri et al. .	
5,593,219	1/1997	Ho .	

[56] **References Cited**

U.S. PATENT DOCUMENTS

D. 309,727	8/1990	Stead	D14/100
D. 310,825	9/1990	Crease et al.	D14/100
D. 325,195	4/1992	Tanaka	D14/100
D. 358,135	5/1995	Chiodo et al.	D14/100
D. 358,581	5/1995	Daniels .	
D. 361,327	8/1995	Yang .	
D. 366,462	1/1996	Hill et al. .	
D. 366,464	1/1996	Martin .	
D. 369,792	5/1996	Paterson et al. .	
D. 370,210	5/1996	Cindrich et al.	D14/100
D. 370,211	5/1996	Lee .	
D. 370,902	6/1996	Reiter .	
D. 371,351	7/1996	Lai .	
D. 372,899	8/1996	Swansey et al. .	
D. 374,431	10/1996	Tennant .	

Primary Examiner—M. H. Tung
Attorney, Agent, or Firm—Banner & Witcoff, Ltd.

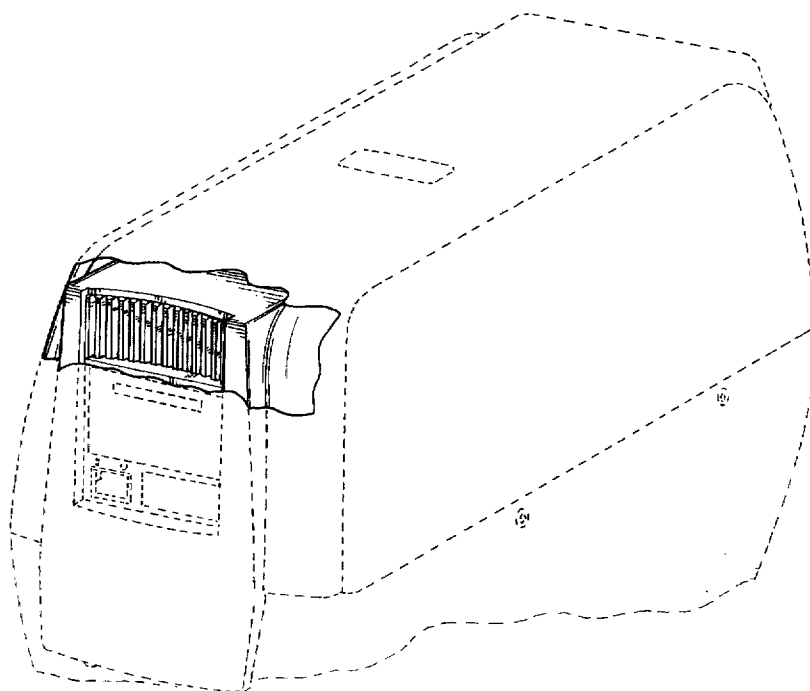
[57] **CLAIM**

The ornamental design for an outer surface portion of an electronic enclosure, as shown and described.

DESCRIPTION

FIG. 1 is a perspective view of an outer surface portion of an electronic enclosure showing my new design; FIG. 2 is a front elevational view thereof; FIG. 3 is a top plan view thereof; FIG. 4 is a left side elevational view thereof; and, FIG. 5 is a right side elevational view thereof. The broken line drawing of a portion of an electronic enclosure in all figure views is for illustrative purposes only and forms no part of the claimed design.

1 Claim, 4 Drawing Sheets



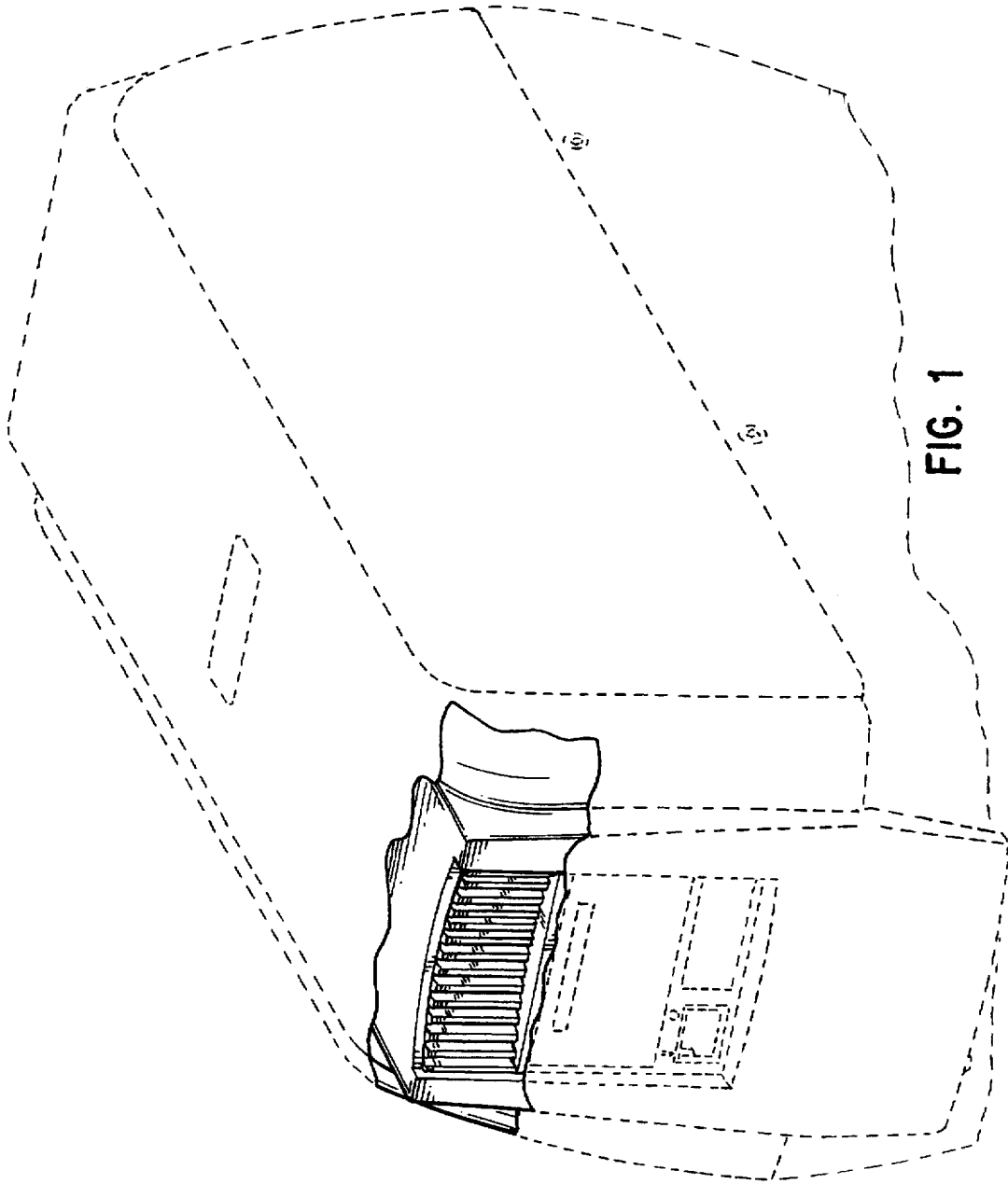


FIG. 1

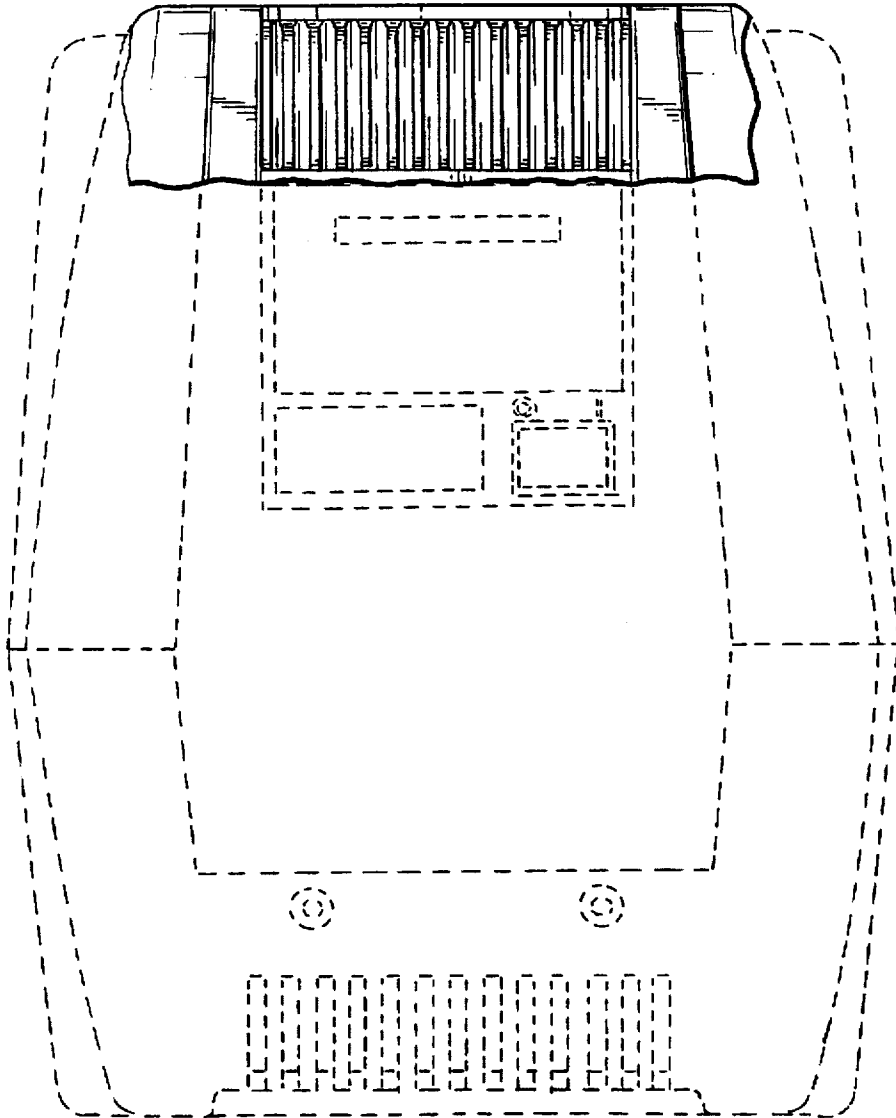


FIG. 2

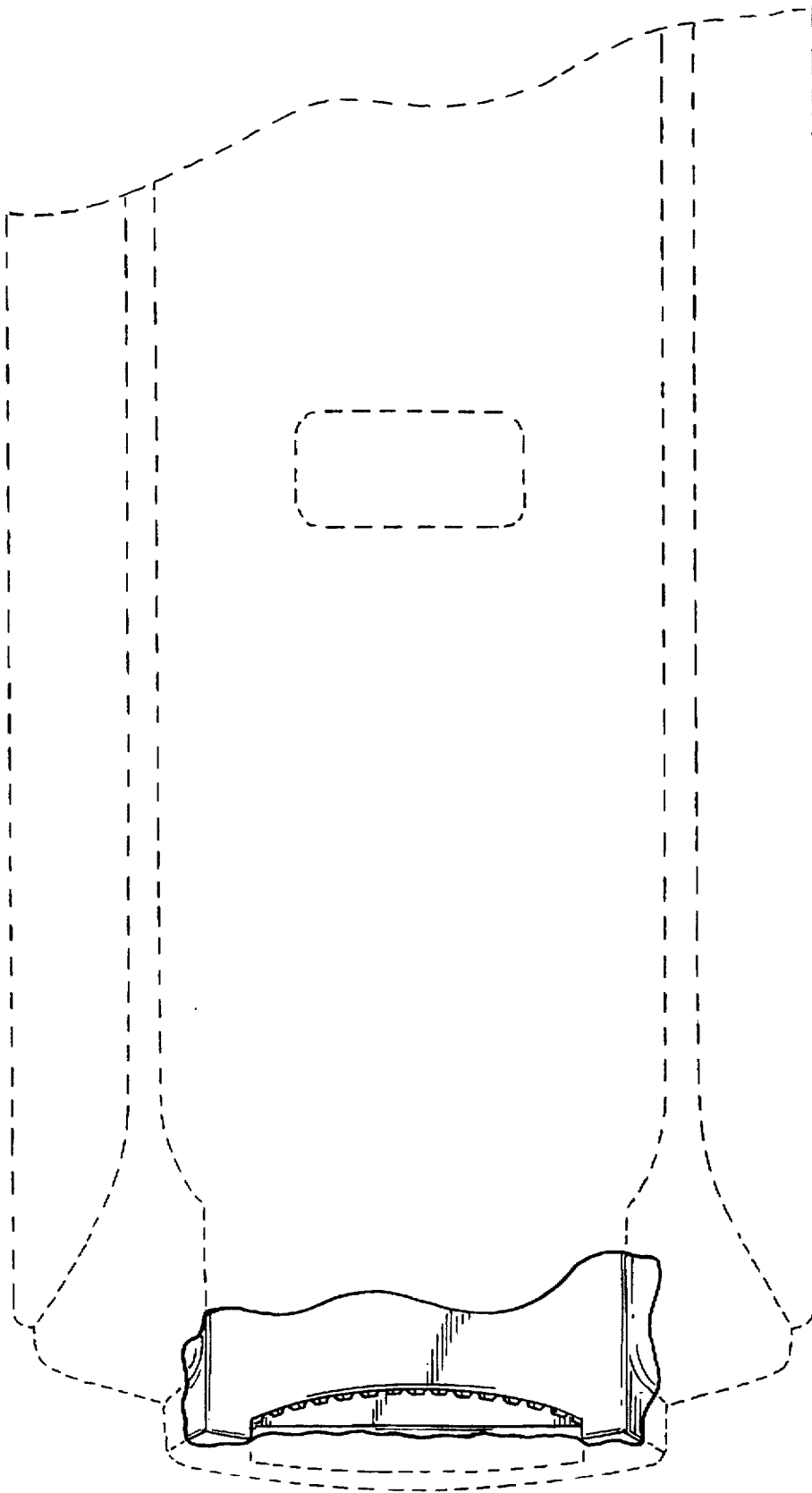


FIG. 3

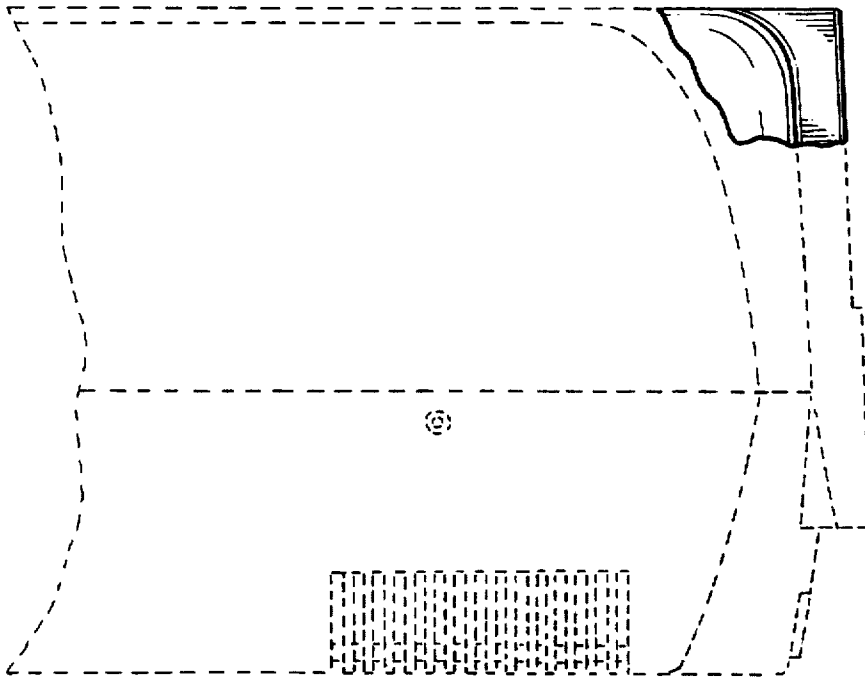


FIG. 4

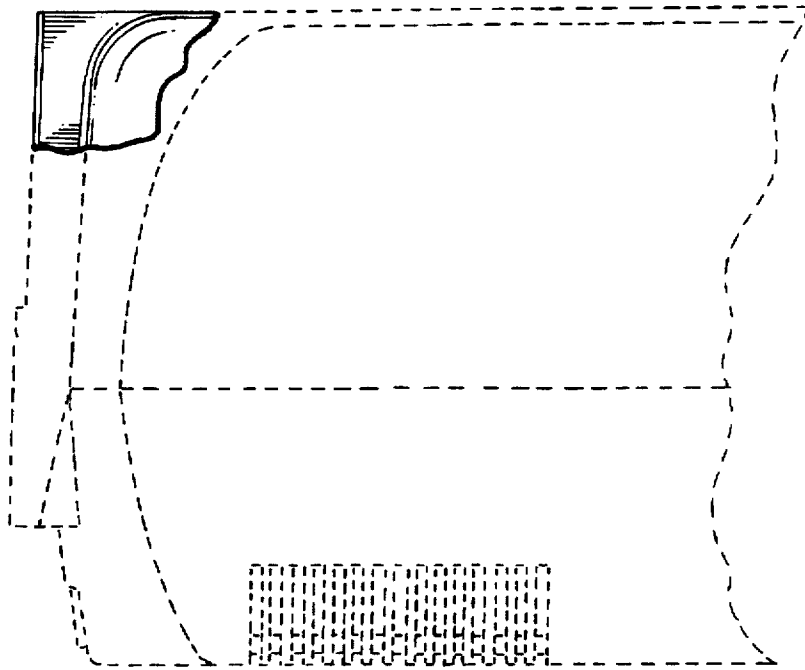


FIG. 5