



US00D971350S

(12) **United States Design Patent**
Fleischman et al.

(10) **Patent No.:** **US D971,350 S**

(45) **Date of Patent:** **** Nov. 29, 2022**

(54) **T BAR ROW POWER RACK ATTACHMENT**

(71) Applicant: **Setsmart LLC**, Brooklyn, NY (US)

(72) Inventors: **Mindy Fleischman**, Brooklyn, NY (US); **Samuel Stern**, Brooklyn, NY (US)

(73) Assignee: **Setsmart LLC**, Brooklyn, NY (US)

(**) Term: **15 Years**

(21) Appl. No.: **29/846,836**

(22) Filed: **Jul. 19, 2022**

(51) **LOC (13) Cl.** **21-02**

(52) **U.S. Cl.**
USPC **D21/686**

(58) **Field of Classification Search**
USPC D21/686-694
CPC A63B 26/00; A63B 5/00; A63B 21/00047
See application file for complete search history.

(56) **References Cited**

U.S. PATENT DOCUMENTS

5,011,139	A *	4/1991	Towley, III	A63B 21/0628
					482/41
D384,710	S	10/1997	Pahel		
D401,985	S *	12/1998	Wheeler	D21/686
D480,772	S *	10/2003	Washington	D21/686
D495,380	S *	8/2004	Ceppo	D21/686
D495,381	S *	8/2004	Ceppo	D21/686
9,017,238	B2 *	4/2015	Meredith	A63B 23/1218
					482/142
9,289,646	B2	3/2016	Tully		
10,376,727	B2 *	8/2019	Fitzpatrick	A63B 23/1227

D924,988	S *	7/2021	Barton	D21/679
D931,957	S	9/2021	Rodriguez		
D955,511	S *	6/2022	Carmichael	D21/688
D956,890	S *	7/2022	Scott	D21/686
D961,024	S *	8/2022	Sneathen	D21/686
D961,700	S *	8/2022	Swallows	D21/686
D963,083	S *	9/2022	Dunahay	D21/694

* cited by examiner

Primary Examiner — Katrina A Betton

(74) *Attorney, Agent, or Firm* — Bochner IP, PLLC;
Andrew D. Bochner

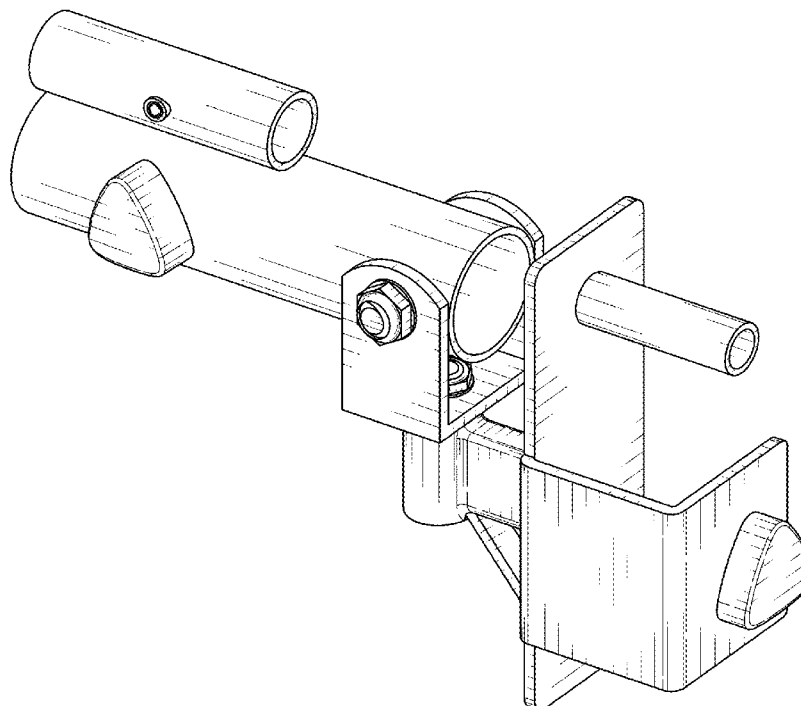
(57) **CLAIM**

The ornamental design for a T bar row power rack attachment, as shown and described.

DESCRIPTION

FIG. 1 is a top, rear, right side perspective view; FIG. 2 is a right side view thereof; FIG. 3 is a left side view thereof; FIG. 4 is a front view thereof; FIG. 5 is a rear view thereof; FIG. 6 is a top view thereof; FIG. 7 is a bottom thereof; and, FIG. 8 is an environmental top, rear, right side perspective view thereof. In the drawings, the broken lines are for the purpose of illustrating environment only, and form no part of the claimed design.

1 Claim, 6 Drawing Sheets



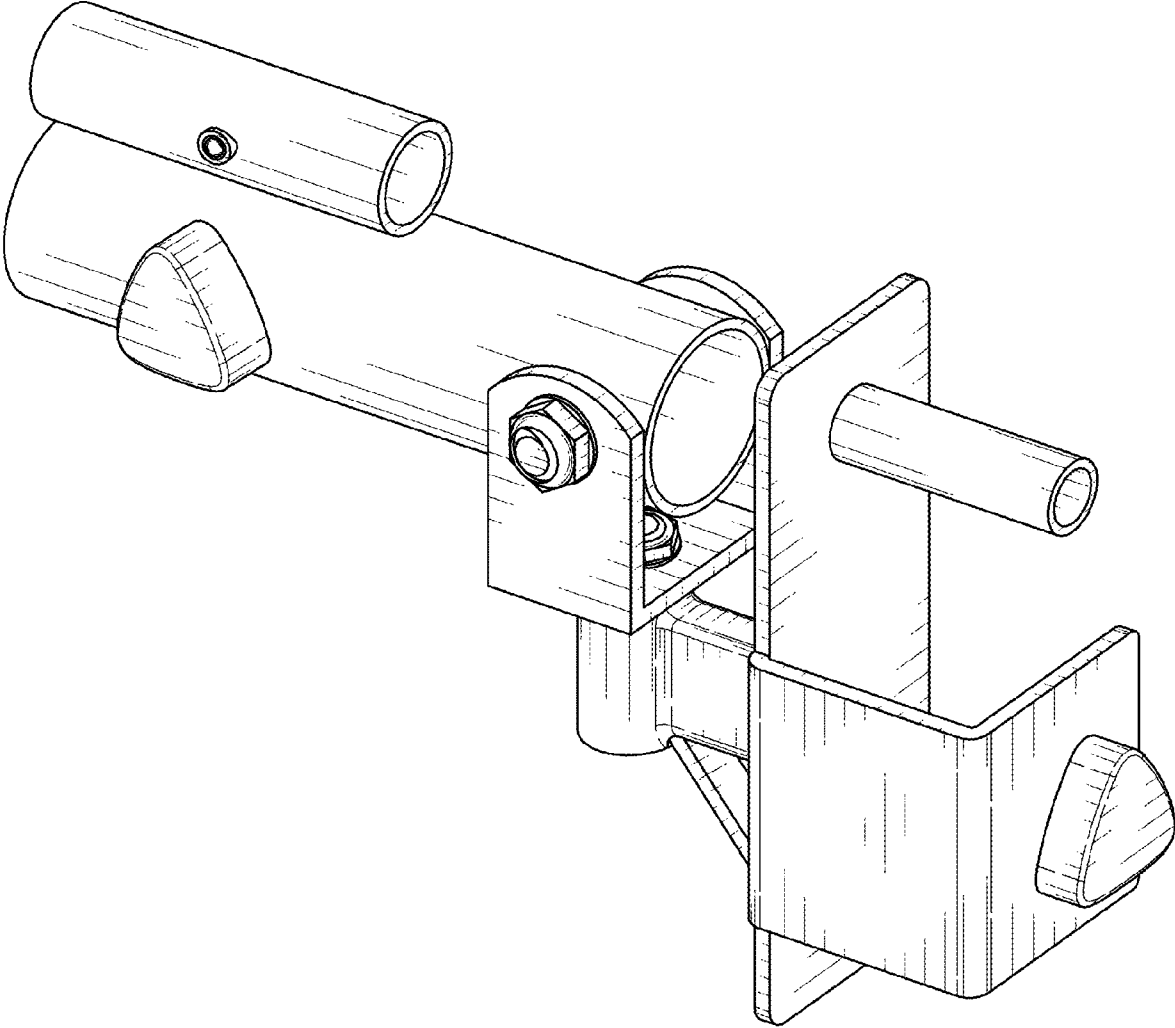


FIG. 1

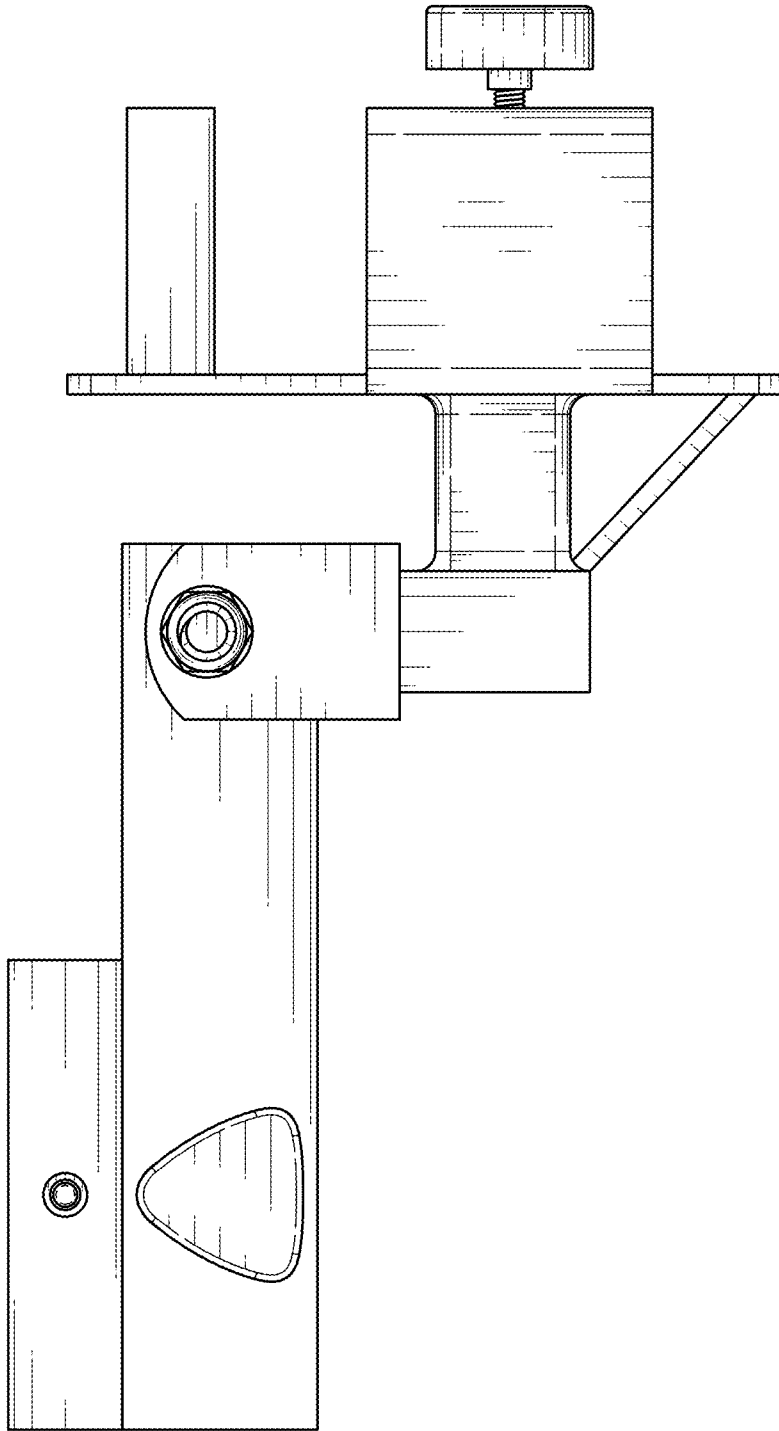


FIG. 2

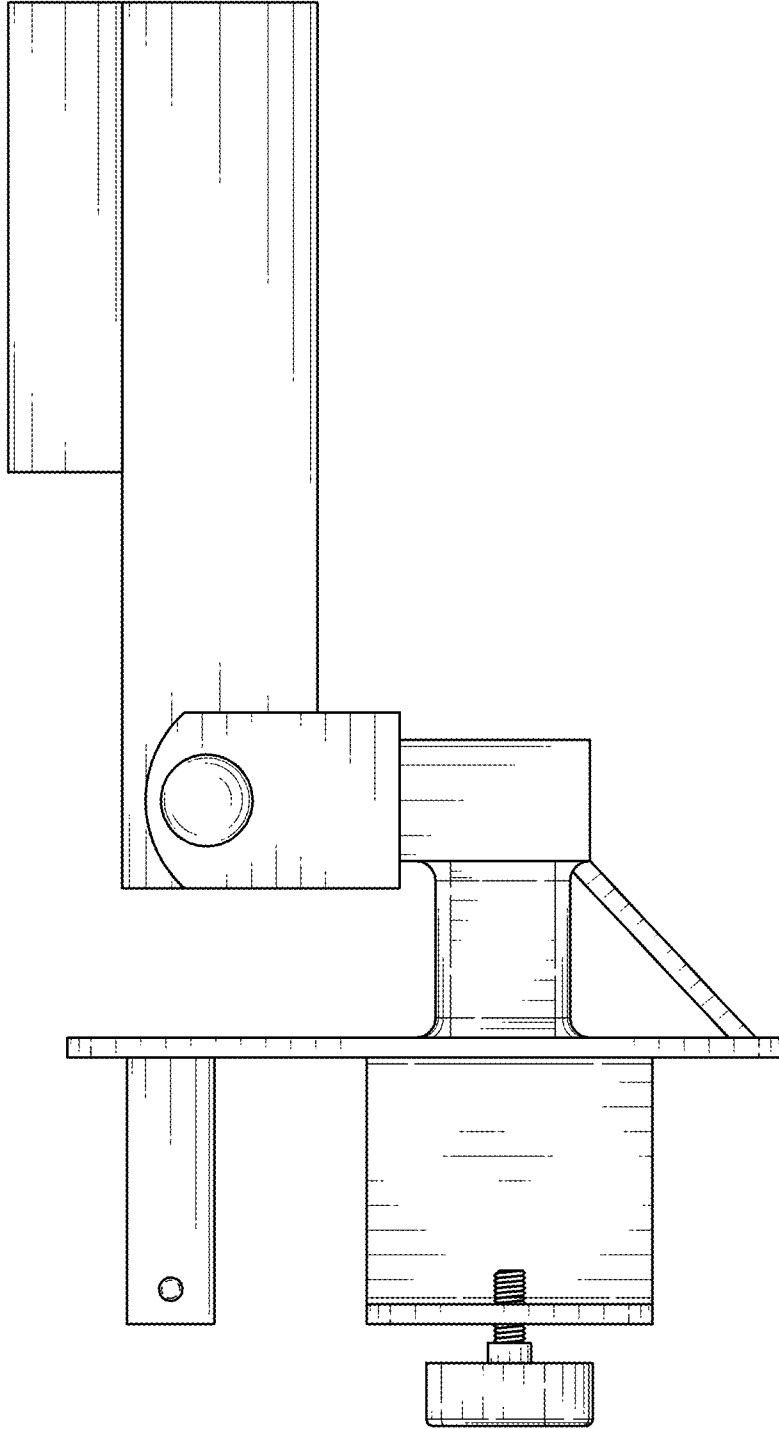


FIG. 3

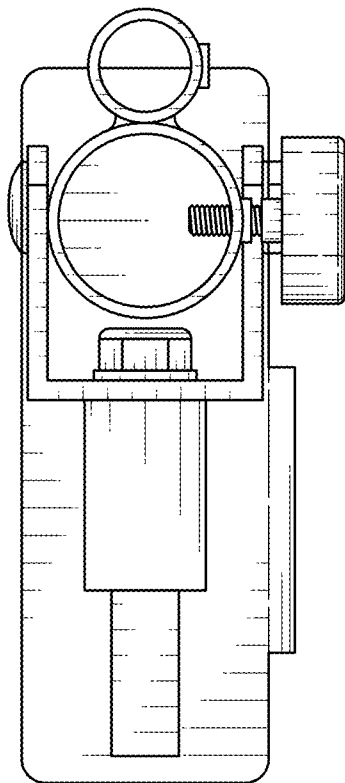


FIG. 4

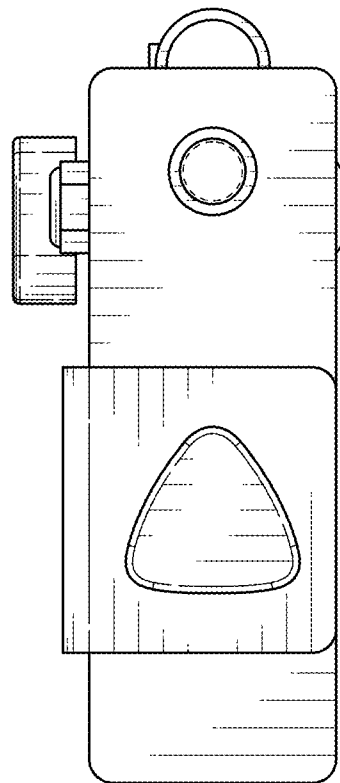


FIG. 5

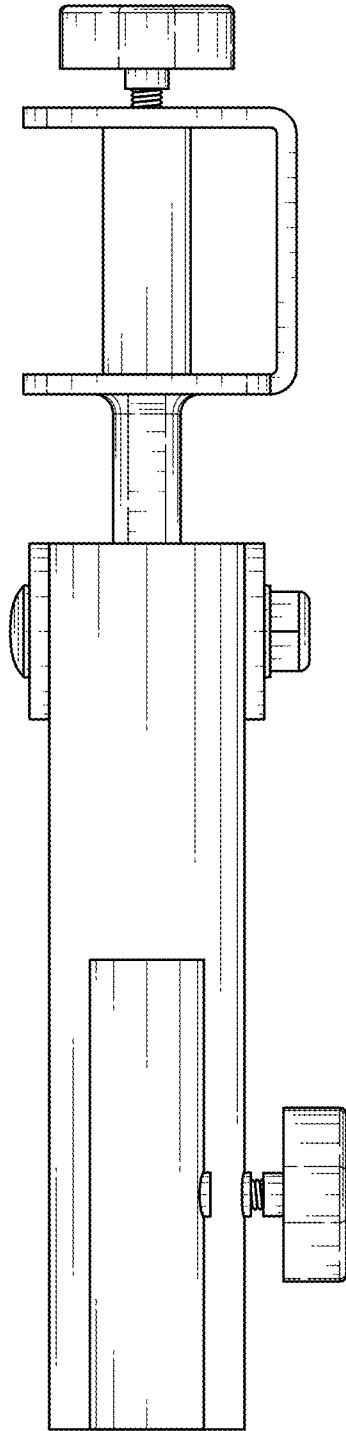


FIG. 6

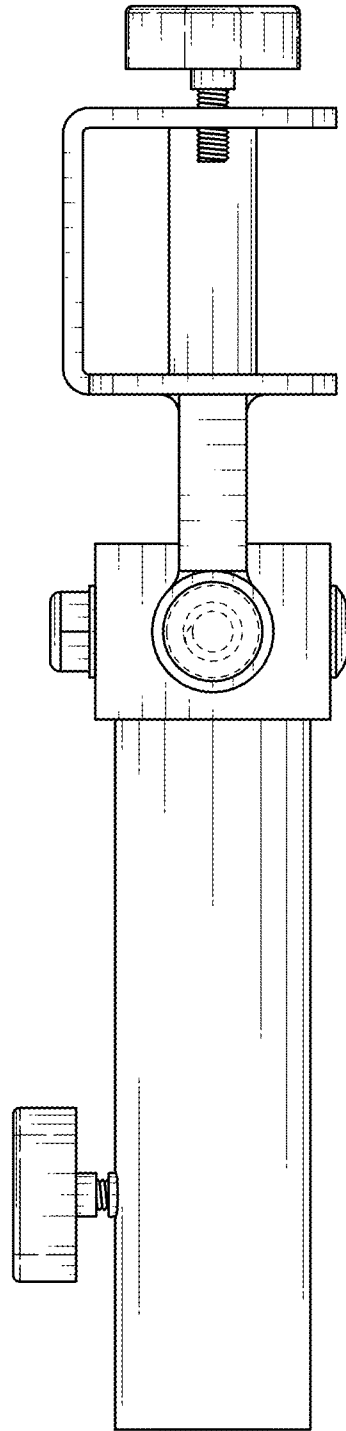


FIG. 7

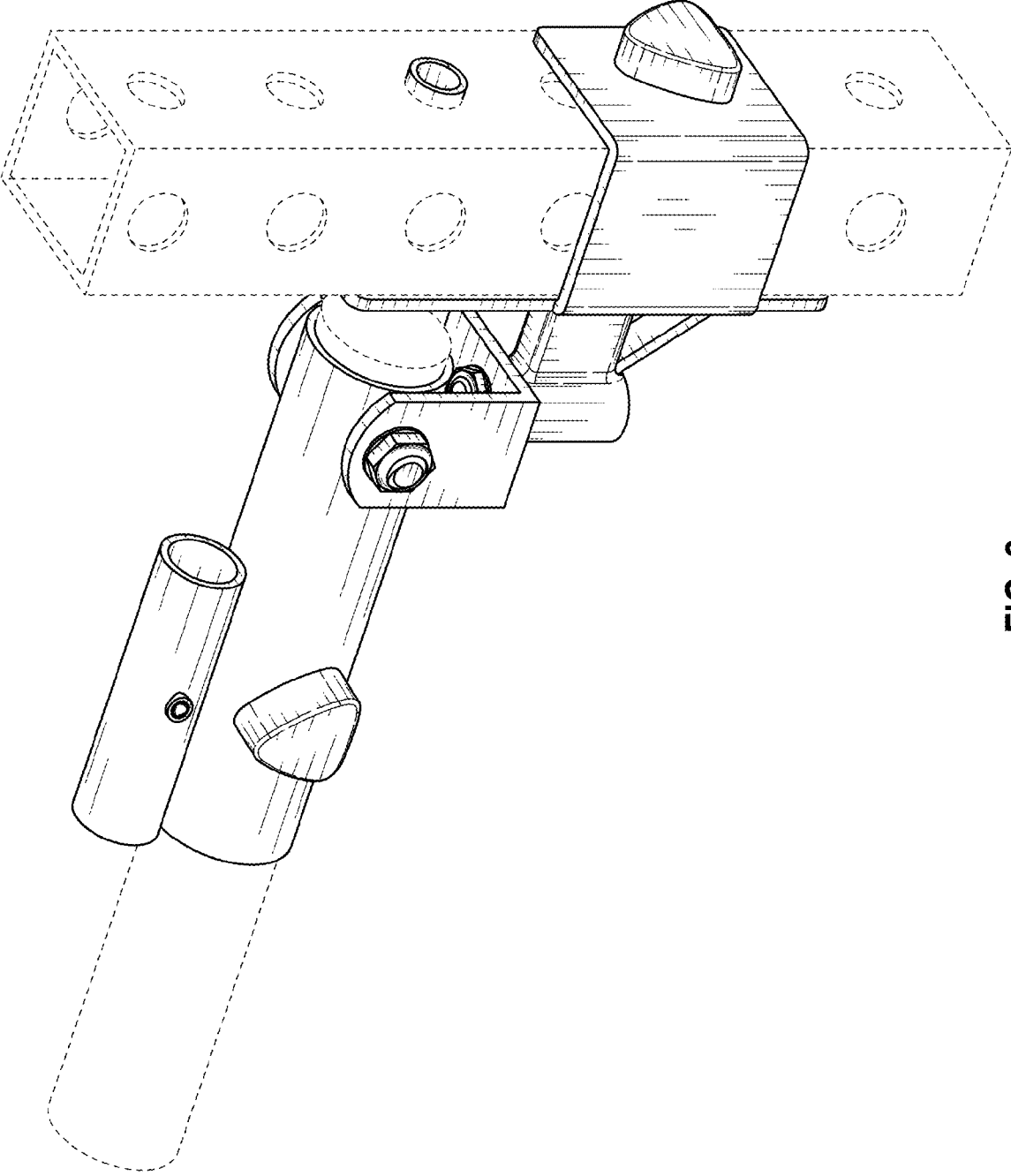


FIG. 8