



US0D1027115S

(12) **United States Design Patent**  
**Hanson**

(10) **Patent No.:** **US D1,027,115 S**

(45) **Date of Patent:** **\*\* May 14, 2024**

(54) **WATER FILTER**

(71) Applicant: **Electrolux Home Products, Inc.**,  
Charlotte, NC (US)

(72) Inventor: **Josh Hanson**, Huntersville, NC (US)

(73) Assignee: **Electrolux Home Products, Inc.**,  
Charlotte, NC (US)

(\*\*) Term: **15 Years**

(21) Appl. No.: **29/848,001**

(22) Filed: **Jul. 29, 2022**

(51) **LOC (14) Cl.** ..... **23-01**

(52) **U.S. Cl.**  
USPC ..... **D23/209**

(58) **Field of Classification Search**  
USPC ..... D23/209, 235, 341, 358, 363-365;  
D15/5  
CPC .... B01D 46/0002; B01D 46/10; F02M 35/04;  
F02M 35/10; F02M 35/024  
See application file for complete search history.

(56) **References Cited**

**U.S. PATENT DOCUMENTS**

D679,779 S *	4/2013	Reid	.....	D23/209
D750,738 S *	3/2016	Baird	.....	D23/209
D762,812 S *	8/2016	Branscomb	.....	D23/209
D776,237 S *	1/2017	Dong	.....	D23/207
D780,887 S *	3/2017	Huda	.....	D23/209
D788,880 S *	6/2017	Zou	.....	D23/209
D792,943 S *	7/2017	Zou	.....	D23/209
D794,749 S *	8/2017	Zou	.....	D23/209
D794,750 S *	8/2017	Zou	.....	D23/209
D795,995 S *	8/2017	Zou	.....	D23/209
D795,997 S *	8/2017	Zou	.....	D23/209
D798,997 S *	10/2017	Zou	.....	D23/209
D807,988 S *	1/2018	An	.....	D23/209
D831,154 S *	10/2018	Campbell	.....	D23/209

D831,786 S *	10/2018	Zou	.....	D23/209
D831,788 S *	10/2018	Zou	.....	D23/209
D845,433 S *	4/2019	Zou	.....	D23/209
D845,434 S *	4/2019	Zou	.....	D23/209
D856,473 S *	8/2019	Zou	.....	D23/209

(Continued)

**OTHER PUBLICATIONS**

Icepure Pro NSF 53&42 Certified UKF8001 Refrigerator Water Filter, Feb. 1, 2018, Amazon.com May 8, 2021. URL: <https://www.amazon.com/dp/B079HW5FVJ> (Year: 2018).\*

(Continued)

*Primary Examiner* — Keith J Wilson

(74) *Attorney, Agent, or Firm* — Banner & Witcoff, Ltd.

(57) **CLAIM**

The ornamental design for a water filter, as shown and described.

**DESCRIPTION**

FIG. 1 is a front top perspective view of a water filter showing my new design;

FIG. 2 is a front view thereof, the rear view being identical thereto;

FIG. 3 is a left side view thereof, the right side view being identical thereto;

FIG. 4 is a bottom view thereof;

FIG. 5 is a front bottom perspective view thereof;

FIG. 6 is an enlarged bottom perspective view of the water filter cap of the water filter of FIGS. 1-5 shown in isolation;

FIG. 7 is an enlarged front view thereof, the rear view being identical thereto;

FIG. 8 is an enlarged left side view thereof, the right side view being identical thereto;

FIG. 9 is an enlarged bottom view thereof; and,

FIG. 10 is an enlarged top perspective view thereof.

In FIGS. 1-5, the broken lines depicting the remainder of the water filter form no part of the claimed design.

**1 Claim, 10 Drawing Sheets**



(56)

References Cited

U.S. PATENT DOCUMENTS

D856,474 S \* 8/2019 Zou ..... D23/209  
 D857,840 S \* 8/2019 Lu ..... D23/209  
 D857,841 S \* 8/2019 Lu ..... D23/209  
 D858,691 S \* 9/2019 Zou ..... D23/209  
 D858,692 S \* 9/2019 Zou ..... D23/209  
 D858,693 S \* 9/2019 Zou ..... D23/209  
 D858,694 S \* 9/2019 Zou ..... D23/209  
 D861,127 S \* 9/2019 Lu ..... D23/209  
 D865,119 S \* 10/2019 An ..... D23/209  
 D875,209 S \* 2/2020 Zou ..... D23/209  
 D878,517 S \* 3/2020 Zou ..... D23/209  
 D883,426 S \* 5/2020 Lu ..... D23/209  
 D886,940 S \* 6/2020 Zou ..... D23/209  
 D886,941 S \* 6/2020 Zou ..... D23/209  
 D890,296 S \* 7/2020 Chandler ..... D23/209  
 D891,577 S \* 7/2020 Zou ..... D23/209  
 D892,264 S \* 8/2020 Zou ..... D23/209  
 D894,333 S \* 8/2020 Huaping ..... D23/209  
 D894,336 S \* 8/2020 Huaping ..... D23/209

D894,337 S \* 8/2020 Huaping ..... D23/209  
 D899,563 S \* 10/2020 Wei ..... D23/209  
 D946,702 S \* 3/2022 McCollough ..... D23/209  
 11,413,560 B2 \* 8/2022 McCollough ..... C02F 1/003  
 D968,559 S \* 11/2022 Jackson ..... D23/209  
 D969,270 S \* 11/2022 McCollough ..... D23/209  
 D982,132 S \* 3/2023 Shchohla ..... D23/209  
 2022/0379248 A1 \* 12/2022 Machado ..... B01D 35/306

OTHER PUBLICATIONS

Purespringsfilter, May 28, 2018, Amazon.com, May 11, 2021, URL: <https://www.amazon.com/Tier1-Comparable-Replacement-EveryDrop-Refrigerator/dp/B07C97MYN6> (Year: 2018).\*

Clearchoice replacement filter, May 25, 2019, Amazon.com. May 11, 2021. URL: <https://www.amazon.com/dp/B07S9M6KZG> (Year: 2019).\*

Tier1fridgefilter, Apr. 25, 2018, Amazon.com, May 11, 2021. URL: <https://www.amazon.com/Tier1-Comparable-Replacement-EveryDrop-Refrigerator/dp/B07C97MYN6> (Year: 2018).\*

\* cited by examiner

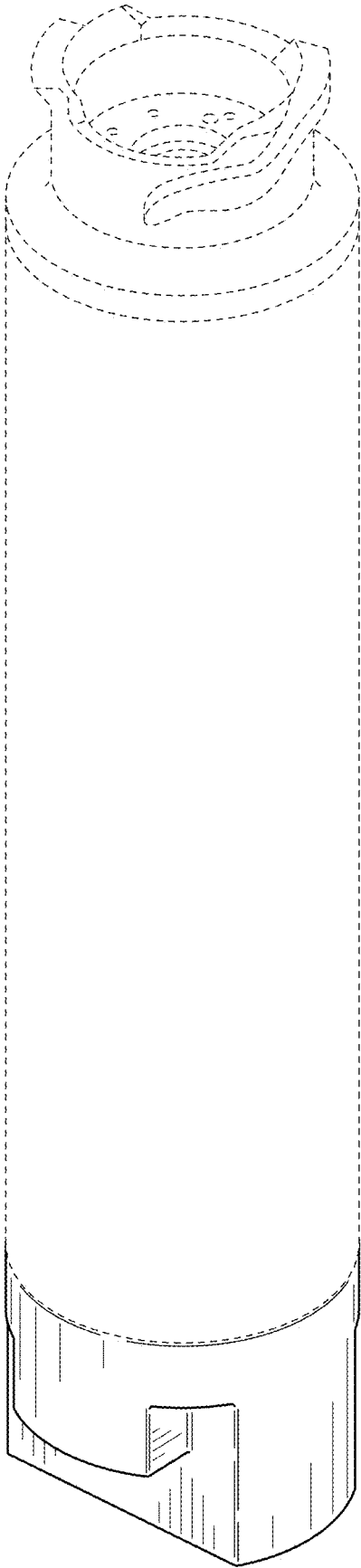


FIG. 1

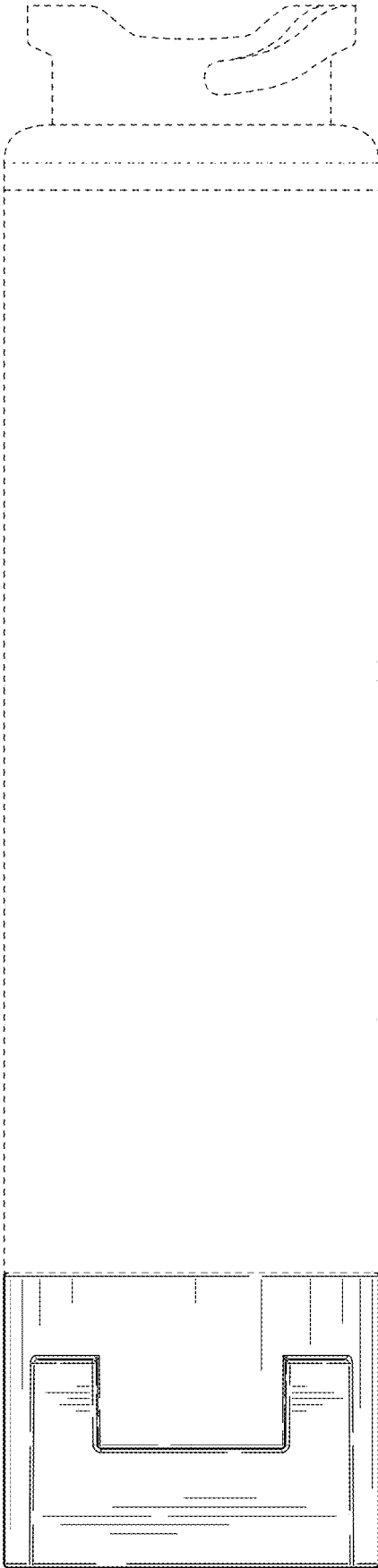


FIG. 2



FIG. 3

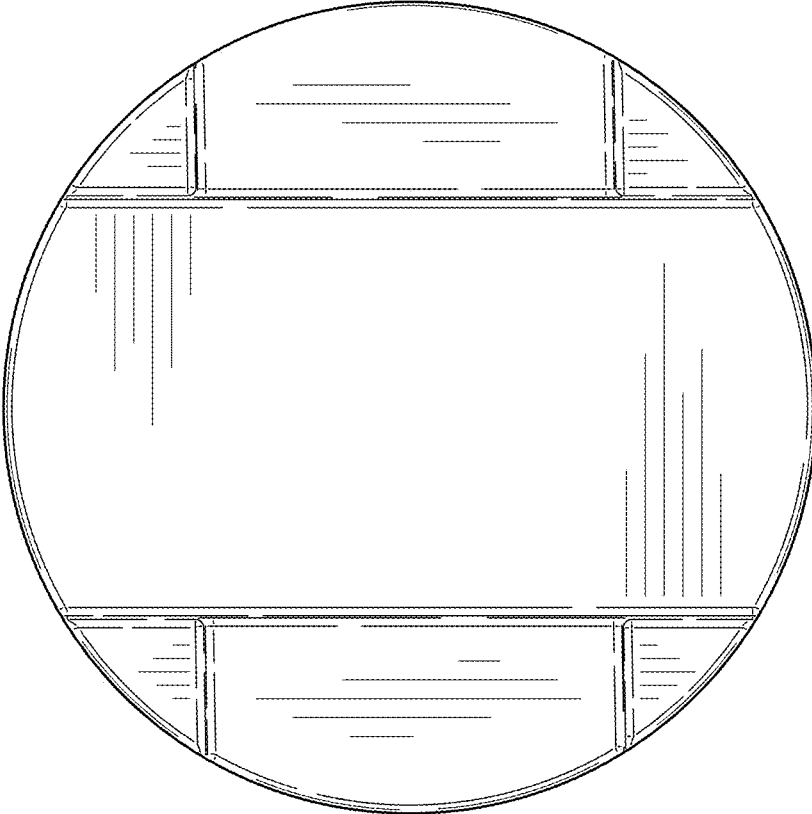


FIG. 4

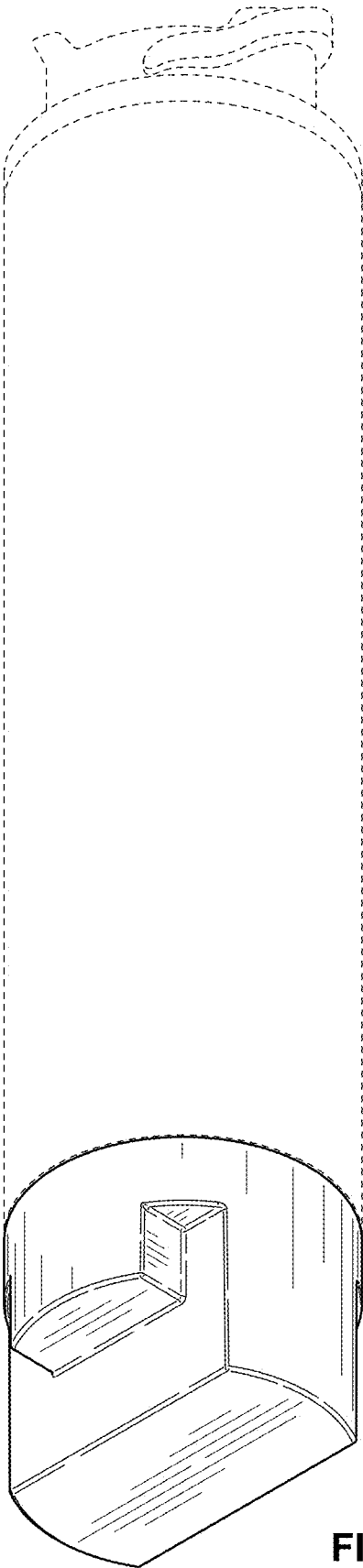


FIG. 5

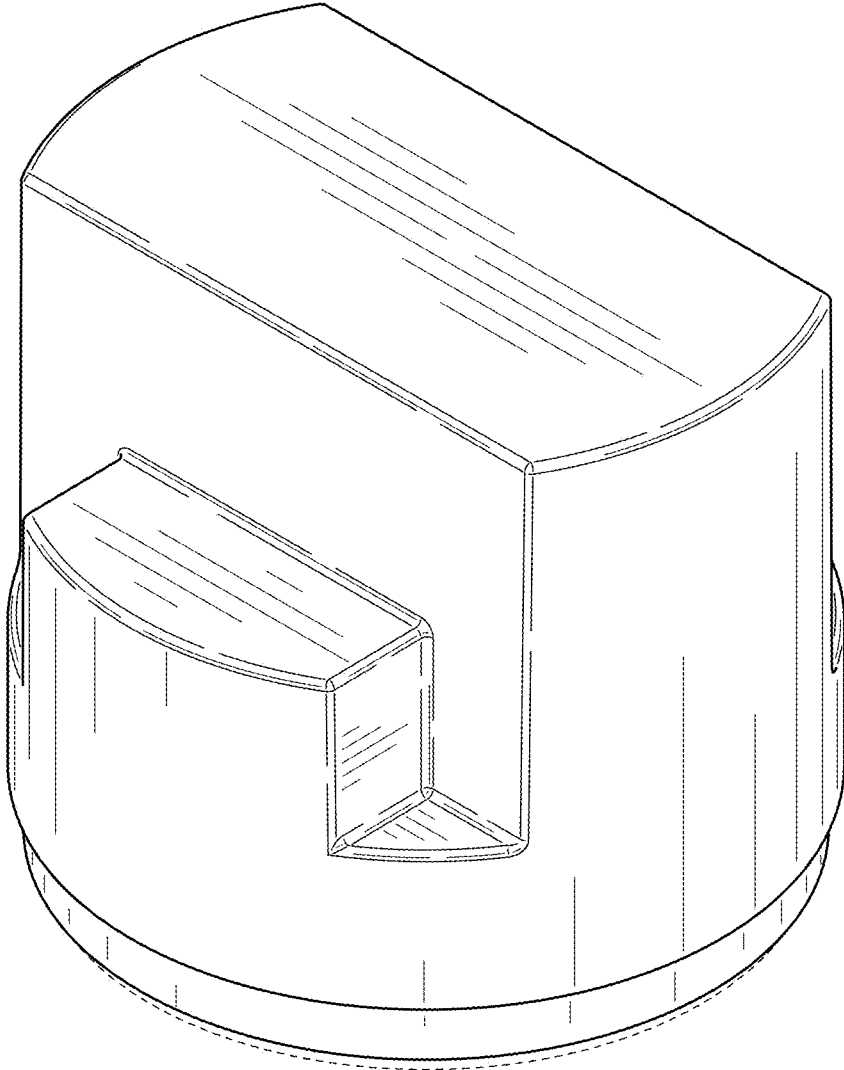


FIG. 6

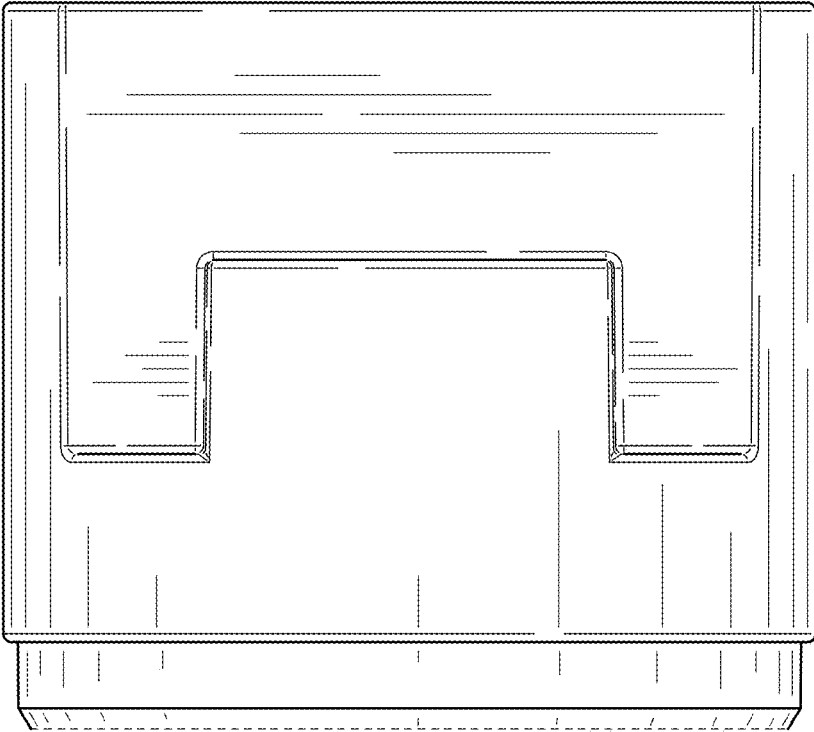


FIG. 7

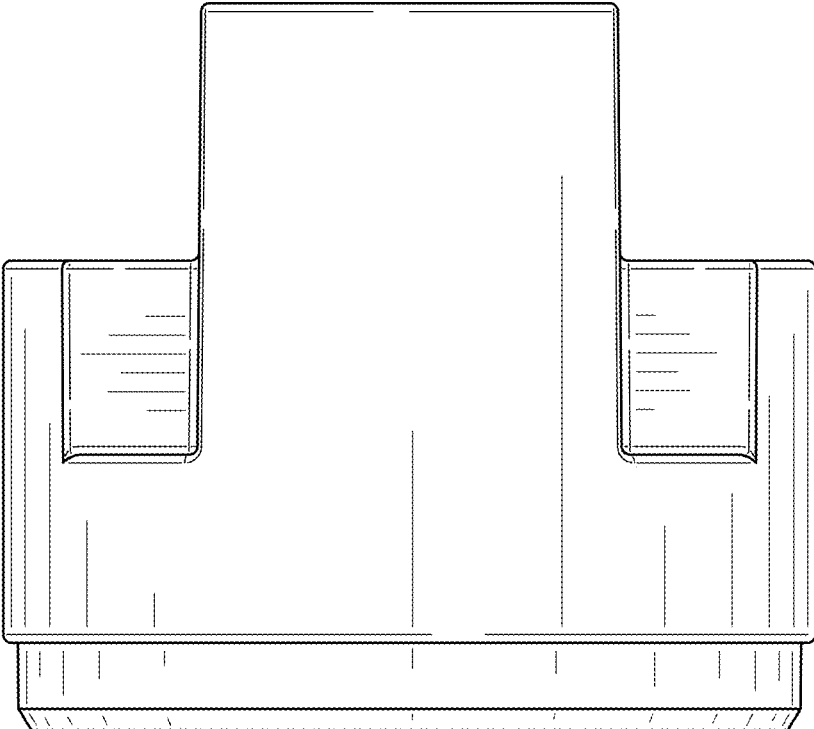


FIG. 8

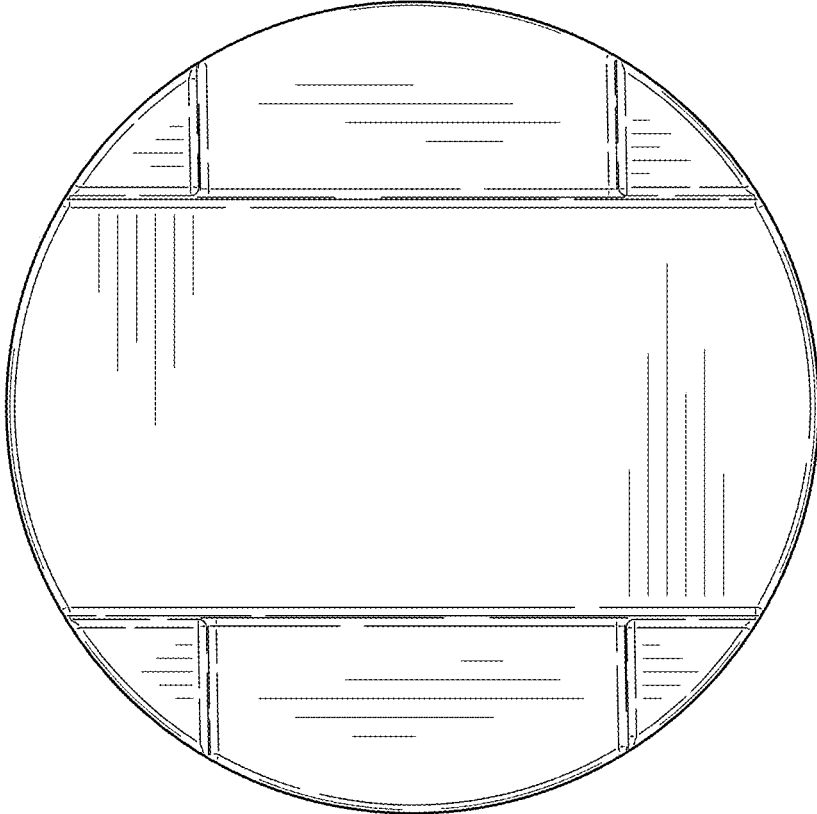


FIG. 9

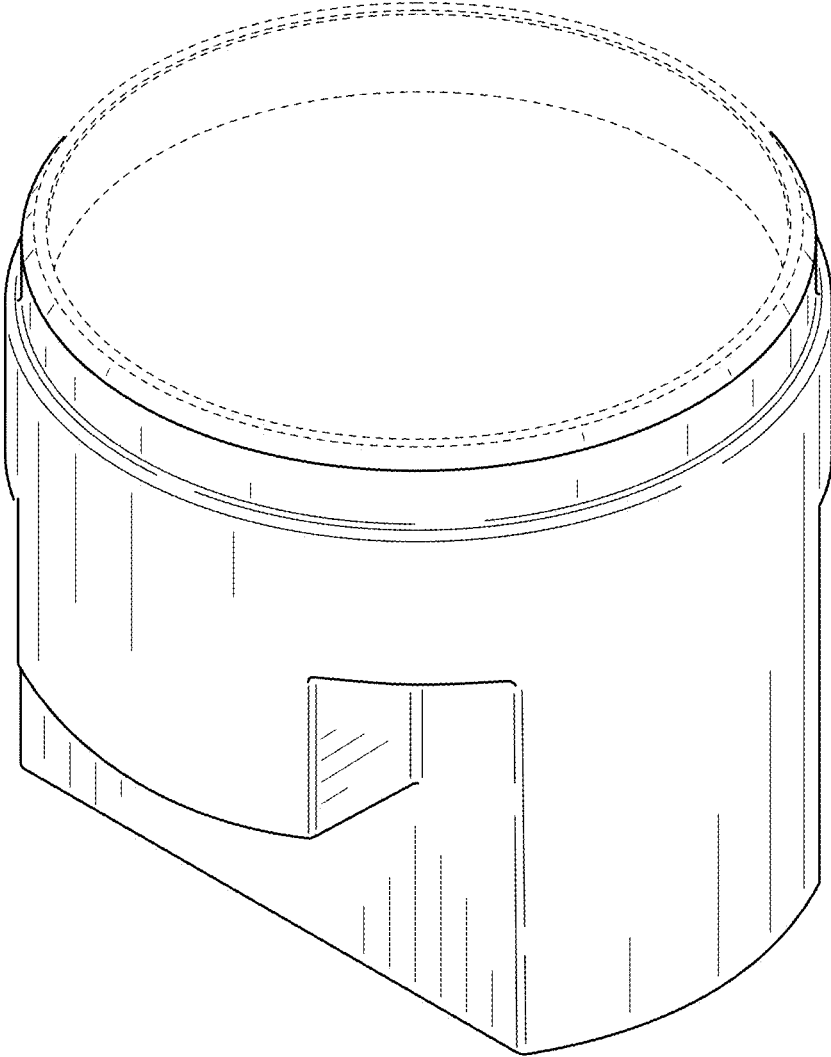


FIG. 10