



US00D508643S

(12) **United States Design Patent** (10) **Patent No.:** **US D508,643 S**
Concari et al. (45) **Date of Patent:** **** Aug. 23, 2005**

(54) **IMPACT DRIVER**

(75) Inventors: **Gabriel Concari**, Eldersbury, MD (US); **Rodney Milbourne**, Abingdon, MD (US)

(73) Assignee: **Black & Decker Inc.**, Newark, DE (US)

(**) Term: **14 Years**

D411,947 S 7/1999 Sugimoto et al.
D419,413 S * 1/2000 Heun D8/68
D420,877 S * 2/2000 Schultz D8/68
D421,883 S * 3/2000 Watson et al. D8/68
D424,902 S 5/2000 Gildersleeve et al.
D428,320 S 7/2000 Ohl et al.
D431,766 S 10/2000 Zurwelle
D435,414 S 12/2000 Etter et al.
D437,761 S 2/2001 Okumura et al.
D446,704 S 8/2001 Shibata et al.

(Continued)

(21) Appl. No.: **29/202,491**

(22) Filed: **Mar. 31, 2004**

(51) **LOC (8) Cl.** **08-05**

(52) **U.S. Cl.** **D8/68**

(58) **Field of Search** D8/14.1, 61, 62, D8/63, 64, 65, 66, 67, 68, 69, 70; 81/57.11, 429, 464, 465, 466, 469, 489; 173/13, 169, 178, 213, 217; 227/8, 114, 120, 130, 136, 142; 310/50; 408/20, 124, 125, 234, 241 R; 451/358

FOREIGN PATENT DOCUMENTS

DE M9003635 4/1991
DE M9300144 1/1993
DE M9301028 7/1993
DE M9402042 8/1994
DE 49808551 9/1999
DE 40005042 8/2000
DE 40009556 6/2001

Primary Examiner—Joel A. Sincavage
Assistant Examiner—T. Chase Nelson
(74) *Attorney, Agent, or Firm*—Michael P. Leary; Charles E. Yocum; Adan Ayala

(56) **References Cited**

U.S. PATENT DOCUMENTS

D156,319 S 12/1949 Bushnell
D159,044 S 6/1950 Bushnell
D295,714 S 5/1988 Sasaki et al.
D320,917 S 10/1991 Fushiya et al.
D335,073 S 4/1993 Anthony et al.
D339,046 S 9/1993 Fushiya et al.
D340,394 S 10/1993 Okumura
D340,396 S 10/1993 Ichikawa
D342,430 S 12/1993 Saito et al.
D359,215 S * 6/1995 Zurwelle D8/68
D362,167 S * 9/1995 Zurwelle D8/68
D368,214 S 3/1996 Zurwelle
D376,969 S 12/1996 Kazamaki et al.
D378,268 S * 3/1997 Schultz D8/68
D386,662 S * 11/1997 Tozawa et al. D8/68
D392,863 S 3/1998 Sugimoto et al.
D396,177 S * 7/1998 Schultz D8/68
D403,219 S 12/1998 Bosten et al.
D404,276 S 1/1999 Ghode et al.

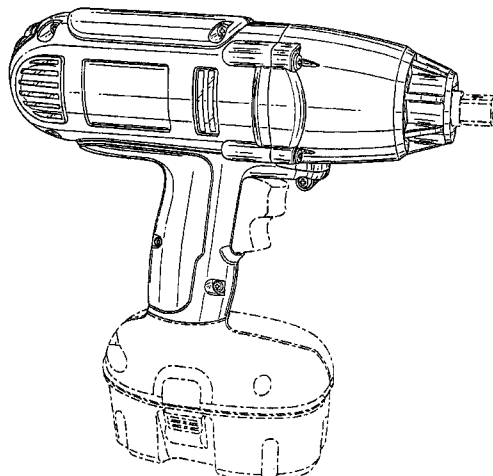
(57) **CLAIM**

The ornamental design for an impact driver, as shown and described.

DESCRIPTION

FIG. 1 is a right front perspective view of an impact driver showing my new design.
FIG. 2 is a left side view of the impact driver of FIG. 1.
FIG. 3 is a right side view of the impact driver of FIG. 1.
FIG. 4 is a front view of the impact driver of FIG. 1.
FIG. 5 is a rear view of the impact driver of FIG. 1.
FIG. 6 is a top view of the impact driver of FIG. 1; and, FIG. 7 is a bottom view of the impact driver of FIG. 1.
The broken lines and the areas within the broken lines form no part of the claimed ornamental design.

1 Claim, 5 Drawing Sheets



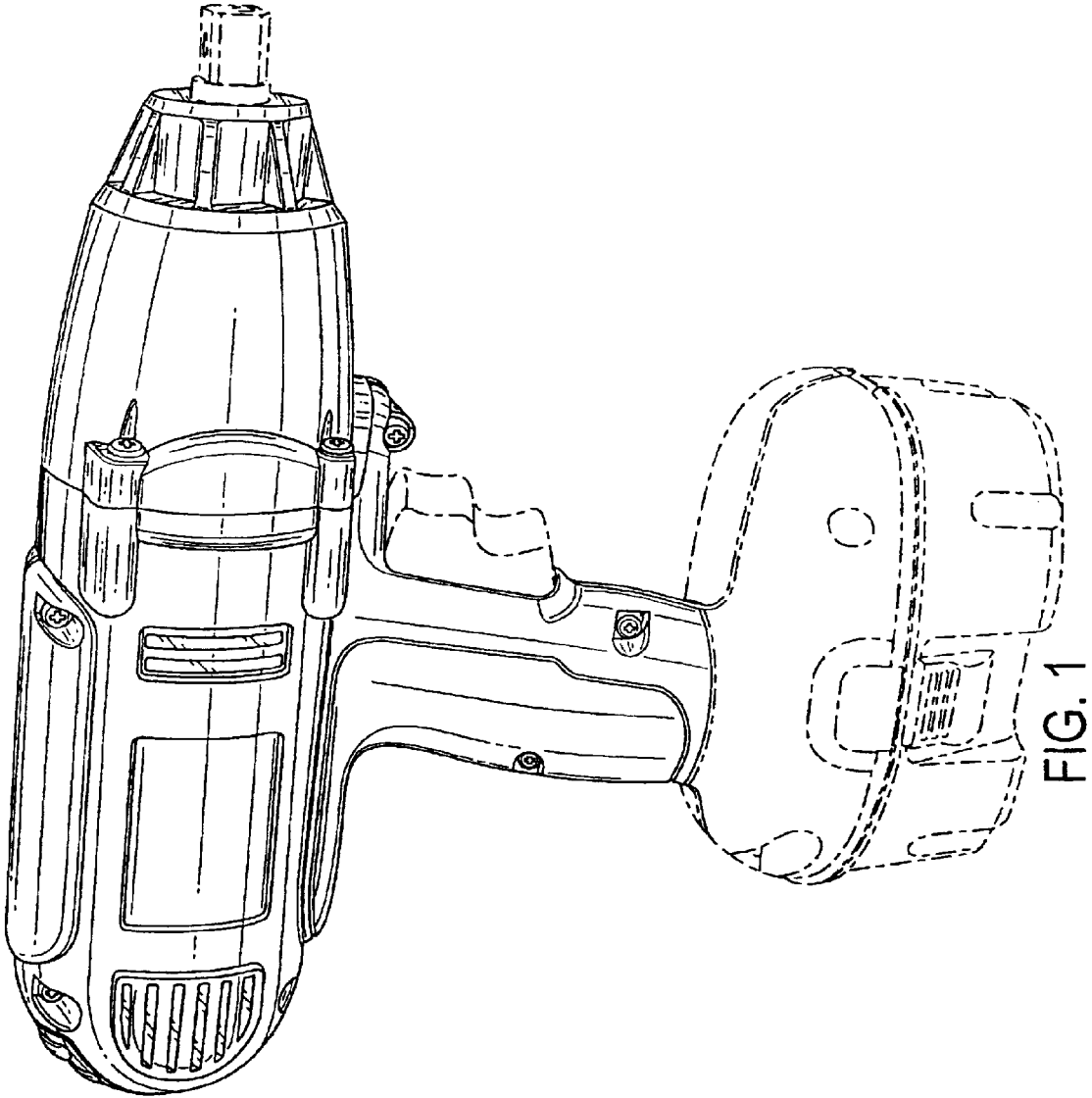
US D508,643 S

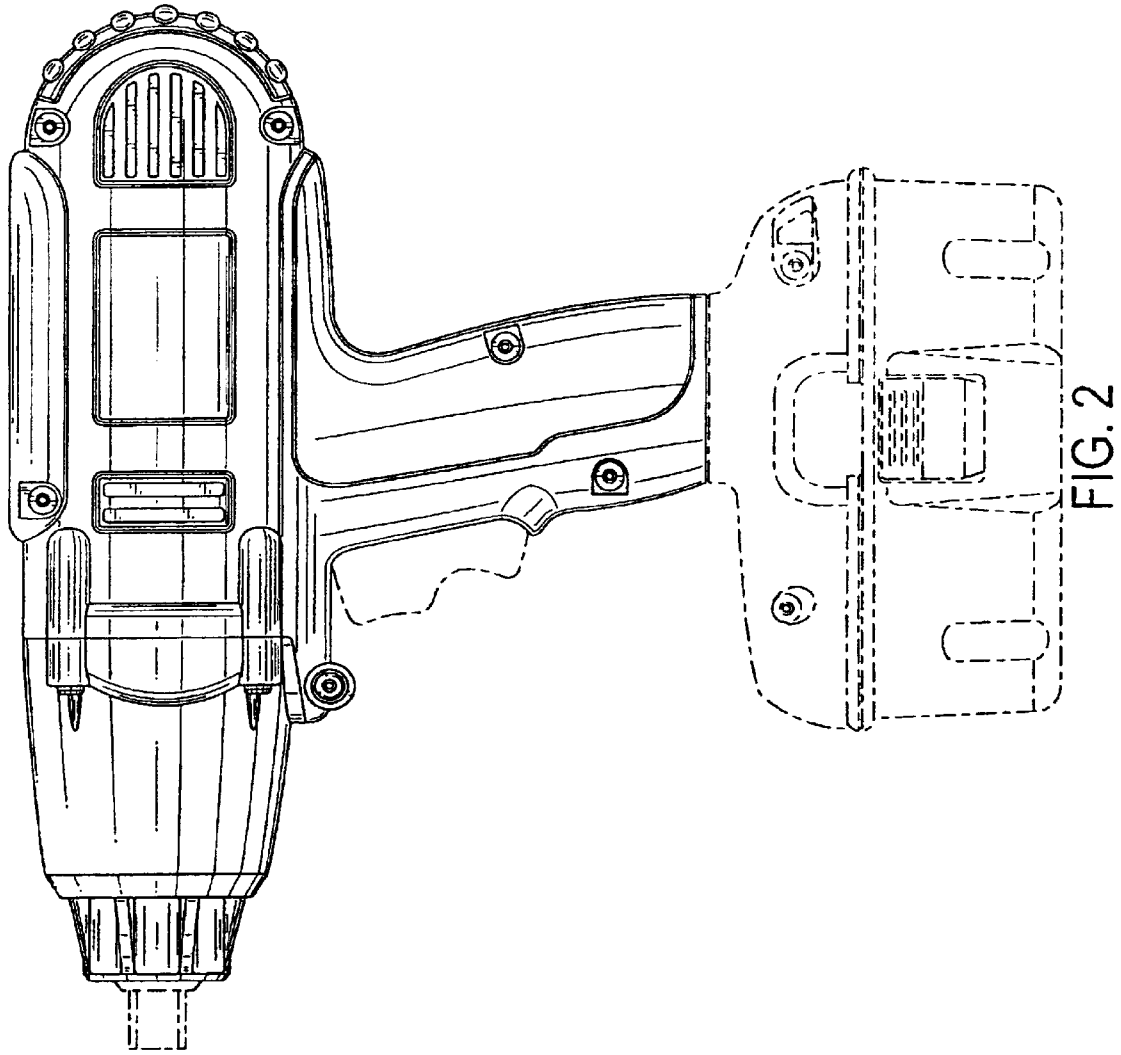
Page 2

U.S. PATENT DOCUMENTS

6,364,580	B1	*	4/2002	Dils et al.	408/241	R		
D460,674	S	*	7/2002	Heun		D8/68		
6,431,289	B1	*	8/2002	Potter et al.	173/217			
D462,248	S	*	9/2002	Cooper		D8/68		
D462,594	S		9/2002	Flickinger				
D466,777	S		12/2002	Watson				
D467,147	S		12/2002	Watson				
D467,148	S	*	12/2002	Flickinger		D8/68		
D467,780	S		12/2002	Koizumi				
6,502,648	B2	*	1/2003	Milbourne	173/178			
D469,675	S	*	2/2003	Chung		D8/68		
D477,205	S	*	7/2003	Sakai et al.		D8/68		
D489,955	S	*	5/2004	Concari et al.		D8/68		

* cited by examiner





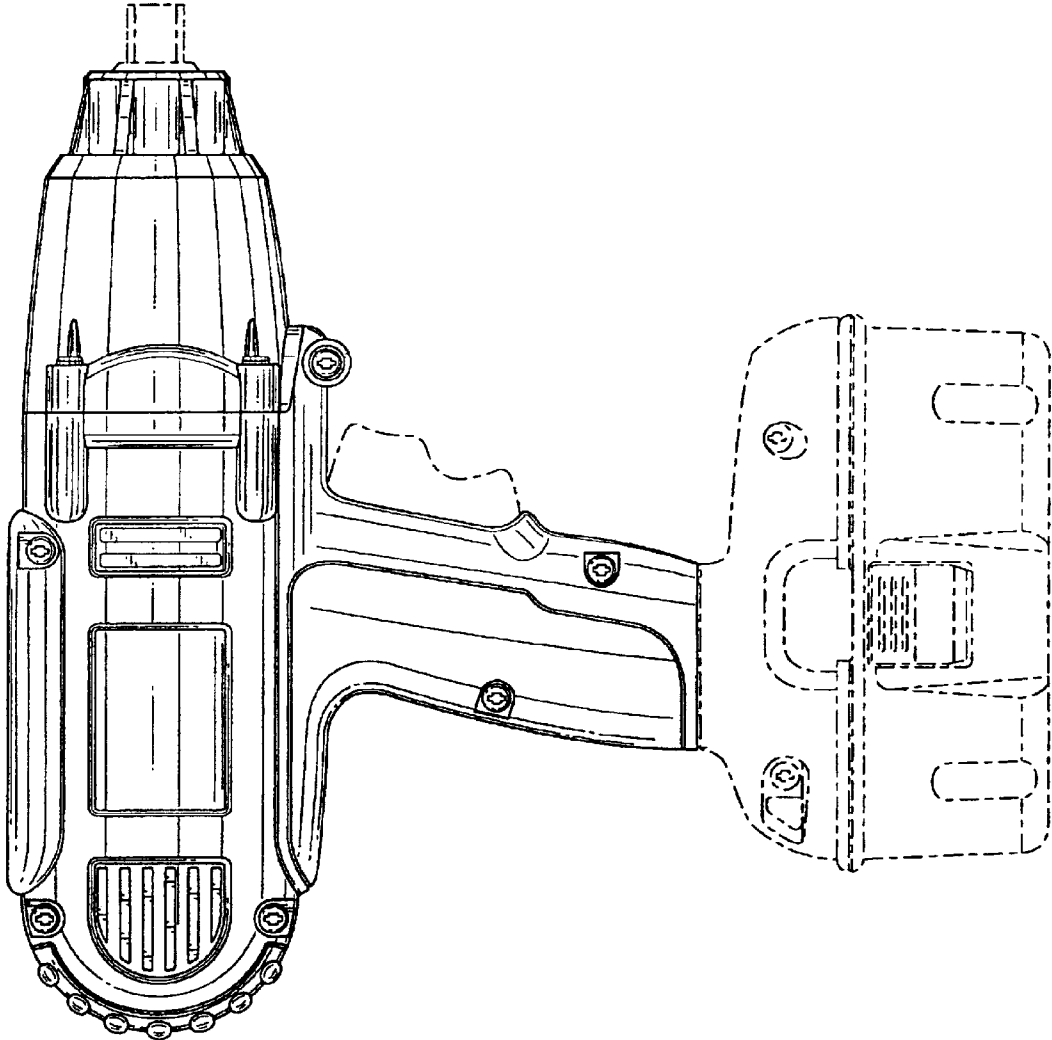


FIG. 3

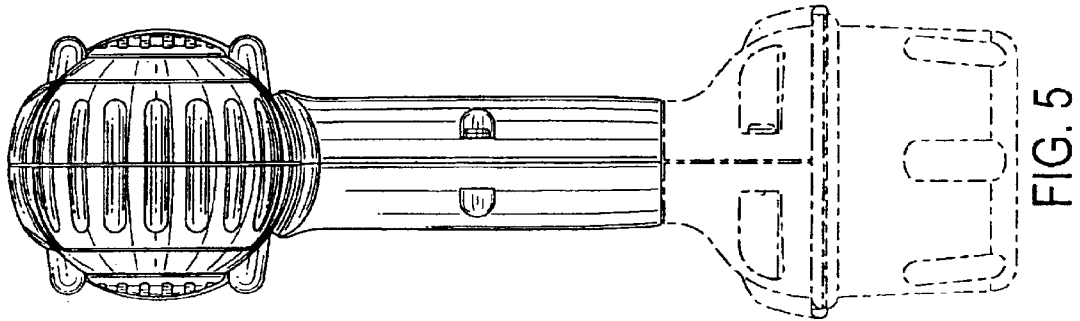


FIG. 5

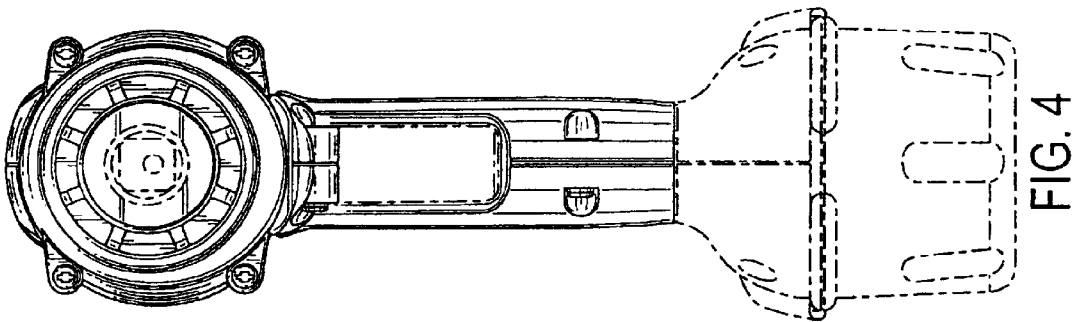


FIG. 4

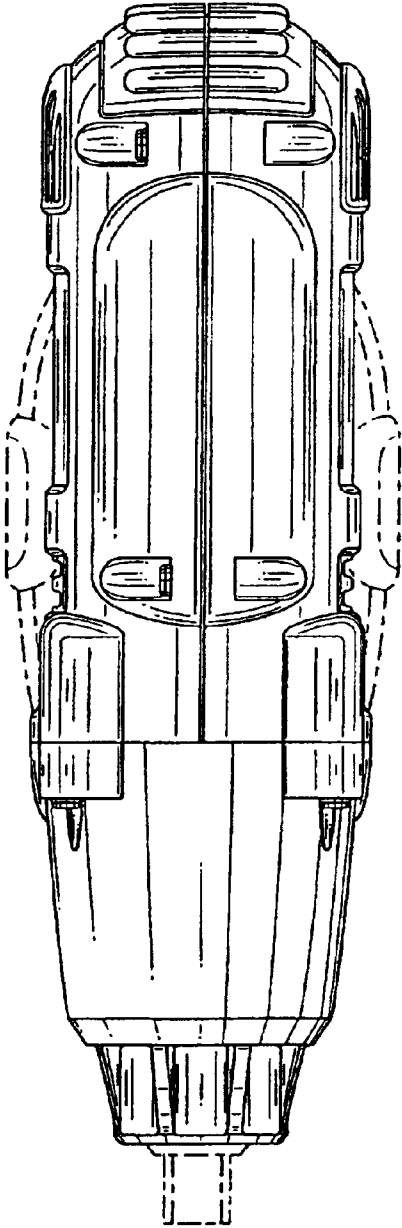


FIG. 6

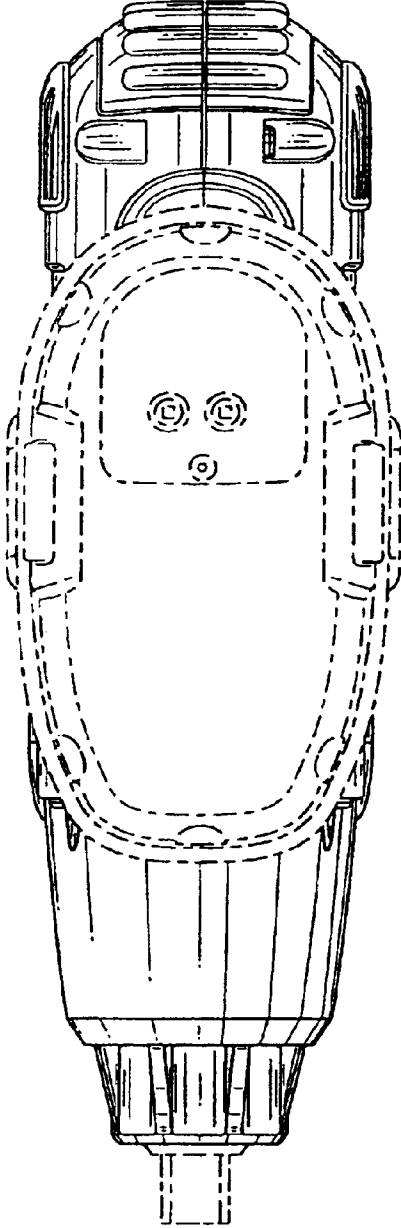


FIG. 7