

(19) World Intellectual Property Organization
International Bureau



(43) International Publication Date
21 December 2007 (21.12.2007)

PCT

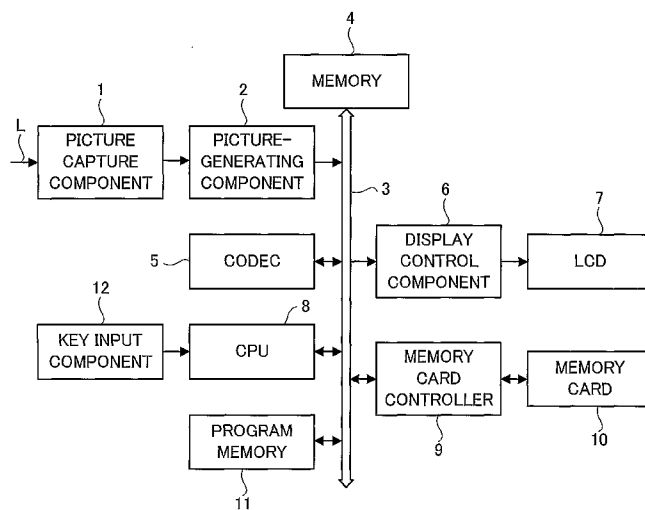
(10) International Publication Number
WO 2007/145381 A3

- (51) International Patent Classification:
H04N 7/26 (2006.01) H04N 7/46 (2006.01)
- (21) International Application Number:
PCT/JP2007/062638
- (22) International Filing Date: 18 June 2007 (18.06.2007)
- (25) Filing Language: English
- (26) Publication Language: English
- (30) Priority Data:
2006-166778 16 June 2006 (16.06.2006) JP
2007-108794 18 April 2007 (18.04.2007) JP
- (71) Applicants (for all designated States except US): **CASIO COMPUTER CO., LTD.** [JP/JP]; 6-2, Hon-machi 1-chome, Shibuya-ku, Tokyo 151-8543 (JP). **RENESAS TECHNOLOGY CORP.** [JP/JP]; 6-2, Otemachi 2-chome, Chiyoda-ku, Tokyo 100-0004 (JP).
- (72) Inventors; and
- (75) Inventors/Applicants (for US only): **MURAKI, Jun** [JP/JP]; c/o Casio Computer Co., Ltd., Hamura R & D Center, 2-1, Sakae-cho 3-chome, Hamura-shi, Tokyo 205-8555 (JP). **KURIYAMA, Yuji** [JP/JP]; c/o Casio Computer Co., Ltd., Hamura R & D Center, 2-1, Sakae-cho 3-chome, Hamura-shi, Tokyo 205-8555 (JP). **NAKAGOMI, Kouichi** [JP/JP]; c/o Casio Computer Co., Ltd., Hamura R & D Center, 2-1, Sakae-cho 3-chome,

- Hamura-shi, Tokyo 205-8555 (JP). **MIZUNO, Kimiyasu** [JP/JP]; c/o Casio Computer Co., Ltd., Hamura R & D Center, 2-1, Sakae-cho 3-chome, Hamura-shi, Tokyo 205-8555 (JP). **IWATA, Kenichi** [JP/JP]; c/o Runesas Technology Corp., 6-2, Otemachi 2-chome, Chiyoda-ku, Tokyo 100-0004 (JP). **MOCHIZUKI, Seiji** [JP/JP]; c/o Runesas Technology Corp., 6-2, Otemachi 2-chome, Chiyoda-ku, Tokyo 100-0004 (JP). **IMAOKA, Ren** [JP/JP]; c/o Runesas Technology Corp., 6-2, Otemachi 2-chome, Chiyoda-ku, Tokyo 100-0004 (JP).
- (74) Agents: **KIMURA, Mitsuru** et al.; 2nd Floor, Kyohan Building, 7, Kandanishiki-cho 2-chome, Chiyoda-ku, Tokyo 1010054 (JP).
- (81) Designated States (unless otherwise indicated, for every kind of national protection available): AE, AG, AL, AM, AT, AU, AZ, BA, BB, BG, BH, BR, BW, BY, BZ, CA, CH, CN, CO, CR, CU, CZ, DE, DK, DM, DO, DZ, EC, EE, EG, ES, FI, GB, GD, GE, GH, GM, GT, HN, HR, HU, ID, IL, IN, IS, KE, KG, KM, KN, KP, KR, KZ, LA, LC, LK, LR, LS, LT, LU, LY, MA, MD, MG, MK, MN, MW, MX, MY, MZ, NA, NG, NI, NO, NZ, OM, PG, PH, PL, PT, RO, RS, RU, SC, SD, SE, SG, SK, SL, SM, SV, SY, TJ, TM, TN, TR, TT, TZ, UA, UG, US, UZ, VC, VN, ZA, ZM, ZW.
- (84) Designated States (unless otherwise indicated, for every kind of regional protection available): ARIPO (BW, GH,

[Continued on next page]

(54) Title: MOTION PICTURE ENCODING DEVICE, MOTION PICTURE ENCODING METHOD, MOTION PICTURE DECODING DEVICE, MOTION PICTURE DECODING METHOD, MOTION PICTURE RECORDING DEVICE, PROGRAM AND DATA STRUCTURE



(57) Abstract: A CODEC 5 compresses and encodes a motion picture captured at a high speed of 240 Q/S frame rate in MPEG format. The CODEC 5 divides pictures in each frame into I pictures and the main frame P pictures (P4, P8, P 12) and the other sub frame P pictures (pi, p2, p3, ...). In encoding P pictures of the main frame, the CODEC 5 uses I pictures that are adjacent on the time axis or P pictures of other main frames as a reference picture. With a playback device, etc., of its motion picture playback performance of 60 fps, to perform an actual speed playback with the playback time being equal to the picture-capturing time, only the main frame alone is to be subjected to playback, in that case the decoding process of P pictures of the sub frames is not required.

WO 2007/145381 A3



GM, KE, LS, MW, MZ, NA, SD, SL, SZ, TZ, UG, ZM, ZW), Eurasian (AM, AZ, BY, KG, KZ, MD, RU, TJ, TM), European (AT, BE, BG, CH, CY, CZ, DE, DK, EE, ES, FI, FR, GB, GR, HU, IE, IS, IT, LT, LU, LV, MC, MT, NL, PL, PT, RO, SE, SI, SK, TR), OAPI (BF, BJ, CF, CG, CI, CM, GA, GN, GQ, GW, ML, MR, NE, SN, TD, TG).

Published:

- *with international search report*
- *before the expiration of the time limit for amending the claims and to be republished in the event of receipt of amendments*

(88) Date of publication of the international search report:

3 April 2008

INTERNATIONAL SEARCH REPORT

International application No PCT/JP2007/062638

A. CLASSIFICATION OF SUBJECT MATTER
 INV. H04N7/26 H04N7/46

According to International Patent Classification (IPC) or to both national classification and IPC

B. FIELDS SEARCHED

Minimum documentation searched (classification system followed by classification symbols)
 H04N

Documentation searched other than minimum documentation to the extent that such documents are included in the fields searched

Electronic data base consulted during the international search (name of data base and, where practical, search terms used)

EPO-Internal, WPI Data

C. DOCUMENTS CONSIDERED TO BE RELEVANT

Category*	Citation of document, with indication, where appropriate, of the relevant passages	Relevant to claim No.
Y	US 2004/179611 A1 (SOTA AKIRA [JP] ET AL) 16 September 2004 (2004-09-16) abstract; claim 1; figure 2 paragraphs [0021], [0023], [0026] - [0020], [0035], [0069] - [0089], [0131] -----	1-33
Y	US 2004/228410 A1 (AMERES ERIC [US] ET AL) 18 November 2004 (2004-11-18) abstract paragraphs [0053], [0149], [0150], [0170] - [0179] -----	1-33
A	EP 0 763 944 A (OKI ELECTRIC IND CO LTD [JP]) 19 March 1997 (1997-03-19) abstract column 1, paragraph 5 column 6, paragraph 2 -----	1-33
	-/--	

Further documents are listed in the continuation of Box C.

See patent family annex.

* Special categories of cited documents :

- *A* document defining the general state of the art which is not considered to be of particular relevance
- *E* earlier document but published on or after the international filing date
- *L* document which may throw doubts on priority claim(s) or which is cited to establish the publication date of another citation or other special reason (as specified)
- *O* document referring to an oral disclosure, use, exhibition or other means
- *P* document published prior to the international filing date but later than the priority date claimed

- *T* later document published after the international filing date or priority date and not in conflict with the application but cited to understand the principle or theory underlying the invention
- *X* document of particular relevance; the claimed invention cannot be considered novel or cannot be considered to involve an inventive step when the document is taken alone
- *Y* document of particular relevance; the claimed invention cannot be considered to involve an inventive step when the document is combined with one or more other such documents, such combination being obvious to a person skilled in the art.
- *Z* document member of the same patent family

Date of the actual completion of the international search

21 January 2008

Date of mailing of the international search report

06/02/2008

Name and mailing address of the ISA/

European Patent Office, P.B. 5818 Patentlaan 2
 NL - 2280 HV Rijswijk
 Tel. (+31-70) 340-2040, Tx. 31 651 epo nl,
 Fax: (+31-70) 340-3016

Authorized officer

CAKIROGLU GARTON, S

INTERNATIONAL SEARCH REPORT

International application No

PCT/JP2007/062638

C(Continuation). DOCUMENTS CONSIDERED TO BE RELEVANT		
Category*	Citation of document, with indication, where appropriate, of the relevant passages	Relevant to claim No.
A	<p>W. DE NEVE, S. LEROUNGE, P. LAMBERT, R. VAN DE WALLE: "A performance evaluation of MPEG-21 BSDL in the context of H.264/AVC"</p> <p>APPLICATIONS OF DIGITAL IMAGE PROCESSING XXVII, PROCEEDINGS OF SPIE, November 2004 (2004-11), pages 555-566, XP002465280</p> <p>Bellingham, WA</p> <p>Retrieved from the Internet: URL:http://spied1.aip.org/getpdf/servlet/GetPDFServlet?filetype=pdf&id=PSISDG005558000001000555000001&idtype=cvips&prog=normal > abstract paragraph [02.3] paragraph [02.3]</p>	1-33
A	<p>Y-K WANG ET AL: "Indication of non-required pics"</p> <p>GENEVA : ISO, CH, 19 July 2005 (2005-07-19), XP030006100 paragraphs [0002], [0003]</p>	1-33
A	<p>WO 2005/079070 A (NOKIA CORP [FI]; HANNUKSELA MISKA [FI]; AKSU EMRE [FI]) 25 August 2005 (2005-08-25) page 17 page 45, paragraph 5</p>	1-33
A	<p>US 6 591 014 B1 (UEDA HIROAKI [JP]) 8 July 2003 (2003-07-08) abstract; figure 1 column 2, lines 4-44 column 4, lines 7-24 column 6, paragraph 2 column 8, paragraph 1</p>	1-33

INTERNATIONAL SEARCH REPORT

Information on patent family members

International application No PCT/JP2007/062638

Patent document cited in search report	Publication date	Patent family member(s)	Publication date
US 2004179611	A1	16-09-2004	CN 1536891 A 13-10-2004
			JP 2004242008 A 26-08-2004
US 2004228410	A1	18-11-2004	CA 2525390 A1 25-11-2004
			EP 1656791 A2 17-05-2006
			JP 2007520912 T 26-07-2007
			KR 20060025528 A 21-03-2006
			WO 2004102946 A2 25-11-2004
EP 0763944	A	19-03-1997	DE 69625145 D1 16-01-2003
			DE 69625145 T2 11-09-2003
			JP 3068002 B2 24-07-2000
			JP 9149421 A 06-06-1997
			US 6169821 B1 02-01-2001
WO 2005079070	A	25-08-2005	AU 2005212896 A1 25-08-2005
			BR PI0507925 A 17-07-2007
			CA 2556120 A1 25-08-2005
			CN 1934865 A 21-03-2007
			EP 1714490 A1 25-10-2006
			JP 2007522749 T 09-08-2007
			KR 20060116245 A 14-11-2006
US 6591014	B1	08-07-2003	JP 3185763 B2 11-07-2001
			JP 2000032469 A 28-01-2000