

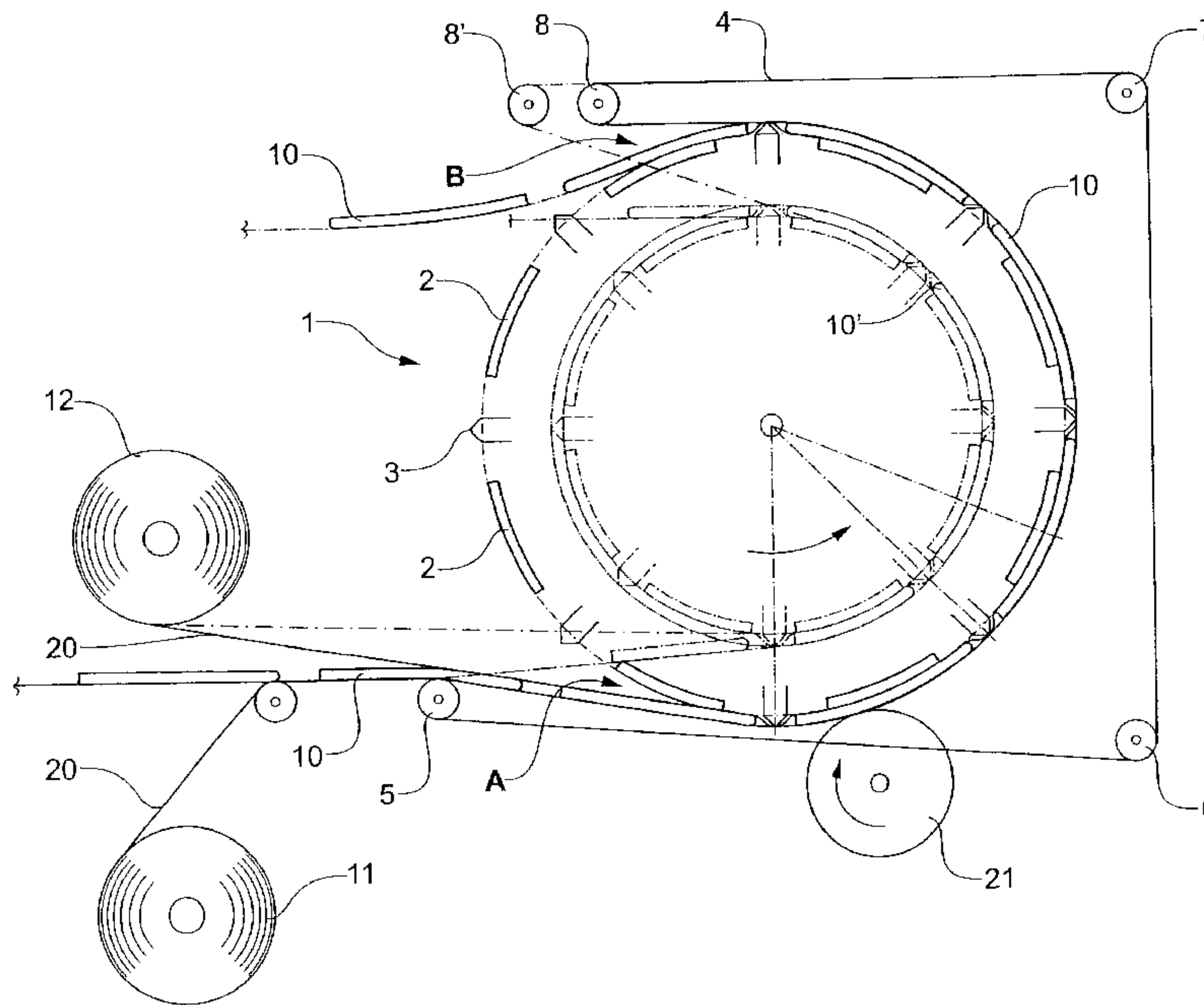


(86) Date de dépôt PCT/PCT Filing Date: 2003/07/07  
 (87) Date publication PCT/PCT Publication Date: 2004/03/04  
 (85) Entrée phase nationale/National Entry: 2005/02/14  
 (86) N° demande PCT/PCT Application No.: CH 2003/000449  
 (87) N° publication PCT/PCT Publication No.: 2004/018297  
 (30) Priorité/Priority: 2002/08/20 (1426/02) CH

(51) Cl.Int.<sup>7</sup>/Int.Cl.<sup>7</sup> B65B 9/02, B65H 29/12, B65H 27/00,  
B65B 59/00  
 (71) Demandeur/Applicant:  
FERAG AG, CH  
 (72) Inventeur/Inventor:  
HONEGGER, WERNER, CH  
 (74) Agent: FREEDMAN & ASSOCIATES

(54) Titre : DISPOSITIF POUR TRAVAILLER SUR DES OBJETS PLATS, EN PARTICULIER POUR EMBALLER DES PRODUITS IMPRIMÉS

(54) Title: DEVICE FOR PROCESSING FLAT OBJECTS, ESPECIALLY FOR PACKING PRINTED PRODUCTS



(57) **Abrégé/Abstract:**

In order to process flat objects (10), especially for packing printed products or small groups of printed products using an almost continuous packing material, the objects are guided over part of the periphery of a processing drum (1) in a transport flow in which they are successively arranged essentially parallel to the transport direction and optionally between two layers of packaging material. Said processing drum (1) comprises regularly alternating, axially extending support elements (2) and processing elements (3) on the periphery thereof, the radial position of said elements being adjustable, for example, for adaptation to different formats of the objects to be processed. The processing drum also comprises a pressing strip (4) which extends from an input point (A) to an output point (B) along the periphery of the drum and by which means the objects guided around the periphery of the drum are held and pressed against the tool elements. So that a change of the radial position of the support elements and the tool elements necessitates no other adjustments, the pressing strip (4) is arranged in such a way that it guides the objects towards the periphery of the processing drum and/or away from the same.

**ABSTRACT**

For processing flat objects (10), in particular for packing printed products or small groups thereof, using a continuous packing material, the objects are conveyed in a conveying stream in which they are arranged in succession and essentially parallel to the conveying direction, and possibly between two layers of packing material, along a part of the periphery of a processing drum (1). The processing drum (1) comprises axially extending support elements (2) and tool elements (3) regularly alternating around its periphery, the radial position of said elements being adjustable, e.g. for an adaptation to varying formats of the objects to be processed. The processing drum further comprises a pressing belt (4) extending from an entry point (A) to an exit point (B) on the drum periphery and holding and pressing the objects being conveyed on the drum periphery against the tool elements. To render further adjustments unnecessary when the radial position of the support and tool elements is changed, the pressing belt (4) is arranged in such a way that it is able to guide the objects on to and/or off the periphery of the processing drum.

(Fig. 1)

## **DEVICE FOR PROCESSING FLAT OBJECTS, ESPECIALLY FOR PACKING PRINTED PRODUCTS**

The invention lies in the field of processing piece good concerns an installation according to the generic term of the first independent claim. The installation according to the invention serves the processing of flat objects, in particular of printed products, e.g. the packing of individual printed products or small groups thereof.

For many different kinds of processing such as e.g. binding, trimming, labelling, packing, etc., printed products are conveyed in conveying streams into a processing station and away from it. In such conveying streams the printed products lie e.g. on a conveying surface, i.e. they are arranged essentially parallel to the conveying direction. Advantageously the processing station is equipped in such a way that conveyance of the printed products need not be interrupted during processing but can be operated continuously. This implies that tools which have to act on the printed products during a predetermined time must be conveyed together with the printed product for the predetermined time, such that there is no relative speed with regard to the products, at least in the conveying direction.

If, for the processing the printed products in such conveying streams, only product edges need to be accessible, the printed products are usually arranged overlapping each other (imbricated stream). Therein the size of the accessible product part

depends on product spacing (distance between imbricated products, i.e. distance between e.g. downstream edges of successive products). The accessible part of the product does not depend on the format of the printed product, as such. The product spacing is therefore adjusted to the nature of processing and can be maintained even  
5 if the format changes.

If the entire surface of the products must be accessible for the processing of printed products in conveying streams in which the products are arranged parallel to the conveying direction, the printed products are to be arranged consecutively on the conveying surface, without overlapping. For such conveyance the format of the  
10 product, i.e. their expansion in conveying direction, becomes relevant for the product spacing (distance between e.g. downstream edges of successive products). If diverse product formats are to be conveyed and processed in such a conveying stream without corresponding adjusting measures, the product spacing has to be adjusted to the largest format to be processed, i.e. the greatest product length to be expected in  
15 conveying direction. The product spacing (distance between e.g. downstream edges of successive products) then does not change and the gaps between products (distance between trailing edge of a product and downstream edge of the following product) are smallest for the largest products and greater for all the other products, depending on format. Conveyance of unnecessarily large gaps, which implies  
20 unnecessarily high conveying speed to achieve equal conveying capacity, is nevertheless an economical disadvantage.

Said economical disadvantage becomes particularly relevant if it does not only concern the conveying speed but also the use of material for the processing. This applies to the use of an auxiliary material which is continuously supplied to the  
25 conveying stream and spans across the products and the gaps. For economical or other reasons such material ought to be limited to the amount required by a specific format.

A typical example of processing flat objects in a conveying stream using an auxiliary material, which is continuously supplied to the conveying stream, is the packing of objects with the aid of a packing material, e.g. a plastic foil supplied from a reel. Therein it would be desirable, for economical reasons as indicated above as well as  
5 for other reasons (e.g. stability and aesthetic appearance of the packaging), to adjust the length of the supplied packing material for each object to be packed as precisely as possible to the size (format) of the object.

Publication EP-0588764 discloses an installation in which printed products, which are conveyed essentially at right angles to the conveying direction, are packed during  
10 continuous conveyance using a packing material supplied from a roll. The installation is a drum with radial conveying compartments, open at the drum periphery. The packing material is drawn from the roll and is continuously pulled to the bottom of each conveying compartment, thus forming a V-shaped pocket in each conveying compartment by zigzaging from compartment to compartment. The  
15 printed products to be packed are positioned in these pockets, the packing material is severed between the conveying compartments and the severed piece of packing material is sealed around the printed product in each compartment. The appropriate tools for drawing in, severing and sealing the packing material are provided in each conveying compartment. Obviously, objects of varying formats can be packed in this  
20 installation, but the size of the piece of packing material severed for each package is always the same and only depends on the size of the conveying compartment.

The installation described in the publication WO-00/64738 in essence serves the same purpose as the installation according to EP-0588764 and likewise comprises a processing drum, wherein the objects to be packed are conveyed consecutively and  
25 parallel to the conveying direction around a part of the drum periphery, together with the packing material. Tools for transverse sealing and severing of the packing material are arranged at this drum periphery and they move around this periphery

together with the objects to be packed and the packing material. In this installation too, objects of varying sizes can be packed, but here too, the format of the packaging remains the same.

If single printed products or groups of printed products of a single format but varying  
5 thickness are to be packed in the aforementioned installations, it is already no longer possible to produce packages using only a minimum of the packing material by fitting it tightly around the printed products, because a thicker product requires parallel to the conveying direction a slightly longer piece of packing material. This applies in particular to printed product which are loosely folded, i.e. not bound and  
10 therefore in most cases not trimmed either (e.g. daily newspapers), such that their thickness has an effect on the breadth of the folding edge and therefore on the product expansion in conveying direction also. If variations of thickness have to be reckoned with, said installations must be adjusted to products having the largest thickness to be expected. For all thinner products the packaging material does not fit  
15 tightly around the product and is larger than absolutely necessary.

The same applies if varying packing materials necessitating varying seam widths are to be processed, or if the transverse seams are to be performed in varying ways requiring a web of packing material of greater or lesser width.

In the publications DE-3528634, US-4305240 or GB-1409077 installations are  
20 described in which, again by means of drum-like installations, a continuous packing material is sealed at right angles by welding jaws arranged on the drum periphery. In order to achieve varying distances between the transverse seams, it is suggested that the welding jaws are arranged in a radially adjustable manner. With these installations objects of varying sizes and/or varying gaps between objects can be  
25 sealed into a continuous packing material in the manner described above. However,

as the processing drum comprises various diameters, depending on the radial adjustment of the welding jaws, it is necessary for the packing material to be of sufficient firmness in order to convey itself and the objects to be packed without further support across a last stretch of the path on to the drum periphery and/or across  
5 a first stretch of the path away off the drum periphery. Said installations can therefore not be used for packing material unable to fulfil said conditions due to insufficient stability, and they are not at all suitable for processing methods which do not require a continuously supplied auxiliary material.

The installation according to the invention is to make precisely that possible. It is  
10 therefore the object of the invention to create an installation for processing flat objects conveyed in a conveying stream consecutively (not overlapping each other) and arranged parallel to the conveying direction, in particular for processing areas of the downstream and upstream edges of the flat objects. The installation comprises a processing drum with processing elements arranged on its periphery, which elements  
15 are radially adjustable such that they can be adjusted for varying gaps between objects to be processed or for maintaining these gaps constant with varying product formats. Therein the installation is to be equipped in such a manner that said adjustment of the processing elements does not necessitate any further adjustment and does not put any conditions on the materials to be processed with regard to form  
20 (continuous or not) or mechanical stability. In particular, the installation according to the invention is to facilitate tight-fit packaging of the objects of the conveying stream with continuously supplied packing material, essentially independent of thickness and size of the objects, as well as largely independent of the nature of the package to be produced, even if the stability of the packing material is sufficient only for the  
25 packing function but not for a supporting and conveying function.

This object is achieved by the installation as defined in the claims.

The installation according to the invention comprises a supply means, a removal means, and a processing drum situated between the two means. The supply means, and if necessary also the removal means, is equipped for conveying flat objects arranged consecutively (not overlapping) parallel to the conveying direction. The  
5 processing drum is driven in rotation around its essentially horizontal axis and comprises support elements and tool elements and a continuously revolving pressing belt. The support elements and tool elements are arranged regularly alternating around the periphery of the drum. They extend parallel to the drum axis, and can be radially displaced. The pressing belt runs along a part of the drum periphery at the  
10 same speed as said periphery (it is advantageously driven by the drum). The pressing belt serves on the one hand to press material to be processed against the tool and supporting elements during its course along the drum periphery. On the other hand it serves to convey this material along the last stretch of its path towards the drum periphery and/or across the first stretch of its path away from it. Therefore the  
15 pressing belt forms at least a part of the supply means and/or of the removal means. As a result of this the supply means and/or the removal means need not be adjusted with regard to varying drum radii (varying radial positions of support elements and tool elements), yet the material to be processed is conveyed in a supported manner at all times.

20 The tool elements and the support elements are advantageously all effectively connected to one control means in such a way that by activating the control means all support and tool elements are radially adjusted together. It is also possible to provide a separate control means for the support elements and one for the tool elements.

25 On displacing the support elements and tool elements outwards (to a larger distance from the drum axis) the distances between the tool elements become larger, i.e. gaps between objects of a same size become larger. On displacing the elements inwards the distances between the support elements and the tool elements become smaller.

Therein the timing of conveyance and processing remains the same at a constant rotation speed, regardless of the setting of the support and tool elements. If necessary the width (at right angles to the axial expansion) of the support elements can be adjusted to the distance between the tool elements set by their radial setting. The  
5 length of the pressing belt extending along the periphery of the drum, which length varies with the radial positioning of support and tool elements, or with a varying drum radius respectively, is compensated e.g. by a deflection roller for the pressing belt being arranged in a resilient manner.

If the installation according to the invention is equipped for packing objects  
10 conveyed along the periphery of the processing drum, it further comprises means for supplying the packing material to the supply stream of the objects, and the tool elements of the processing drum are designed as means for transverse joining of the packing material and possibly as removal means (e.g. as per se known thermal  
15 welding and severing means in the case of the packing material being made of a thermoplastic material). A supplied stream of objects, with a conveying sequence being adapted to the rotation speed of the processing drum, is passed on to the supply means, or the pressing belt, forming a conveying stream of printed products arranged consecutively with a predetermined spacing. The packing material is supplied to this  
20 conveying stream from two sides, or from one side with appropriate wrapping around the conveying stream, as e.g. described in the publication EP-1188670. The conveying stream thus covered on both sides, or in a tubular fashion, by the packing material then moves on to the processing drum, the conveying stream and the processing drum being synchronized in such a way that the tool elements are positioned in the gaps between the objects. During conveyance of the stream along a  
25 section of the drum periphery the tool elements, possibly accordingly activated, perform the transverse seaming of the packing material around the objects. The longitudinal seaming can be performed in the area of the supply means or of the processing drum, or it can not be performed at all (packaging with banderole). In

addition to the transverse seaming the packed objects can also be completely or partly separated during conveyance along the processing drum periphery.

The principle, as well as exemplary embodiments of the installation according to the invention are described in detail in connection with the following Figs., wherein:

5 **Fig. 1** is a very schematic illustration of the installation according to the invention;

**Fig. 2** is a section of an exemplary embodiment of the processing drum of the installation according to the invention;

10 **Fig. 3A to 3D** show examples of packed objects of equal dimensions (e.g. printed products or small groups thereof) which can be produced by the installation according to the invention;

**Fig. 4 to 6** show three further schematically illustrated embodiments of the installation according to the invention;

**Fig. 7** shows a further embodiment of the removal area of an installation according to Fig. 1 or 4.

15 **Fig. 1** shows very schematically an exemplary embodiment of the installation according to the invention. This is viewed parallel to the axis of the processing drum 1 and in two separate setting modes (drawn in complete and chain lines) with regard to the distance between the tool elements, e.g. for processing two different formats of flat objects 10 and 10'.

20 The installation comprises, as already explained above, a processing drum 1 with an essentially horizontal axis, comprising support elements 2 and tool elements 3

arranged regularly and alternating around the periphery of the drum. These elements 2 and 3 extend axially across at least part of the drum. A pressing belt 4 is arranged around the processing drum, enabling the objects 10 to be pressed, and thus held, against the drum. The pressing belt runs e.g. across four passively rotating deflection 5 rollers 5, 6, 7 and 8. The deflection rollers are arranged in such a way that the pressing belt runs along a part of the drum periphery 1 from an entry point A to an exit point B. One of the deflection rollers (e.g. deflection roller 8) is spring mounted (positions 8 and 8') to keep the pressing belt 4 taut at varying peripheries and varying thickness of the objects.

10 The deflection roller 5 of the pressing belt 4, being the last one before the entry point in its machine direction, is positioned in such a way that the pressing belt 4 approaches the drum 1 from below. Thus the pressing belt 4 can convey loosely placed objects to be processed and, if required, support a continuous packing material to the periphery of the drum. Acting as a last part of the supply means the 15 pressing belt 4 should proceed as horizontally as possible between the deflection roller 5 and the entry point A. The pressing belt 4 being driven by the processing drum 1 (passively revolving deflection rollers), the speed of this last part of conveyance essentially corresponds with the speed of the periphery of the processing drum 1, regardless of the setting of the support and tool elements. As the position of 20 the deflection roller 5 remains constant independently of the drum radius, the objects to be processed can be passed on to the pressing belt in this area by any conveying means in a manner which is also independent of the drum diameter.

Fig. 1 does not show a removal means. As the processed objects (e.g. packed and separated from each other) leave the hold of the pressing belt 4 at the top of the drum 25 (exit point B), they can simply be left to fall down a corresponding ramp into a collecting container. The ramp swivels according to changes in the drum radius. Further embodiments of removal means are illustrated in the Figs. 4 to 6.

The embodiment of the installation according to the invention illustrated in Fig. 1 is equipped to pack flat objects 10 and 10'. For this purpose web of packing material 20 is supplied to the conveying stream of the flat objects prior to the entry point, e.g. by an upper and a lower roll 11 and 12. The packing material is drawn into the entry point A on both sides of the conveying stream together with the flat objects.

For example, the packing material 20 is a weldable plastic foil and the tool elements 3 are in the simplest case axial filaments slightly protruding from the drum periphery defined by the support elements 2 and being continuously heated. The side of the pressing belt 4 facing the processing drum is Teflon-coated. As soon as the two layers of plastic foil are compressed against the Teflon-coating of the pressing belt 4 between two objects by a filament, they are welded together and consequently separated as the filament continues to work and is pushed through both layers.

Welding and separating a common packaging foil as described above takes at least two tenths of a second. In the embodiment illustrated in Fig. 1 four conveying time cycles are available for the welding and separating steps, which means that the installation as shown can achieve a capacity of up to 20 packets per second. Even higher capacities may be achieved by constructing the installation in such a way that two, or even several parallel conveying streams run along the processing drum periphery, as suggested for a linear system in the publication EP-1188670. Capacities can also be increased by guiding the conveying stream along a greater part of the processing drum periphery and/or by increasing the number of tool elements arranged along the drum periphery (the drum radius being extended accordingly).

The longitudinal seam of the two lengths of packaging material is produced e.g. by a heated welding reel 21 of which one is arranged on either side of the pressing belt 4 in the area of the processing drum 1 and acting on the packaging material protruding

alongside the objects. The longitudinal seam may also be produced upstream of the entry point A, i.e. in the area of the supply means.

**Fig. 2** shows a front end of an exemplary processing drum 1 applicable in an installation according to the invention. The support elements 2 and tool elements 3 are each mounted on a radial support 30 which is guided to be radially adjustable in a guide 31 and comprises at its inner end an axial control bolt 32. The control bolts 32 move within spiral control ports 33 of a control disk being rotatable around the drum axis T relative to the arrangement of the support and the tool elements. In the case illustrated a clockwise turn of the control disk displaces the support and the tool elements outwards, an anti-clockwise turn inwards.

The support elements 2 of the embodiment according to Fig. 2 have level surfaces, and therefore are suitable for processing non-flexible objects; this in contrast to the support elements illustrated in Fig. 1 which are curved with a radius adapted to a medium drum radius.

For enabling production of various kinds of transverse seams the tool elements may be exchangeable, wherein their radial position would also have to vary in relation to the support elements. In such a case it is advantageous to provide a separate control means for each the support elements 2 and for the tool elements 3. Similarly to the embodiment according to Fig. 2, two control disks 34 with eight control ports 33 each are to be provided, instead of one control disk with sixteen control ports. Therein one control disks can be arranged on each face end of the processing drum 1.

Figs. 3A to 3D show exemplary packages of printed products or small groups thereof, all of which are shown in the same format but for which different gaps

between the printed products are necessary. Such different gaps are easily handlable using the installation according to the invention.

According to Fig. 3A the packing material is joined with a transverse seam 30 and separated in the middle thereof. If the packing material is weldable and the demands  
5 on the seams and on the neatness of separation are not very high this kind of transverse seam and separation can be performed by the aforementioned filaments, the transverse seam being of minimal width. For higher demands the transverse seam must be broader, i.e. it requires wider gaps between the printed products to be packed. The transverse seams are then advantageously produced using welding jaws  
10 and separate separating means, wherein both may be integrated in each tool element such that they are able to move in relation to each other. The separating means may also be equipped for an incomplete separation (perforation), or they may not be provided at all, so that the packaged printed products exiting at the exit point can be deposited in the shape of a folding stack or can be wound on to a coil and advanced  
15 in such a form.

If the packing material cannot be welded, the seam can be produced by embossing, by separation and consequent folding, or by other suitable per se known methods. For each case the tool elements are to be equipped and the distances between them are to be adjusted accordingly.

20 Fig. 3B shows a transverse joint consisting of two transverse seams 30 each and separation between the two transverse seams, the separation being again not necessarily complete.

Figs. 3C and 3D illustrate the gap adjustment which is necessary for printed products which have the same format but not the same thickness. If e.g. a daily newspaper is to be packaged in the manner described, a corresponding adjustment can easily be performed on a daily basis if an installation according to invention is used.

5 **Figs. 4 to 6** show three further exemplary embodiments of the installation according to invention, which are illustrated in a very schematic manner and which differ from the installation according to Fig. 1 in particular regarding the arrangement of the pressing belt and the construction of the supply means and/or the removal means. Identical elements are designated with the same reference numerals as in the  
10 preceding Figs. All embodiments are shown with a greater drum radius (drawn-out lines) and with a smaller drum radius (chain lines). It is clearly evident from Figs. 4 to 6 that operating the installation according to the invention makes no demands on the firmness of a continuous material conveyed to the processing (e.g. packaging material), as the objects to be processed are supported at all times during  
15 conveyance. It is therefore also possible to use the installation for processes not using such a material.

The installation according to Fig. 4 comprises the same arrangement of processing drum 1 and pressing belt 4 as the installation according to Fig. 1. The pressing belt serves as the last part of the supply means conveying the recumbent objects to be  
20 processed to the periphery of the processing drum 1, wherein this part of the supply means automatically adapts to a varying drum diameter. A further part of the supply means (e.g. conveyor belt 40) therefore need not be equipped for any adjustments.

The removal means also comprises a fixed non-adjustable removal belt 41, and a hinged ramp 42 down which the processed objects slide on to the removal belt 41.  
25 For the position of ramp 42 to be automatically adapted to the drum periphery, the

ramp is advantageously supported, possibly on rollers, on both sides of the conveying path of the objects by drum elements having a radial position which is adaptable together with the support and tool elements.

**Fig. 5** shows a further embodiment of the installation according to the invention, again comprising a processing drum 1 and a pressing belt 4, as also shown in Figs. 1 and 4. The installation comprises as the first part of the removal means a further belt 43, extending along a part of the drum periphery and being arranged between the drum periphery and the pressing belt 4. The further belt assumes the function of a first part of the removal means, adapting automatically to a varying drum diameter due to an appropriately arranged deflection roller 44 (first deflection roller of said belt following the exit point). Processed objects exiting at the exit point are removed from the drum periphery lying on the further belt and then by a fixed removal belt 41. The further belt 43 too comprises a spring mounted deflection roller 45 (and 45') which both keeps the further belt 43 under tension and compensates for the varying drum diameter.

As the tool elements must access the objects or a packing material through the further belt 43 extending along the drum periphery, said belt is designed e.g. as a plurality of pitched parallel strings and the tool elements comprise gaps through which the strings extend. The removal belt 41 may also consist of a plurality of strings, each running between two strings of the further belt 43 around the deflection roller 44, thus creating an uninterrupted removal means whose first part, facing exit point B, automatically adapts to a varying drum diameter.

Similarly, the pressing belt 4 and the supply belt 40 may consist of part belts or strings running alternately around deflection roller 5.

- 15 -

The conveying path of the objects which have are to be processed or are already processed, is indicated by arrows in Fig. 5. This path leads along the supply belt 40 and the pressing belt 4 to the entry point A, from there along the drum periphery to the exit point B, and from there along the further belt 43 on to the removal belt 41.

5 Obviously, the installation may also be operated in the opposite direction so that the pressing belt 4 forms the first part of the removal means and the further belt 43 the last part of the supply means.

**Fig. 6** shows an embodiment of the installation according to the invention, in which, with the aid of a last deflection roller 5 before the entry point and a first deflection roller 50 after the exit point, the pressing belt 4 serves as the last part of the supply means as well as the first part of the removal means. These parts automatically adapt to a varying drum diameter and can be connected to a stationary part of a further conveying means.

10

**Fig. 7** shows, like in Fig. 1, a further embodiment of the exit point B which may be applied in the installations according to Figs. 1 and 4. The support elements 2 of the processing drum are designed to be able to pivot around an axis 51 located on the trailing side of the element and they comprise control rollers 52 on the other side of the axis. During drum rotation the control rollers 52 run along a cam (not illustrated) which is stationary during operation but whose radial position is adjustable together with the radial position of the support and processing elements. The cam is designed in such a way that the support elements are pivoted around the axis at the exit point B, to spread the downstream edges of the support element away from the drum periphery in order to pass the processed objects on to a removal means (not illustrated).

15

20

## amended under Article 34

- 1 -

## Amended CLAIMS

1. Installation for processing flat objects (10) conveyed consecutively and parallel to the conveying direction, which installation comprises a supply means, a removal means and a processing drum (1) being driven in rotation around an essentially horizontal axis (T), wherein the processing drum (1) is arranged between the supply means and the removal means in such a way that the objects are supplied by the supply means to an entry point (A) at the periphery of the processing drum (1) and are removed from the periphery of the processing drum at an exit point (B) by the removal means, wherein the processing drum (1) comprises regularly alternating support elements (2) and tool elements (3) which extend axially and whose radial position is adjustable, and wherein the processing drum further comprises a pressing belt (4) running on the periphery of the processing drum (1) between the entry point (A) and the exit point (B), **characterized in that** the pressing belt (4) is arranged by means of a last deflection roller (5) before the entry point and/or by means of a first deflection roller (50) after the exit point to form at least a last part of the supply means and/or at least a first part of the removal means, upon which part the objects (10) are able to be conveyed to the drum periphery and/or away from the drum periphery, wherein said deflection rollers (5, 50) have a position which is independent of the radial position of the support and tool elements and wherein further conveyor parts are arranged to adjoin said deflection rollers in a manner which is independent of the radial position of the support and tool elements.
2. Installation according to claim 1, **characterized in that** the entry point (A) is situated in a lower, and the exit point (B) in an upper area of the processing drum (1), that the pressing belt (4) forms the last part of the supply means and that the first part of the removal means is a pivoting ramp (43).

- 2 -

3. Installation according to claim 1, **characterized in that** the entry point (A) is situated in a lower, and the exit point (B) in an upper area of the processing drum (1), that the pressing belt (4) forms the last part of the supply means, and that, for transferring the processed objects to the removal means, the downstream sides of the support elements (2) are designed to spread from the drum periphery at the exit point (B).
4. Installation according to claim 1, **characterized in that** the entry point (A) is situated in a lower, and the exit point (B) in an upper area of the periphery of the processing drum (1), that the pressing belt (4) forms the last part of the supply means, that a further belt (43) is arranged to run between the periphery of the processing drum (1) and the pressing belt (4) and to run on the periphery of the processing drum (1) between the entry point (A) and the exit point (B), and that the further belt (43) is arranged, by way of another first deflection roller (44) after the exit point to form the first part of the removal means.
5. Installation according to claim 1, **characterized in that** the entry point (A) is arranged in a lower, and the exit point (B) in an upper area of the periphery of the processing drum (1), that the pressing belt (4) forms the last part of the supply means, that a further belt (43) is arranged to run between the periphery of the processing drum (1) and the pressing belt (4) and to run on the periphery of the processing drum (1) between the entry point (A) and the exit point (B), and that the further belt (43) is arranged, by way of another last deflection roller (44) after the exit point to forms the last part of the supply means.
6. Installation according to any one of claims 4 or 5, **characterized in that** the further belt (43) consists of a plurality of pitched parallel strings.

- 3 -

7. Installation according to any one of claims 1 to 6, **characterized in that** the support elements (2) and the tool elements (3) are interconnected with a control means such that by activating the control means all support elements (2) and/or all tool elements (3) are simultaneously displaced radially.
- 5 8. Installation according to any one of claims 1 to 7, **characterized in that** the support elements (2) comprise a variable width at right angles to their axial extension.
9. Installation according to any one of claims 1 to 8, **characterized in that**, for differing processes, the tool elements (3) are exchangeable.
- 10 10. Installation according to any one of claims 1 to 9, **characterized in that** the installation further comprises means (11, 12) to supply a web of an auxiliary material such that the auxiliary material and the objects move along the drum periphery together.
- 15 11. Installation according to claim 10, **characterized in that** the tool elements (3) are equipped to separate or partly separate the auxiliary material between the objects.
- 20 12. Installation according to claim 10 or 11, **characterized in that** the auxiliary material is a packing material (20) and that further supply means (11, 12) are designed in such away that the packing material (20) travels on both sides of the objects (10) on the processing drum (1).

- 4 -

13. Installation according to claim 12, **characterized in that** the packing material (20) is a weldable packaging foil and that the tool elements (3) comprise welding means.
  
14. Installation according to claim 13, **characterized in that** the tool elements (3) comprise welding wires extending in the direction of an axis of the processing drum (1), which welding wires protrude from the drum periphery defined by the support elements (2) and are essentially continuously heated and co-operate with a Teflon-coating on the pressing belt (4).
  
15. Use of the installation 1 to 14 for packing printed products or small groups of printed products.

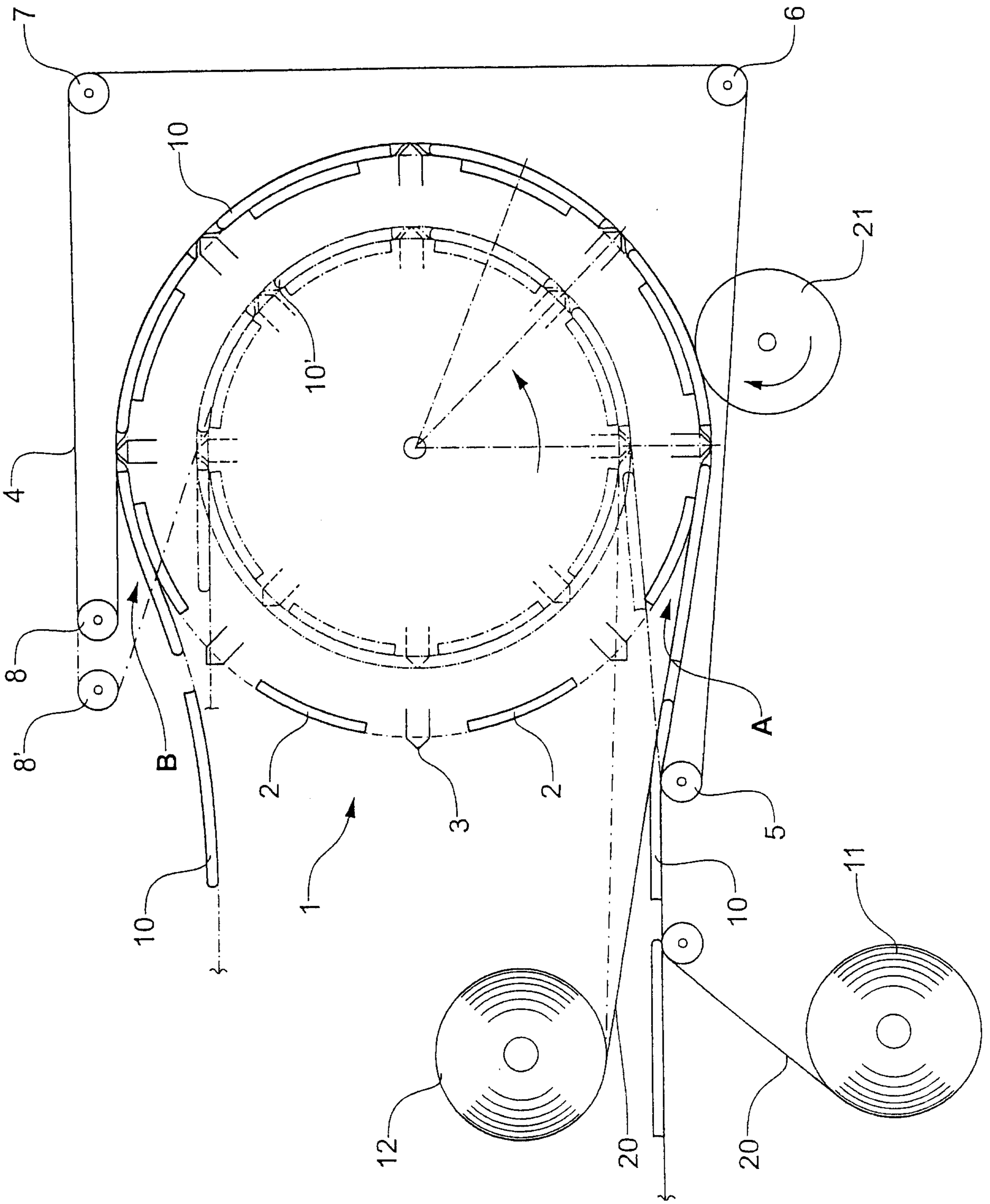


Fig.1

Fig.2

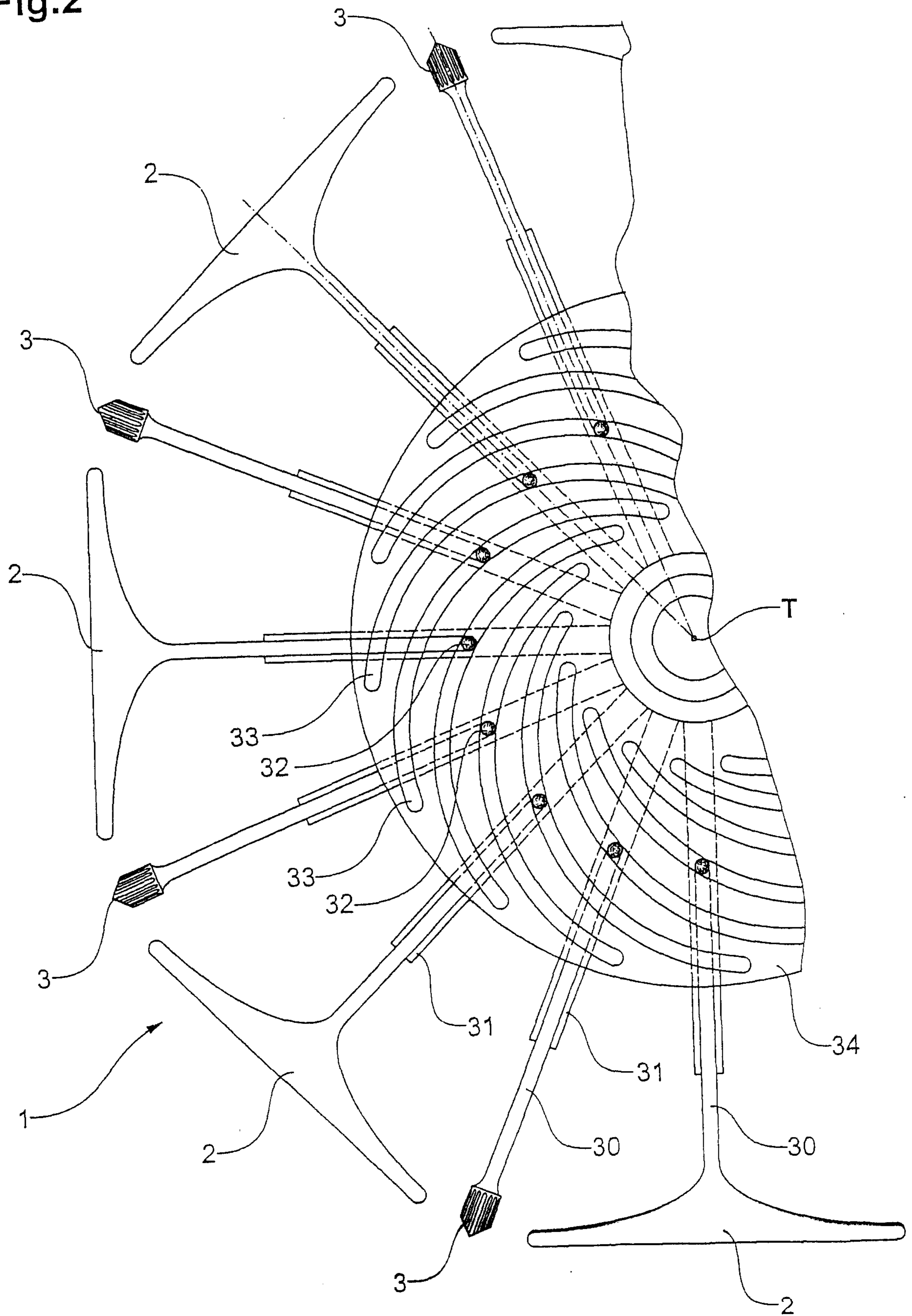


Fig.3A

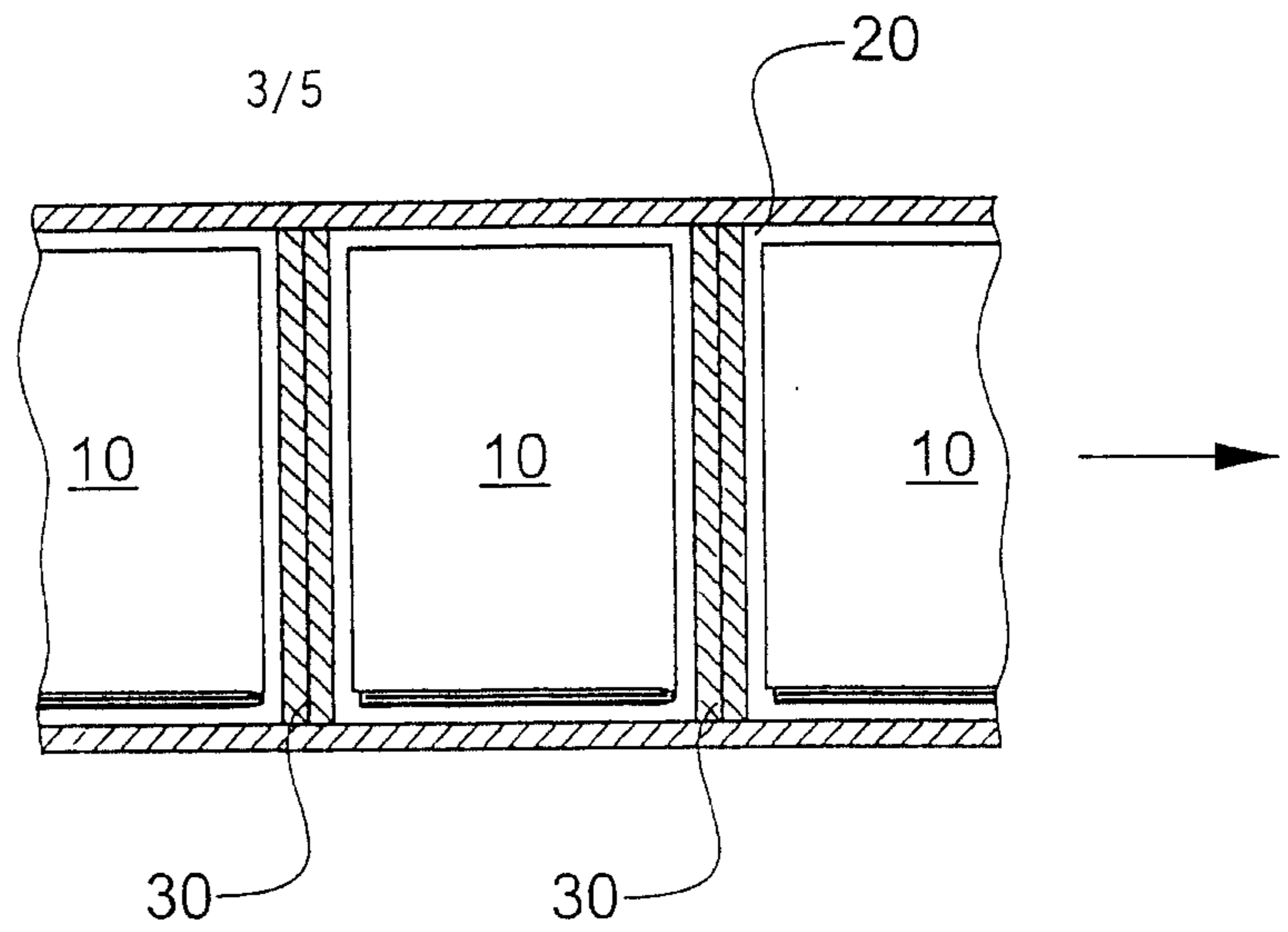


Fig.3B

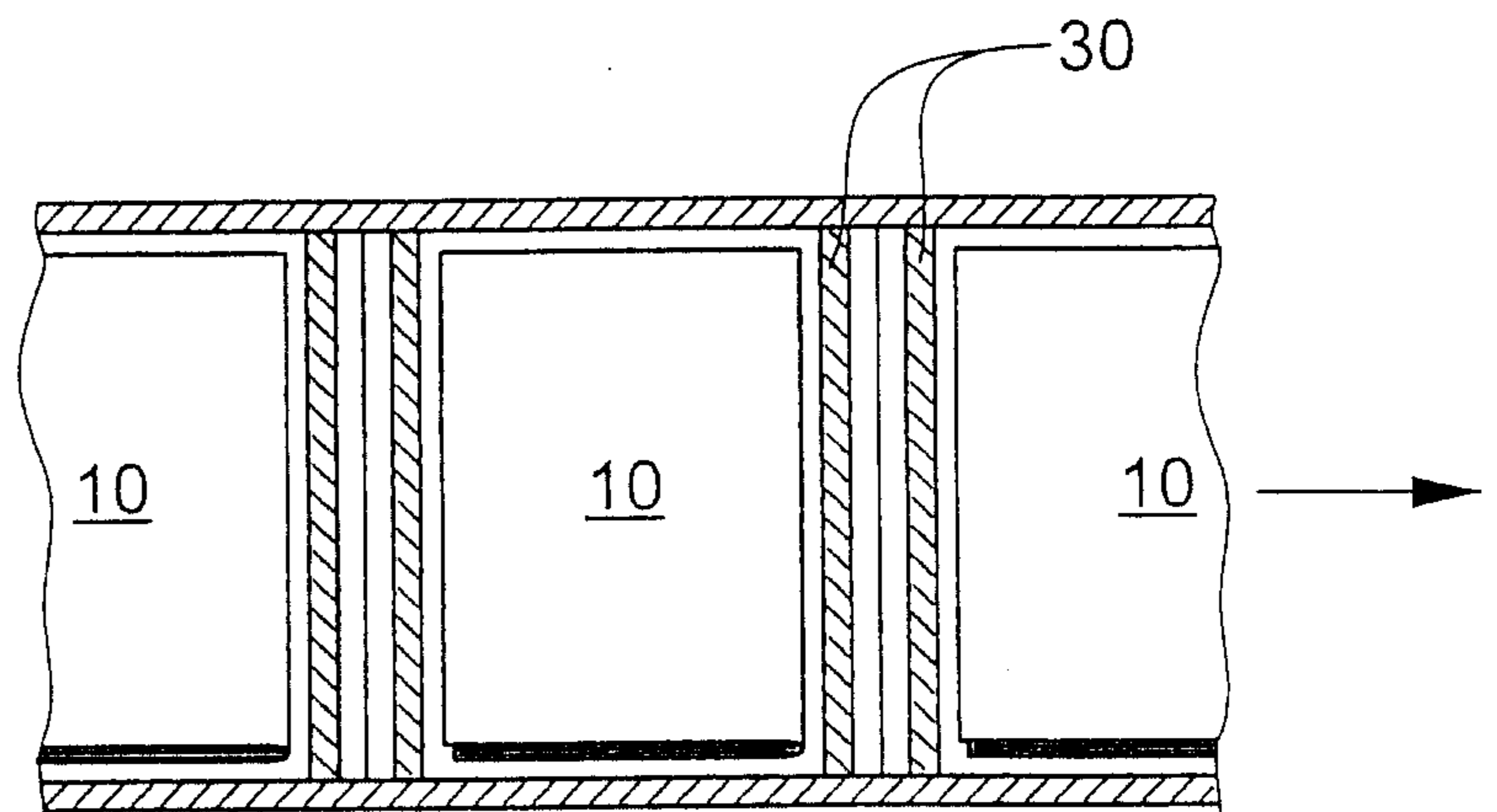


Fig.3C

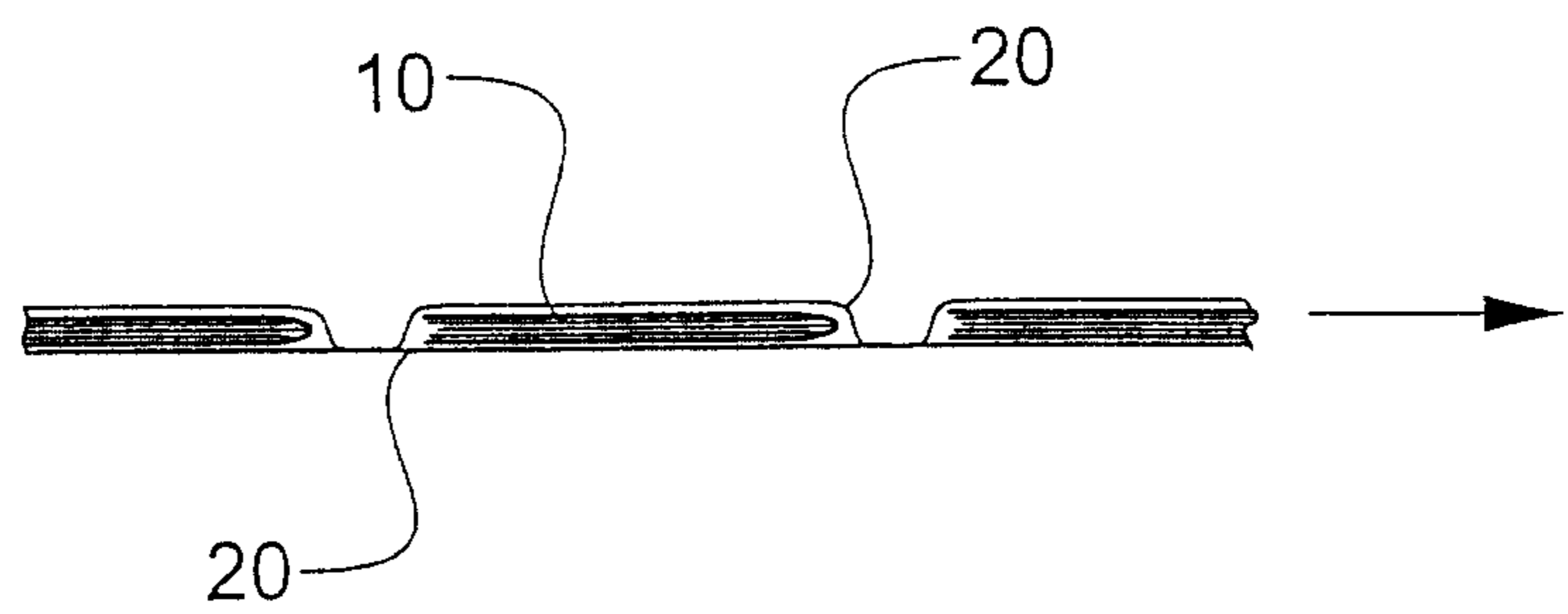
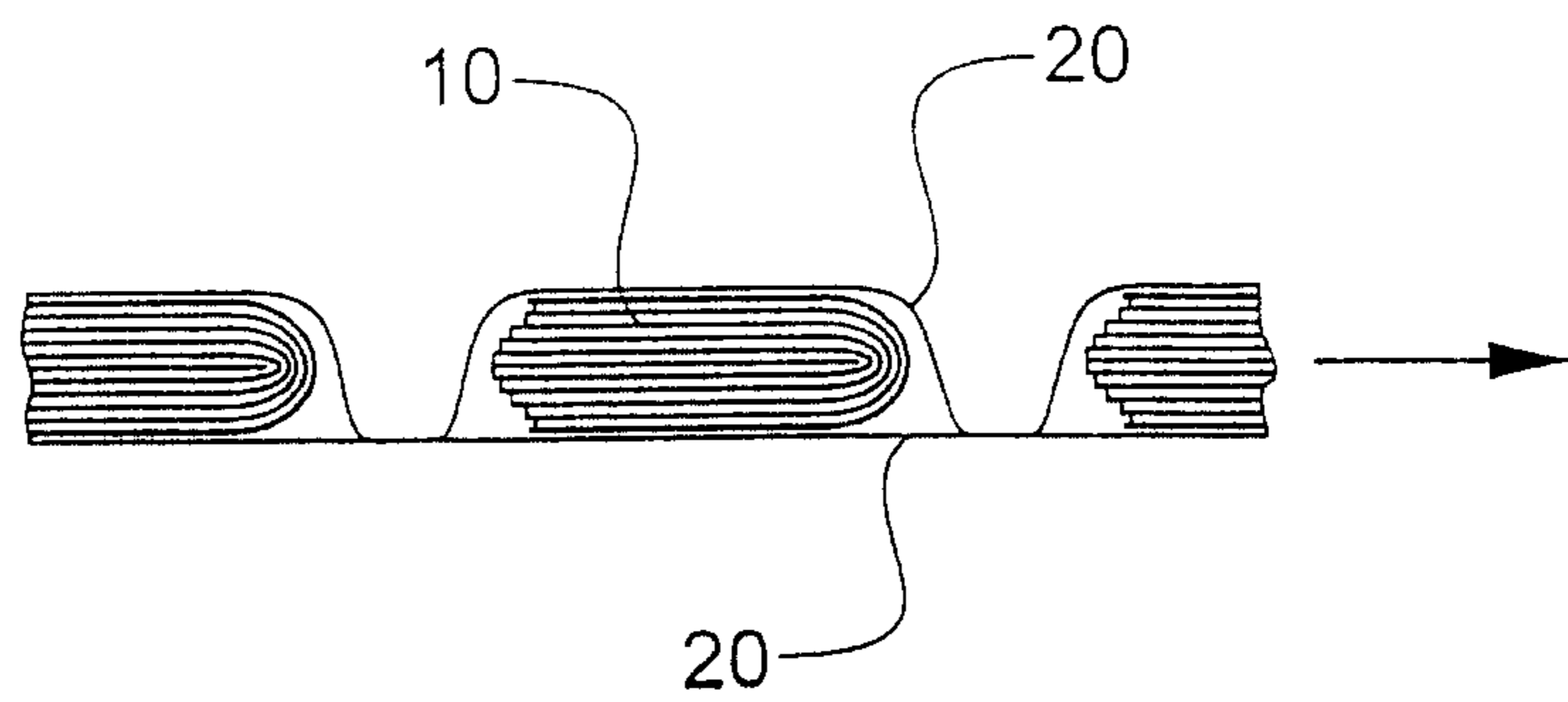
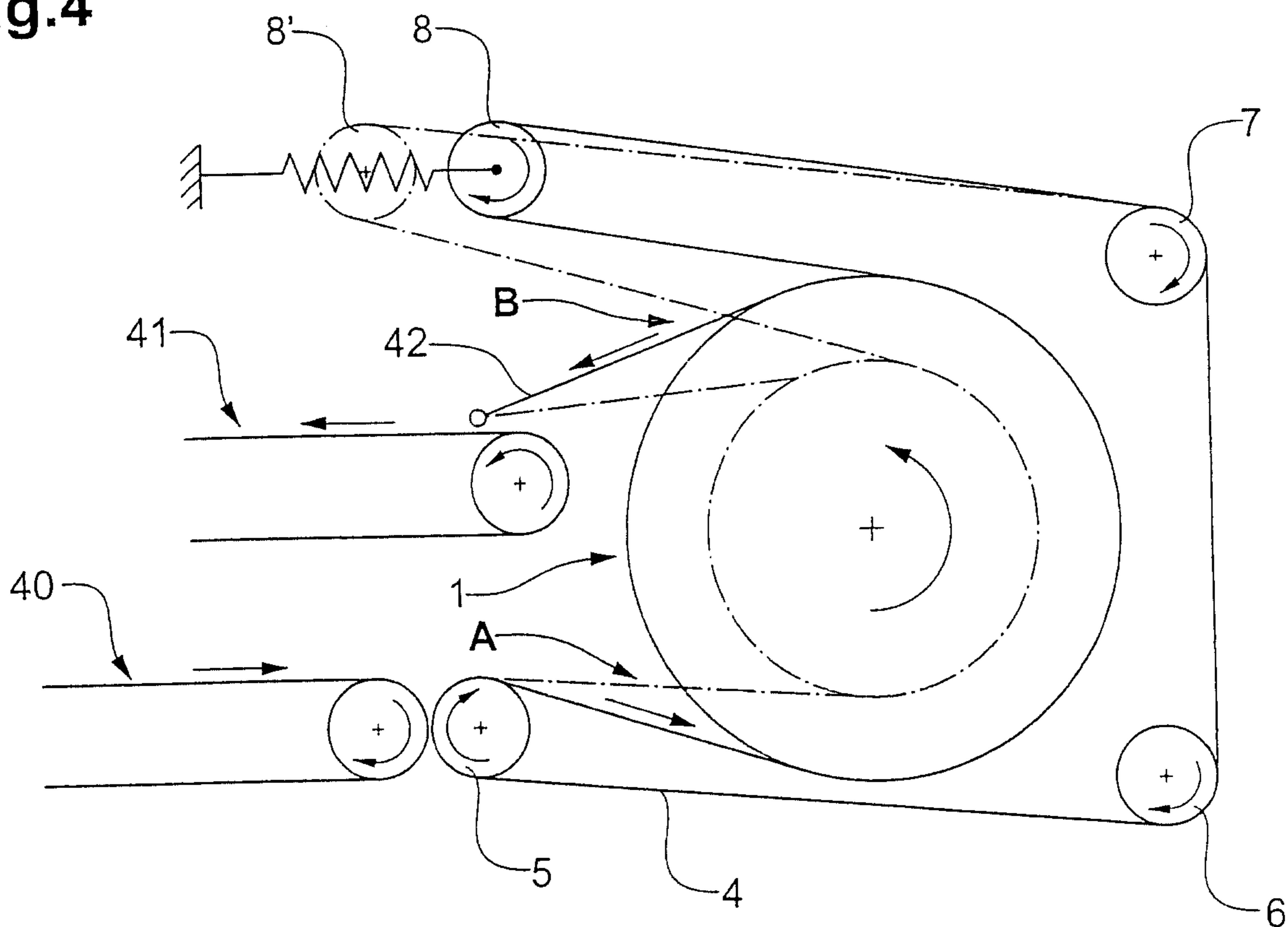


Fig.3D



**Fig.4**



**Fig.5**

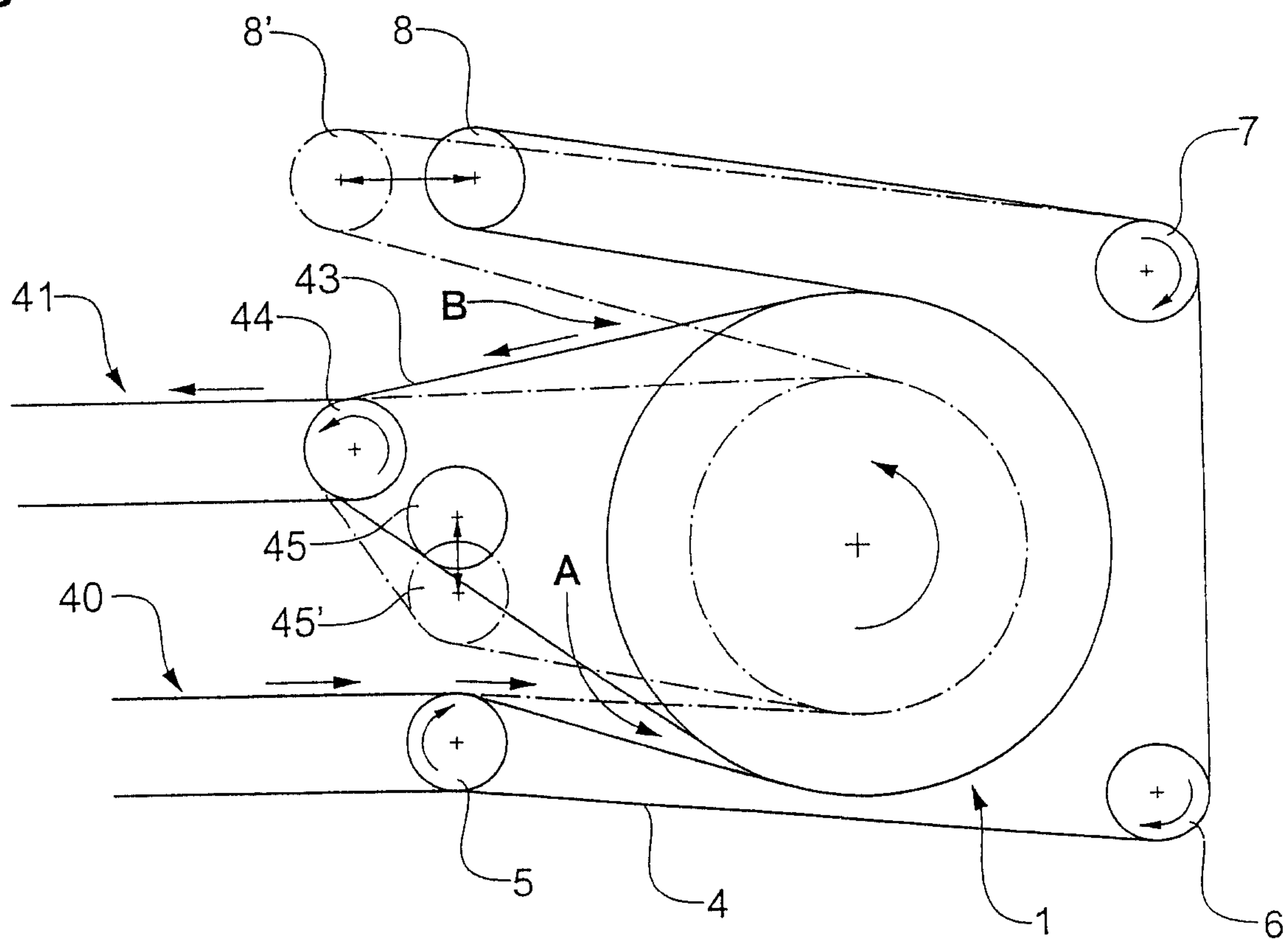


Fig.6

5/5

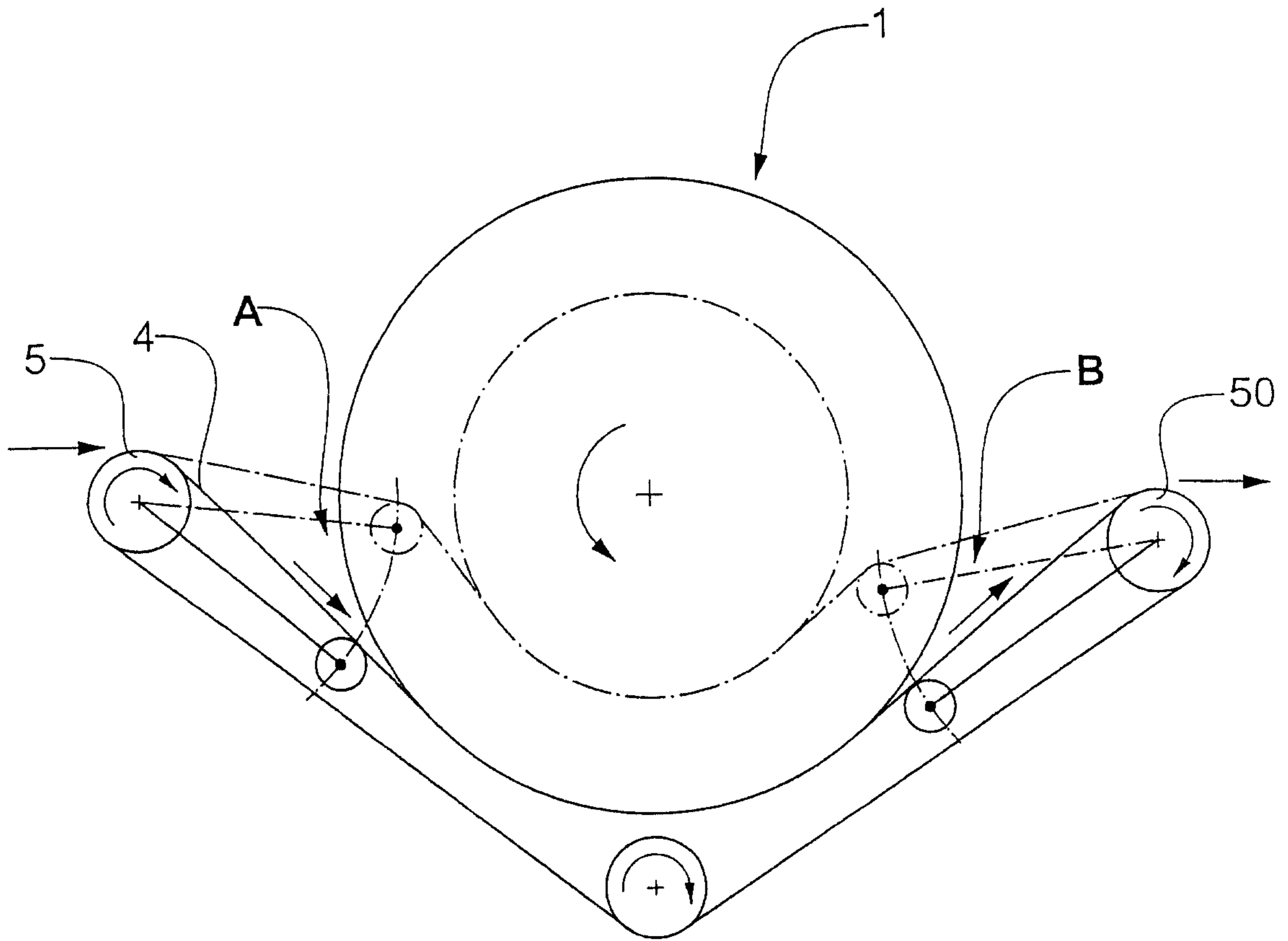


Fig.7

