



US00D359697S

United States Patent [19]

[11] Patent Number: **Des. 359,697**

Dumas

[45] Date of Patent: **** Jun. 27, 1995**

[54] WATCH

[75] Inventor: **Jean-Louis Dumas**, Paris, France

[73] Assignee: **La Montre Hermes, Limited**, Bienne, Switzerland

[**] Term: **14 Years**

[21] Appl. No.: **11,584**

[22] Filed: **Aug. 10, 1993**

[30] **Foreign Application Priority Data**
 Feb. 15, 1993 [WO] WIPO DM/025719

[52] U.S. Cl. **D10/39**

[58] Field of Search D10/39, 32, 30, 122, D10/123, 126

[56] **References Cited**
U.S. PATENT DOCUMENTS
 D. 313,366 1/1991 Grinberg et al. D10/126

OTHER PUBLICATIONS

Hong Kong Enterprise, Oct. 1989, p. 85.
 Swiss Watch and Jewelry Journal, Feb. 1988 p. 171.

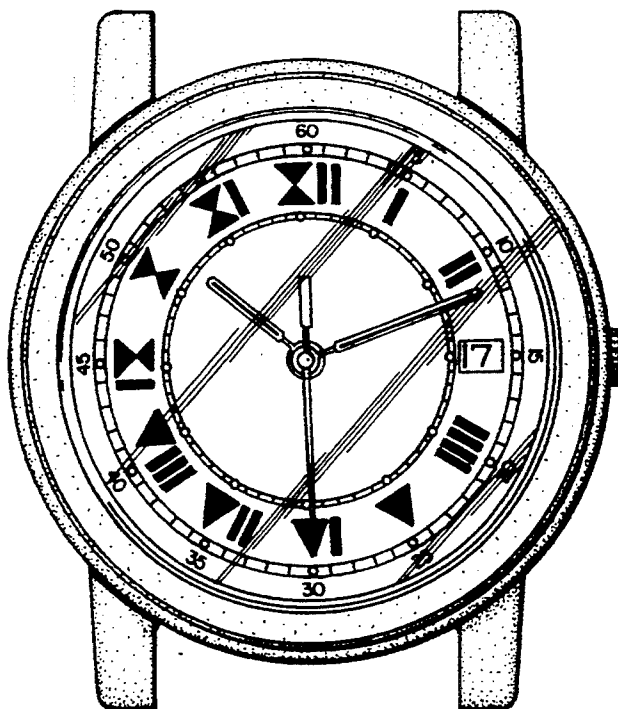
Primary Examiner—Alan P. Douglas
Assistant Examiner—Cathron B. Matta
Attorney, Agent, or Firm—Popham, Haik, Schnobrich & Kaufman, Ltd.

[57] CLAIM

The ornamental design for a watch, as shown and described.

DESCRIPTION

FIG. 1 is a top view of a watch, incorporating the teachings of the present invention;
 FIG. 2 is a right side view of the watch of FIG. 1;
 FIG. 3 is a left side view of the watch of FIG. 1;
 FIG. 4 is an end view of the watch of FIG. 1. The other end view (not shown) of the watch is a mirror image of the end view of FIG. 4; and,
 FIG. 5 is a bottom view of the watch of FIG. 1.



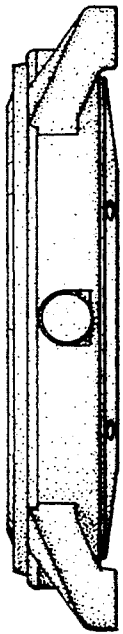


FIG. 2

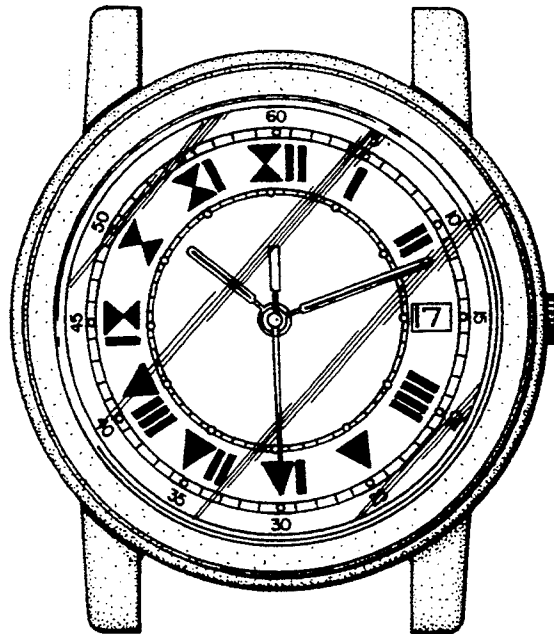


FIG. 1



FIG. 3



FIG. 4

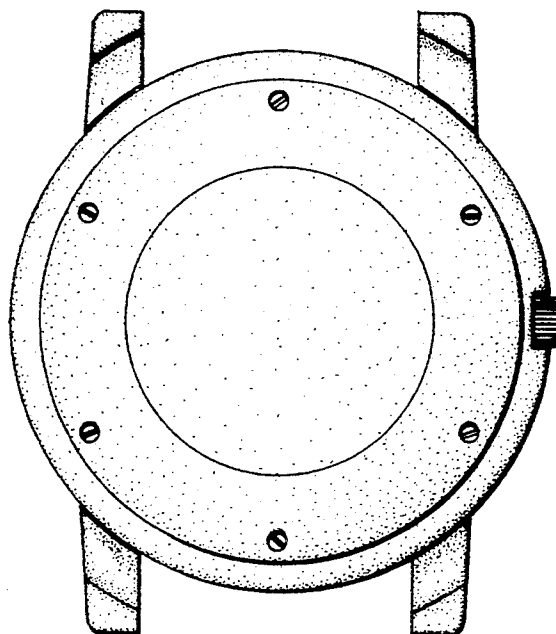


FIG. 5