



(12) **United States Design Patent**
Skalka

(10) **Patent No.:** **US D724,872 S**
(45) **Date of Patent:** **** Mar. 24, 2015**

- (54) **TABLE**
- (71) Applicant: **Victor Stanley, Inc.**, Dunkirk, MD (US)
- (72) Inventor: **Gerald Skalka**, Potomac, MD (US)
- (73) Assignee: **Victor Stanley, Inc.**, Dunkirk, MD (US)
- (**) Term: **14 Years**
- (21) Appl. No.: **29/460,359**
- (22) Filed: **Jul. 10, 2013**
- (51) **LOC (10) Cl.** **06-03**
- (52) **U.S. Cl.**
USPC **D6/692.4**
- (58) **Field of Classification Search**
CPC A47B 37/04; A47B 2200/1063; A37B
2220/0009
USPC D6/692, 692.4, 692.6, 691.6, 708.16;
108/50.12, 150, 153.1, 156, 157.1,
108/161; 248/188, 188.1
See application file for complete search history.

(56) **References Cited**

U.S. PATENT DOCUMENTS

2,799,543 A * 7/1957 Tomaselli 108/50.12
D192,323 S * 3/1962 Shaw D6/330

(Continued)

OTHER PUBLICATIONS

"A-I-424 Anthro-Sites™ Series Steel Table, Backless Seats Wood Slats," Victor Stanley, Inc. (Mar. 15, 2012).

(Continued)

Primary Examiner — Janice Seeger
(74) *Attorney, Agent, or Firm* — Westerman, Hattori, Daniels & Adrian, LLP

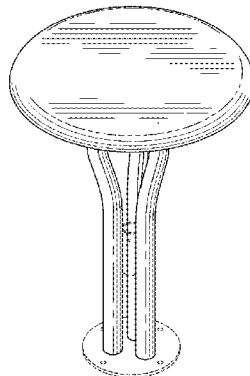
(57) **CLAIM**
The ornamental design for a table, as shown and described.

DESCRIPTION

FIG. 1 is an isometric view of a table showing a first embodiment of my new design.

FIG. 2 is a front elevational view of the table of FIG. 1. FIG. 3 is a bottom plan view of the table of FIG. 1. FIG. 4 is a left side elevational view of the table of FIG. 1, the right side elevational view being a mirror image thereof. FIG. 5 is a top plan view of the table of FIG. 1. FIG. 6 is a back elevational view of the table of FIG. 1. FIG. 7 is an isometric view of a table showing a second embodiment of my new design. FIG. 8 is a front elevational view of the table of FIG. 7. FIG. 9 is a bottom plan view of the table of FIG. 7. FIG. 10 is a left side elevational view of the table of FIG. 7, the right side elevational view being a mirror image thereof. FIG. 11 is a top plan view of the table of FIG. 7. FIG. 12 is a back elevational view of the table of FIG. 7. FIG. 13 is an isometric view of a table showing a third embodiment of my new design. FIG. 14 is a front elevational view of the table of FIG. 13. FIG. 15 is a left side elevational view of the table of FIG. 13, the right side elevational view being a mirror image thereof. FIG. 16 is a bottom plan view of the table of FIG. 13. FIG. 17 is a top plan view of the table of FIG. 13. FIG. 18 is a back elevational view of the table of FIG. 13. FIG. 19 is an isometric view of a table showing a fourth embodiment of my new design. FIG. 20 is a front elevational view of the table of FIG. 19. FIG. 21 is a left side elevational view of the table of FIG. 19, the right side elevational view being a mirror image thereof. FIG. 22 is a bottom plan view of the table of FIG. 19. FIG. 23 is a top plan view of the table of FIG. 19; and, FIG. 24 is a back elevational view of the table of FIG. 19. The article is shown in FIGS. 13-15, 18, 19-21, and 24 with a symbolic break in its length. The appearance of any portion of the article between the break lines forms no part of the claimed design. The broken line showing of a bottom mounting plate in FIGS. 1-4, 6, 7-10, 12, 13-16, 18, 19-22, and 24; the broken line showing of under-table bracing and an under-table mounting plate in FIGS. 2-4, 6, 8-10, 12, 14-16, 18, 20-21, and 24; the broken line showing of a leg joint interior to the legs in FIGS. 1, 2, 4, 7, 8, 10, 13-15, and 19-21; the broken line showing of an umbrella in FIGS. 7 and 19, and the broken line showing of a mounting surface and a footing in FIGS. 13-15, 18, 19-21, and 24, are included for the purpose of illustrating use and environment and form no part of the claimed design.

1 Claim, 7 Drawing Sheets



(56)

References Cited

U.S. PATENT DOCUMENTS

5,197,394 A * 3/1993 Schmidt 108/50.12
D366,372 S * 1/1996 Skarda, Jr. D6/417
D648,575 S * 11/2011 Gasser D6/499

OTHER PUBLICATIONS

“A-426 Anthro-Sites™ Series Steel Table, Backless Seats With Wood Slats,” Victor Stanley, Inc. (May 23, 2012).

“PR SCT-42R Production Series™ All Steel Round Cafe Table,” Victor Stanley, Inc. (Nov. 8, 2012).

“Model PR SCT-36R: Round café table. Shown with optional umbrella hole,” Victor Stanley, Inc. (2003).

“RND-363 Steelsites™ Series Standard All Steel Table And Seat Combination,” Victor Stanley, Inc. (2010).

* cited by examiner

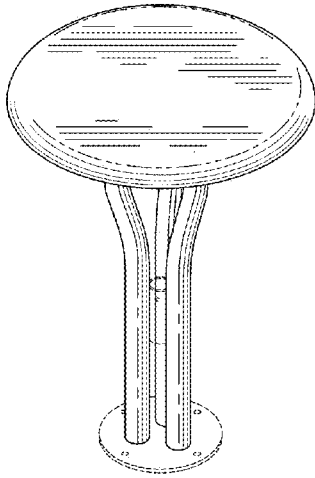


FIG.1

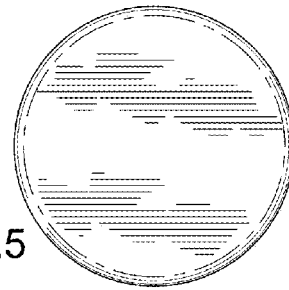


FIG.5

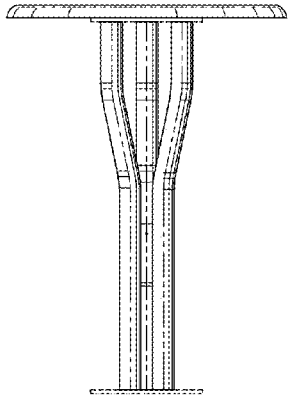


FIG.2

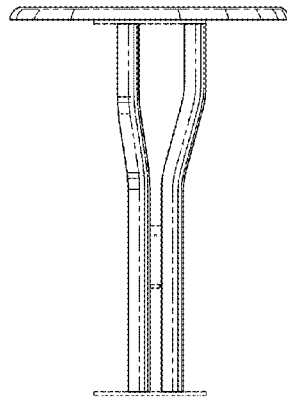


FIG.4

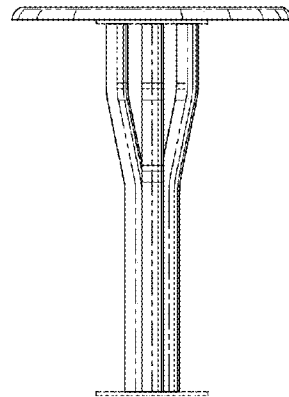


FIG.6

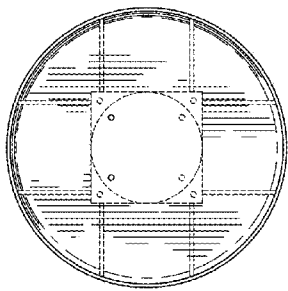


FIG.3

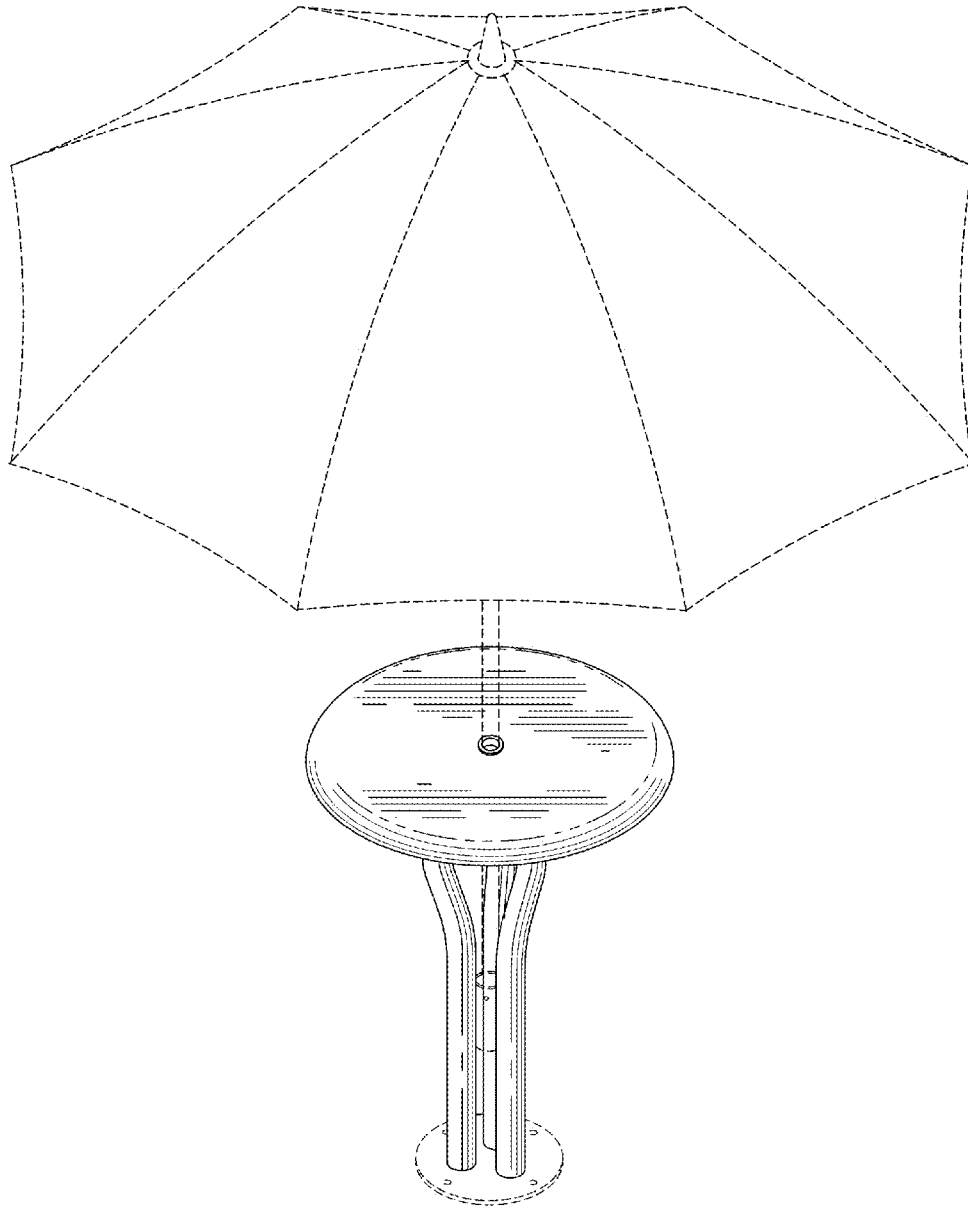


FIG.7

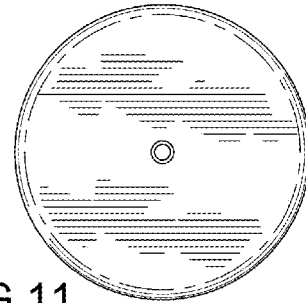


FIG. 11

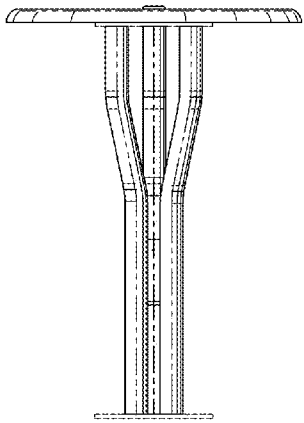


FIG. 8

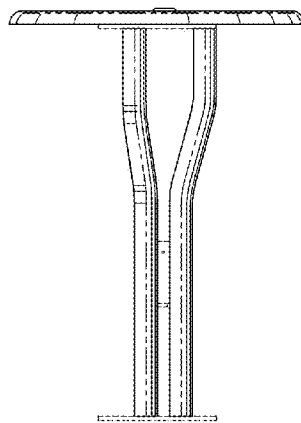


FIG. 10

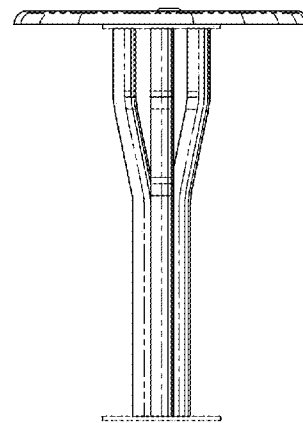


FIG. 12

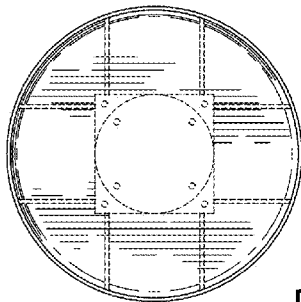


FIG. 9

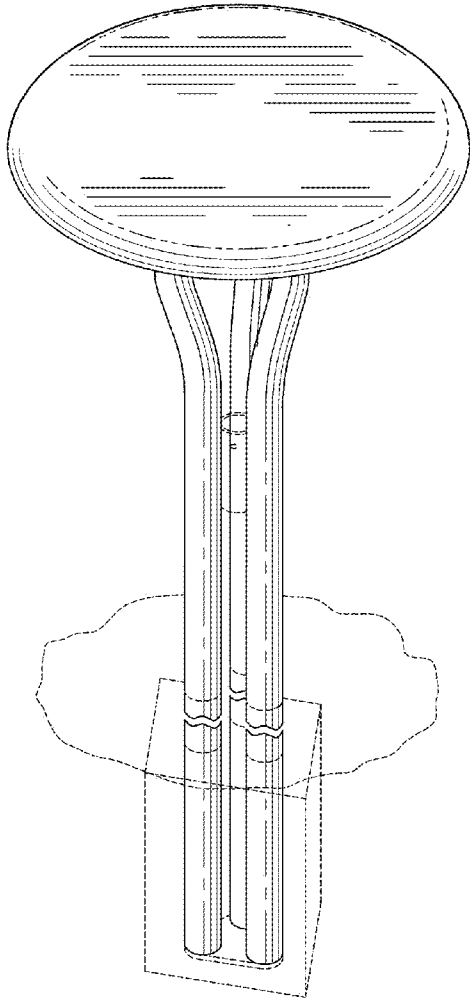


FIG. 13

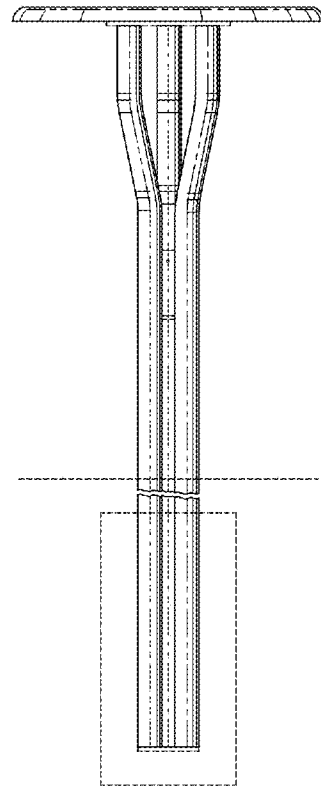


FIG. 14

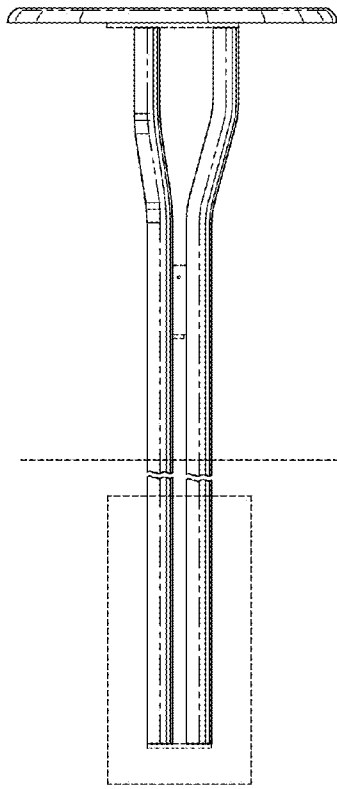


FIG. 15

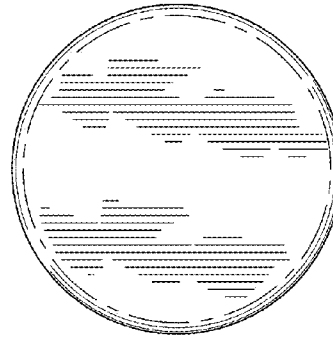


FIG. 17

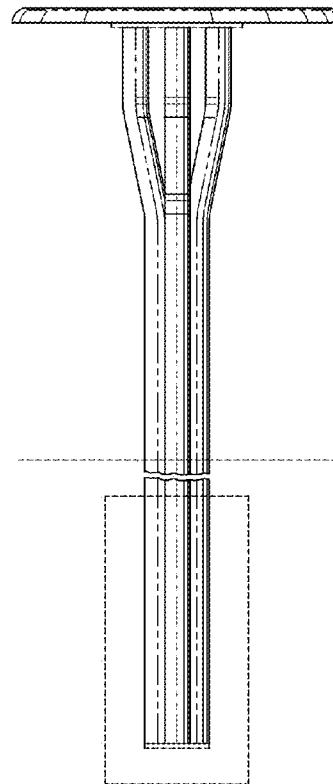


FIG. 18

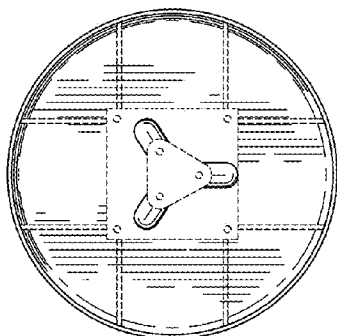


FIG. 16

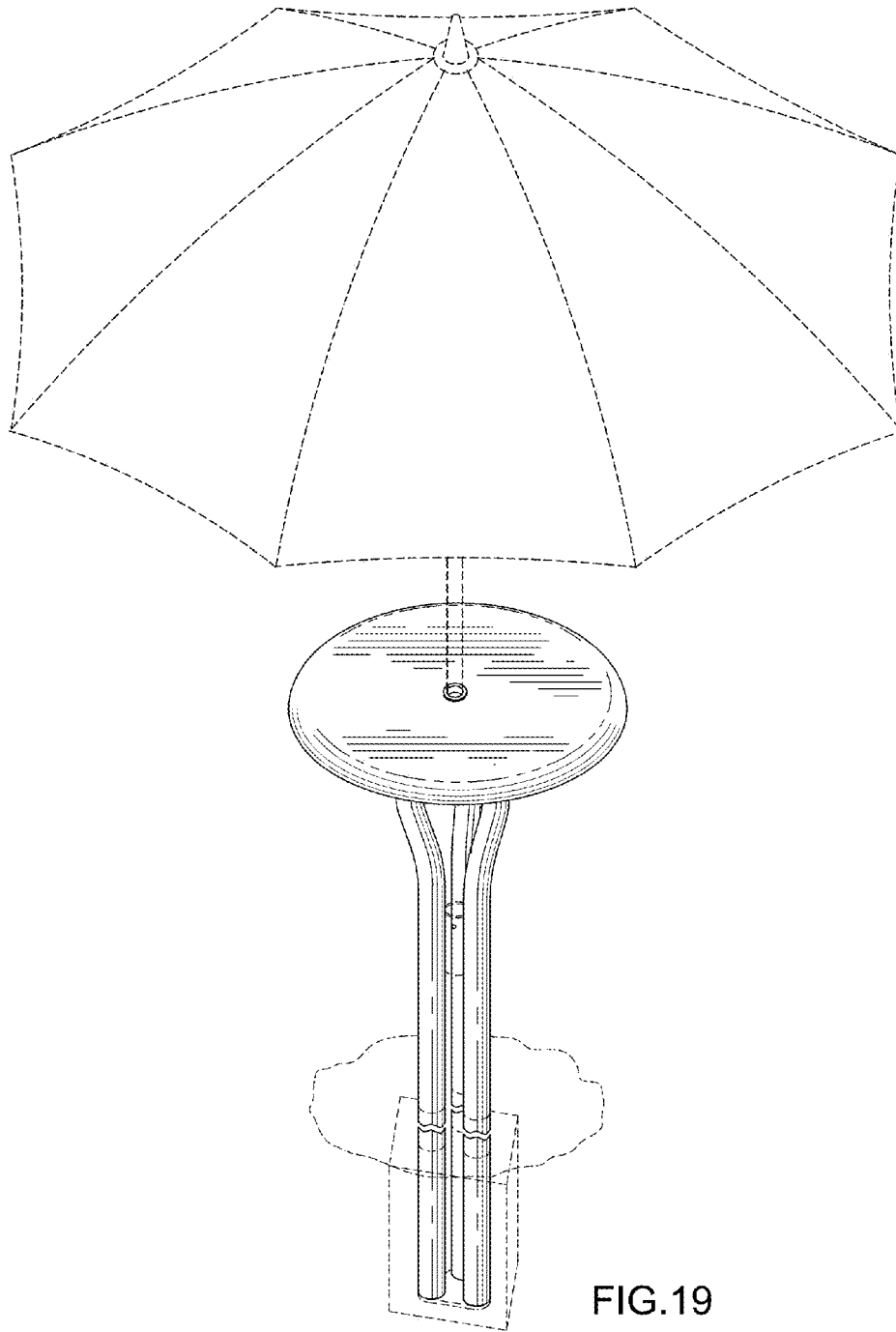


FIG.19

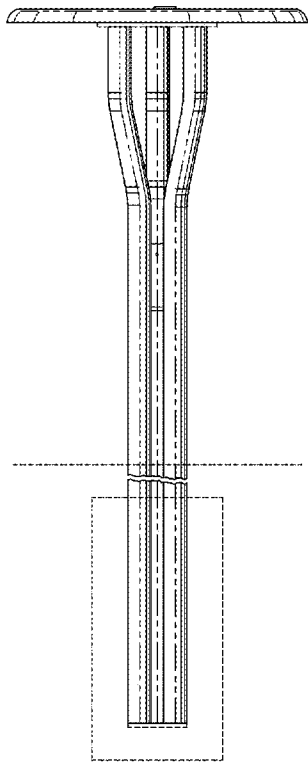


FIG. 20

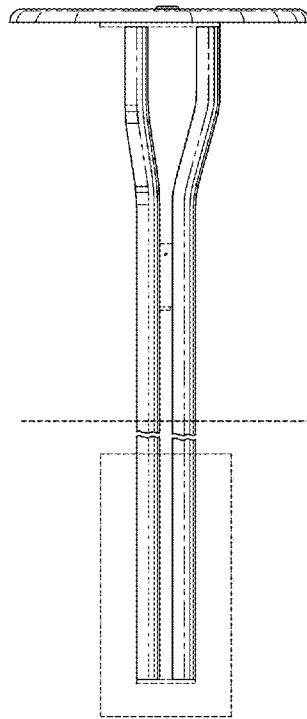


FIG. 21

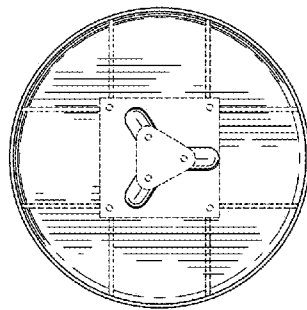


FIG. 22

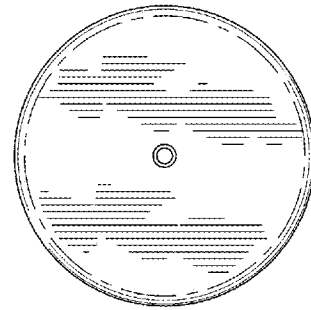


FIG. 23

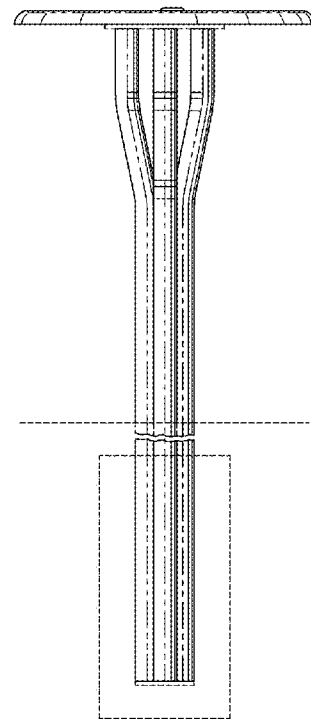


FIG. 24