



US00D484156S

(12) **United States Design Patent** (10) **Patent No.:** **US D484,156 S**  
**Tanio** (45) **Date of Patent:** **\*\* Dec. 23, 2003**

(54) **DIGITAL CAMERA**

D467,953 S \* 12/2002 Suzuki et al. .... D16/202

(75) Inventor: **Satoru Tanio**, Hachioji (JP)

\* cited by examiner

(73) Assignee: **Olympus Optical Co., Ltd.**, Tokyo (JP)

*Primary Examiner*—Adir Aronovich  
(74) *Attorney, Agent, or Firm*—Hogan & Hartson LLP

(\*\*) Term: **14 Years**

(57) **CLAIM**

(21) Appl. No.: **29/172,827**

The ornamental design for a digital camera, as shown and described.

(22) Filed: **Dec. 18, 2002**

**DESCRIPTION**

(30) **Foreign Application Priority Data**

Sep. 24, 2002 (JP) ..... 2002-026047  
Sep. 24, 2002 (JP) ..... 2002-026048  
Sep. 24, 2002 (JP) ..... 2002-026049

FIG. 1 is a front and right side perspective view of a digital camera showing my new design;

(51) **LOC (7) Cl.** ..... **16-01**

FIG. 2 is a rear and left side perspective view thereof;

(52) **U.S. Cl.** ..... **D16/202; D16/212**

FIG. 3 is a front view thereof;

(58) **Field of Search** ..... **D16/200–204,**

**D16/208, 209, 212, 218; 348/373–376;**  
**358/906, 909.1; 396/6, 7, 349, 448, 535–541**

FIG. 4 is a rear view thereof;

FIG. 5 is a top plan view thereof;

FIG. 6 is a bottom plan view thereof;

FIG. 7 is a right side view thereof;

FIG. 8 is a left side view thereof;

FIG. 9 is a top plan view thereof showing the state in which the lens barrier is opened and the photographing lens is extended;

(56) **References Cited**

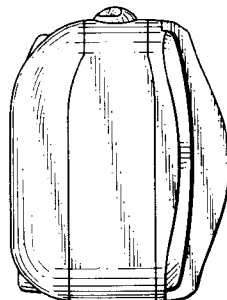
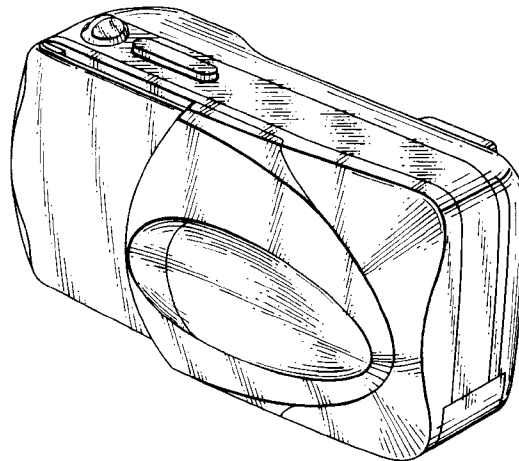
**U.S. PATENT DOCUMENTS**

5,913,089 A \* 6/1999 Ebe ..... 396/448  
D415,511 S \* 10/1999 Funakoshi et al. .... D16/209  
D437,868 S \* 2/2001 Naito ..... D16/212  
D449,059 S \* 10/2001 Shimobayashi ..... D16/202  
D449,324 S \* 10/2001 Iue et al. .... D16/202  
6,347,893 B1 \* 2/2002 Shiono et al. .... 396/448  
D465,800 S \* 11/2002 Suzuki et al. .... D16/202

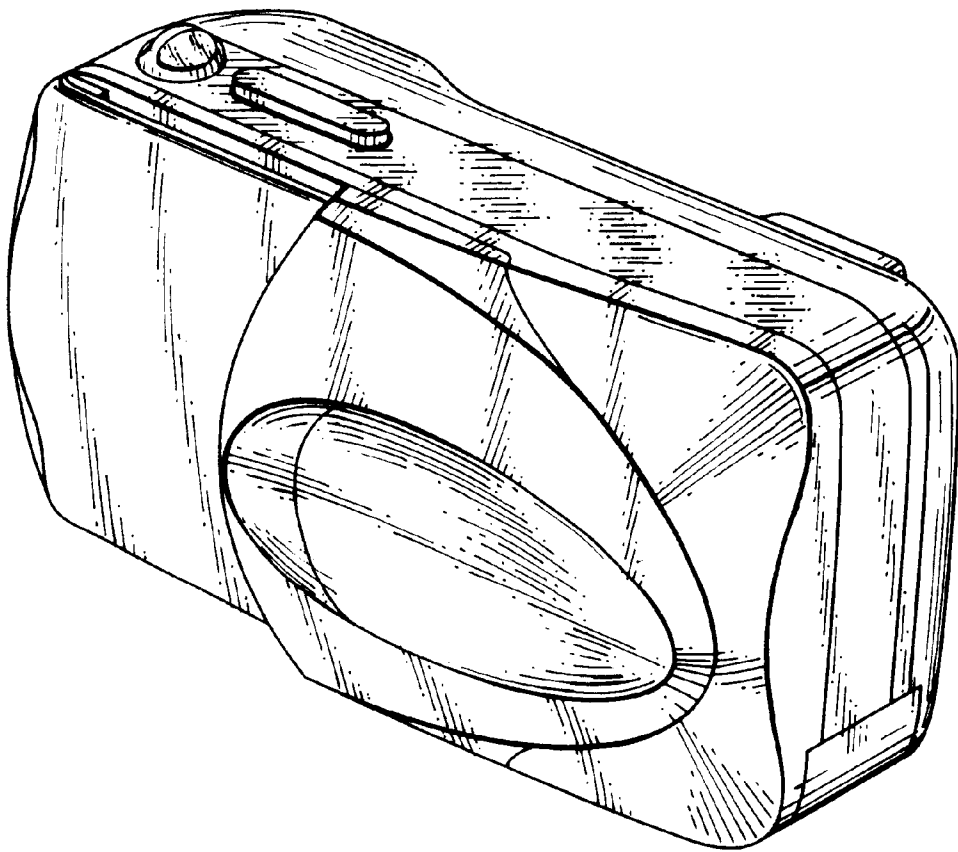
FIG. 10 is a front view thereof showing the state in which the lens barrier is opened and the photographing lens is extended; and,

FIG. 11 is a right side view thereof showing the state in which the lens barrier is opened and the photographing lens is extended.

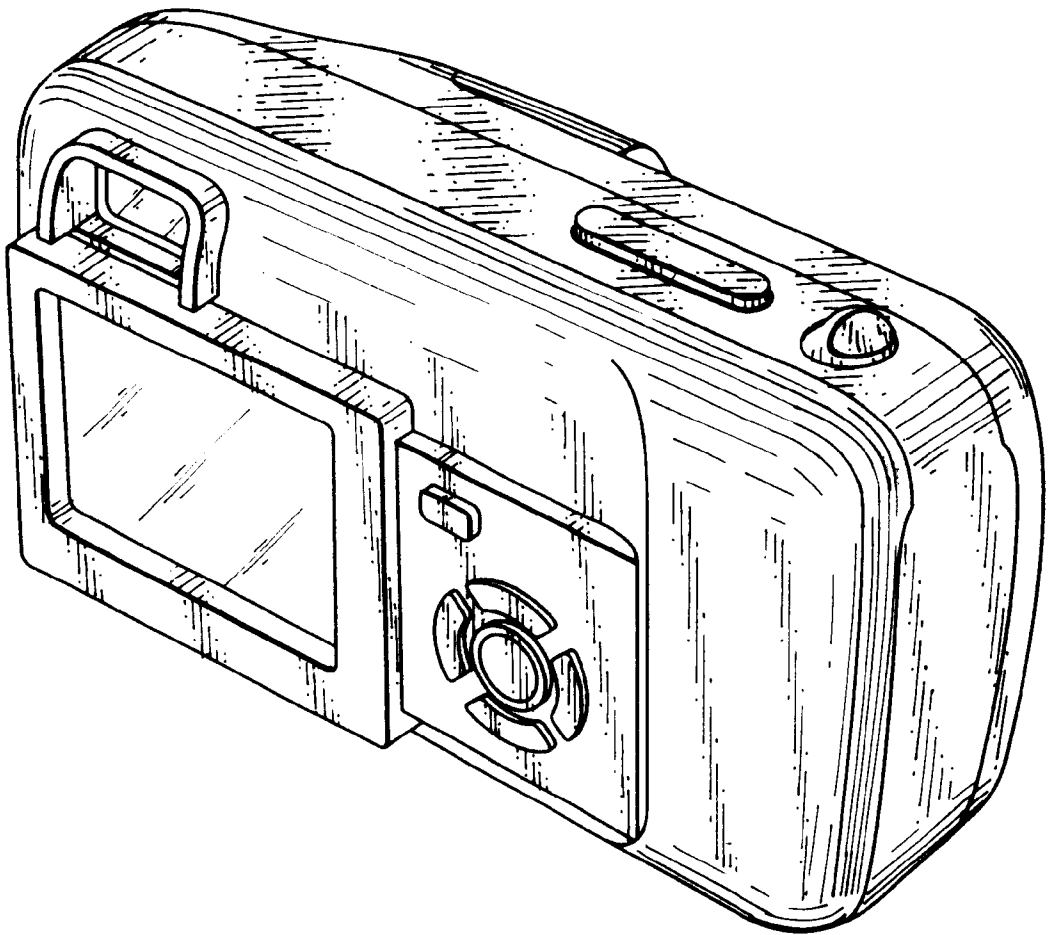
**1 Claim, 7 Drawing Sheets**



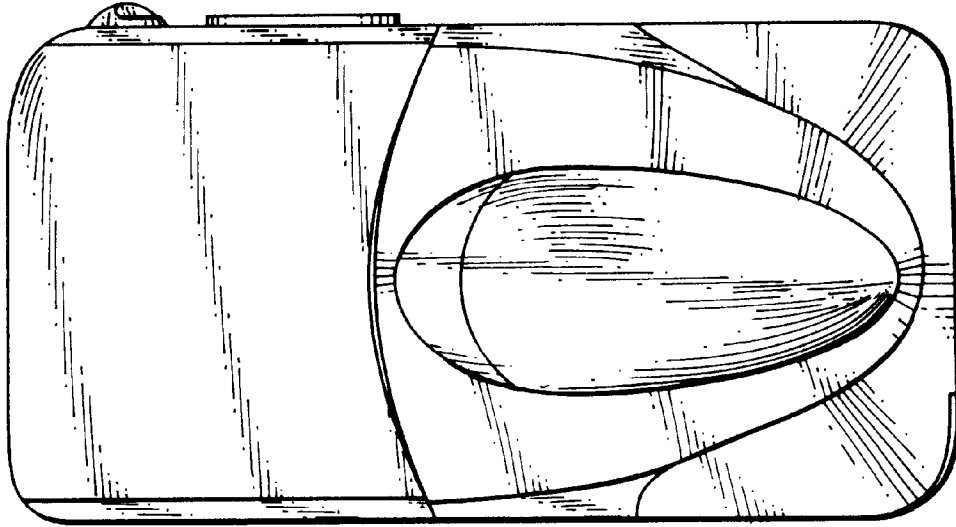
**FIG.1**



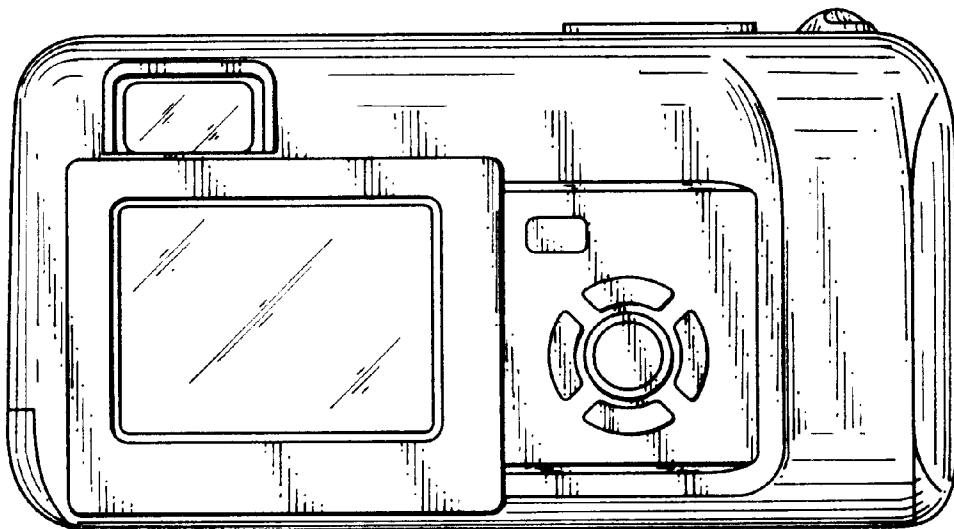
**FIG.2**



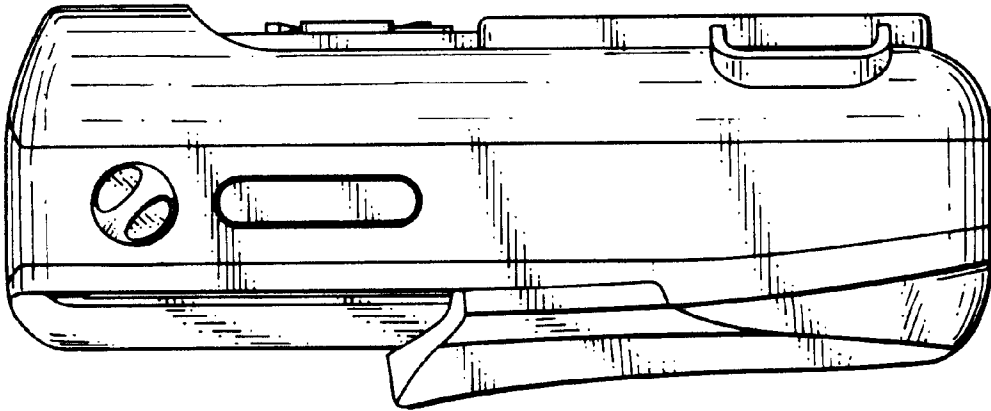
**FIG.3**



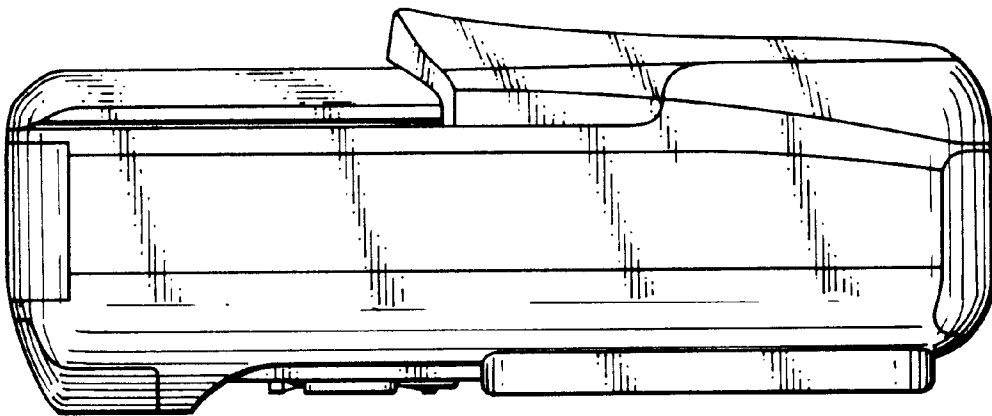
**FIG.4**



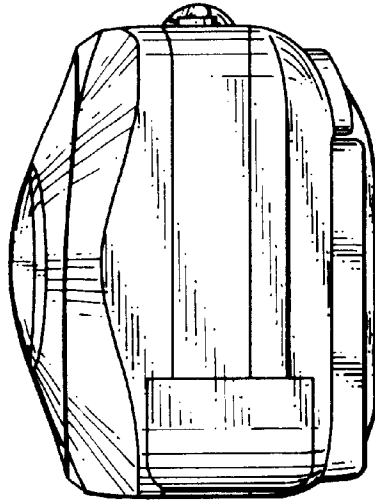
**FIG.5**



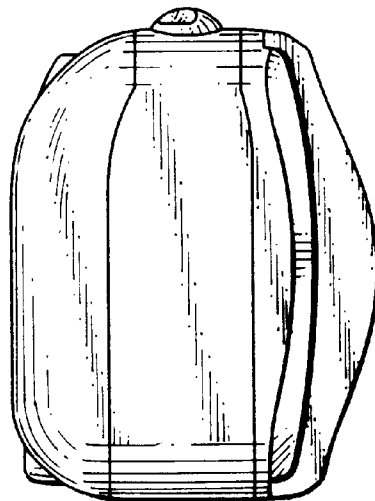
**FIG.6**



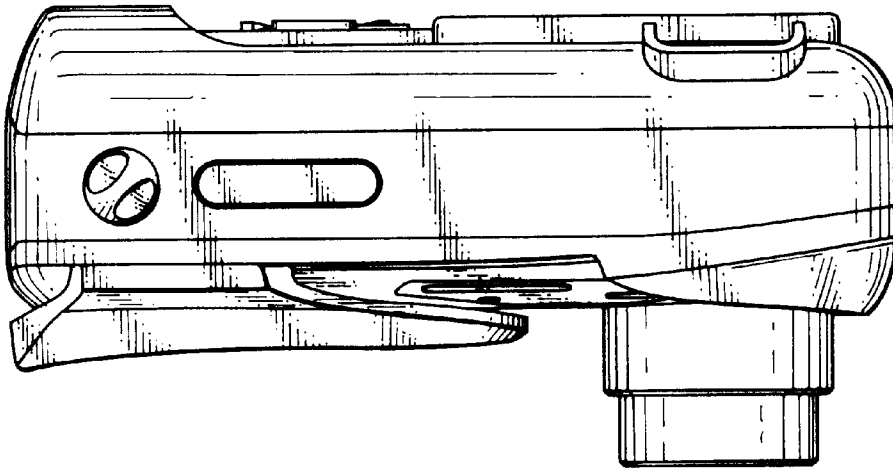
**FIG.7**



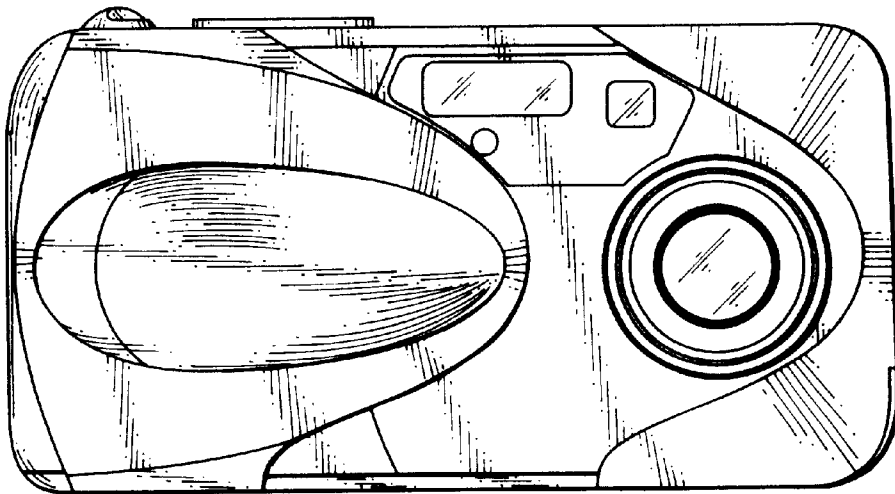
**FIG.8**



**FIG.9**



**FIG.10**



# FIG. 11

