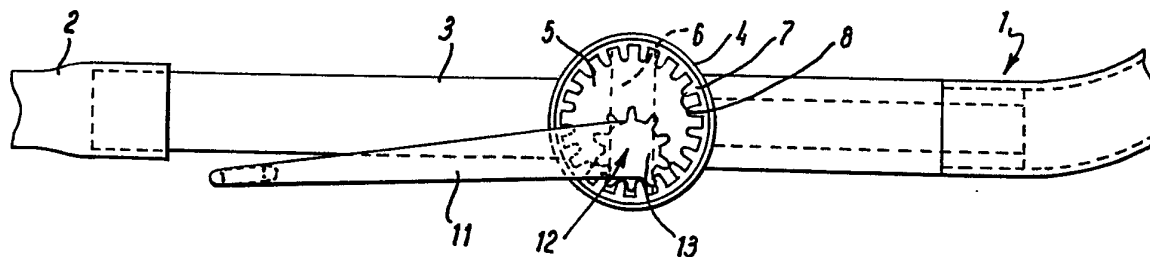




INTERNATIONAL APPLICATION PUBLISHED UNDER THE PATENT COOPERATION TREATY (PCT)

<p>(51) International Patent Classification ⁵ : A61F 5/44, F16K 5/00</p>	<p>A1</p>	<p>(11) International Publication Number: WO 91/03217 (43) International Publication Date: 21 March 1991 (21.03.91)</p>
<p>(21) International Application Number: PCT/GB90/01356 (22) International Filing Date: 3 September 1990 (03.09.90) (30) Priority data: 8919872.5 2 September 1989 (02.09.89) GB (71) Applicant (for all designated States except US): SETON HEALTHCARE GROUP PLC [GB/GB]; Tubiton House, Medlock Street, Oldham, Lancashire OL1 3HS (GB). (72) Inventor; and (75) Inventor/Applicant (for US only) : COLLYER, Graham, John [GB/GB]; 80 Woolley Bridge, Hollingworth, Via Hyde, Cheshire SK14 8NX (GB). (74) Agents: WHALLEY, Kevin et al.; M'Caw & Co., 41-51 Royal Exchange, Cross Street, Manchester M2 7BD (GB).</p>		<p>(81) Designated States: AT, AT (European patent), AU, BB, BE (European patent), BF (OAPI patent), BG, BJ (OAPI patent), BR, CA, CF (OAPI patent), CG (OAPI patent), CH, CH (European patent), CM (OAPI patent), DE*, DE (European patent)*, DK, DK (European patent), ES, ES (European patent), FI, FR (European patent), GA (OAPI patent), GB, GB (European patent), HU, IT (European patent), JP, KP, KR, LK, LU, LU (European patent), MC, MG, ML (OAPI patent), MR (OAPI patent), MW, NL, NL (European patent), NO, RO, SD, SE, SE (European patent), SN (OAPI patent), SU, TD (OAPI patent), TG (OAPI patent), US.</p> <p>Published <i>With international search report. Before the expiration of the time limit for amending the claims and to be republished in the event of the receipt of amendments.</i></p>

(54) Title: CLOSURE MEANS FOR FLOW CONTROL



(57) Abstract

A tap for interconnection between a urine collection bag (1) and a tube (2) joined to a reservoir bag, has tubing (3) incorporating a barrel (4). A cylindrical control member (5) is mounted within the barrel (4) and is movable between open and closed positions by way of a lever arm (11). The lever arm (11) and control member (5) are connected in one embodiment by intermeshed gears (7, 13) arranged so that the lever arm (11) must be moved through 180° to move from open to closed positions, whereby the lever arm (11) lies alongside the tubing (3). In alternative embodiments, the intermeshed gears (7, 13) are replaced by a lost motion arrangement.

DESIGNATIONS OF "DE"

Until further notice, any designation of "DE" in any international application whose international filing date is prior to October 3, 1990, shall have effect in the territory of the Federal Republic of Germany with the exception of the territory of the former German Democratic Republic.

FOR THE PURPOSES OF INFORMATION ONLY

Codes used to identify States party to the PCT on the front pages of pamphlets publishing international applications under the PCT.

AT	Austria	ES	Spain	MC	Monaco
AU	Australia	FI	Finland	MG	Madagascar
BB	Barbados	FR	France	ML	Mali
BE	Belgium	GA	Gabon	MR	Mauritania
BF	Burkina Fasso	GB	United Kingdom	MW	Malawi
BG	Bulgaria	GR	Greece	NL	Netherlands
BJ	Benin	HU	Hungary	NO	Norway
BR	Brazil	IT	Italy	PL	Poland
CA	Canada	JP	Japan	RO	Romania
CF	Central African Republic	KP	Democratic People's Republic of Korea	SD	Sudan
CG	Congo	KR	Republic of Korea	SE	Sweden
CH	Switzerland	LI	Liechtenstein	SN	Senegal
CM	Cameroon	LK	Sri Lanka	SU	Soviet Union
DE	Germany	LU	Luxembourg	TD	Chad
DK	Denmark			TG	Togo
				US	United States of America

-1-

Closure means for flow control.

TECHNICAL FIELD

This invention relates to a closure means in the form of a tap particularly although not exclusively for use with a urine collection bag.

BACKGROUND ART

With urine bags that are attached to the upper or lower leg for daytime use, it is usual to provide a shut off tap where the bag is to be connected to a bedside bottle or bag for overnight use. The tap is customarily connected to the bag in a length of tubing close to the person's body and this can give rise to problems in the usual case where the tap has a projecting lever arm which is movable between a closed position generally parallel to the length of tubing and an open position generally at right angles thereto. In the open position the projecting lever arm may press into the person's body and may be inadvertently moved to the closed position for example when the person turns over in his sleep.

An object of the present invention is to provide a tap having a lever arm which need not project unduly in either open or closed positions thereof.

DISCLOSURE OF THE INVENTION

According to the invention therefore there is provided a tap comprising an elongate passage incorporating a barrel, a control member movable between open and closed positions within the barrel, and a lever arm connected to the control member to effect movement thereof, characterised in that the lever arm is movable so as to extend in opposite directions generally longitudinally of the said passage in each said position of the control member.

With this arrangement conveniently the tap is operated by a lever arm but there is no need for the arm

-2-

to project unduly from the elongate passage in with the open or closed positions of the tap.

Preferably the lever arm is connected to the control member via an intermediate device which is arranged such 5 that the movement of the lever arm between the opposite longitudinal positions thereof corresponds to a much smaller degree of angular movement (preferably about 90°) of the control member.

Thus in one embodiment the intermediate device 10 comprises a gear arrangement which may comprise meshing toothed gears which may give substantially 2:1 gearing or any other suitable ratio. The lever arm may have a toothed wheel which meshes with the inner toothed periphery of a ring on the control member.

15 In a further embodiment the intermediate device comprises a lost motion linkage whereby the control member is drivably linked with the lever arm over only part (e.g. approximately half) of the path of movement thereof. Thus, the lever arm may be pivotally connected 20 to the control member with an abutment on the lever arm which is engageable with an abutment on the control member to effect drivable interconnection therebetween during said part of said path of movement.

BRIEF DESCRIPTION OF THE DRAWINGS

25 The invention will now be described further by way of example only and with reference to the accompanying drawings in which:-

Figs. 1 to 3 are side views in different operating positions of one form of a tap according to the 30 invention;

Fig. 4 is a sectional view through the tap of Fig.1;

Figs. 5 to 8 are views corresponding to Figs. 1 to 4 of an alternative embodiment; and

Figs. 9 to 12 are views corresponding to Figs. 1 to 35 4 of a yet further embodiment.

- 3 -

BEST MODES FOR CARRYING OUT THE INVENTION

Referring to Figs. 1 to 4, a tap is interconnected between a urine collection bag 1, for example of the kind commonly referred to as a 'Leg Bag' and a tube 2 joined to an overnight reservoir bottle or bag. 5 The tap comprises a length of tubing 3 with a transverse cylindrical barrel 4 containing a close fitting cylindrical control member 5 with a through diametrically extending bore 6. The barrel 4 has opposite side openings in communication with the tubing 3.

At one end, the control member 5 has an outwardly directed 10 peripheral ring-shaped extension 7 with equally spaced teeth 8 on its inner periphery. At the other end the member 5 has a ring-shaped extension 9 which engages a shaped end part 10 of the barrel.

The tap further comprises a lever arm 11 having a forked structure 12 at one end which straddles the barrel 4. A small toothed wheel 13 15 is formed integrally with one part of the forked structure and is located within so as to mesh with the toothed ring 7. The opposed part 14 of the forked structure 12 seats pivotally in the shaped end part 10 of the barrel 4.

The lever arm 11 can be pivoted, by rotation of the wheel 13 in 20 mesh with the ring 7, between one limit position in which the lever arm 11 extends generally longitudinally of the tubing 3 pointing towards the bag or bottle tube 2 and an opposite limit position in which the lever arm 11 extends generally longitudinally of the tubing 3 pointing towards the bag 1.

25 As the lever arm 11 pivots between these limit positions the control

- 4 -

member 5 rotates within the barrel 4 from a closed position at which the bore 6 is at right angles to the tubing 3 and thereby prevents flow therealong, and an open position at which the bore 6 is aligned with the tubing 3. In an intermediate position the tap is partially
5 open.

With this arrangement it will be seen that the lever arm 11 lies alongside the tubing 3 in each of the open and closed positions of the tap. There is therefore no need for the arm 11 to project inconveniently away from the tubing 3 in any normal operating position thereof.

10 Thus, the known advantages of the projecting lever arm/barrel type tap, i.e. ease of operation, simplicity, reliability, convenient to install and dismantle for cleaning, can be utilised, without the usual disadvantage of having a lever arm which projects appreciably in use.

With reference to the embodiment of Figs. 5-8 this shows a tap
15 which has tubing 20, and a barrel 21 containing a rotatable close fitting control member 22 with a diametric bore 23 in like manner to Figs. 1-4.

The control member 22 also has peripheral ring-shaped extensions 24, 25 one of which (25) is seated against end part 26 of the barrel
20 21. The tap has an arm 27 which has a single side part 28 at one end which is connected to one of the ends of the control member 22.

At said end of the member 22, the ring-shaped extension 24 has two, opposed part circular slots 29, 30 engaged by opposed projections 31, 32 on an inner face of the side part 28 of the arm 27. The arm 27
25 is freely pivotally connected concentrically with the member 22. Thus, when the arm 27 is pivoted about the axis of the member 22 this will

- 5 -

only result in rotation of the member 22 when the projections 31, 32 are at one or the other of the ends of the slots 29, 30 so as to engage such ends and thereby drivably interconnect the arm 27 and the member 22.

5 Accordingly, as with the first embodiment, movement of the arm 27 through approximately 180° causes movement of the member 22 through approximately 90°, this being a consequence of the lost motion introduced by the slots 29, 30 and projections 31, 32. The tap is in respective open and closed states when the lever arm 27 is disposed longitudinally
10 of the tubing 20 and pointing respectively towards the bag 33 and towards the bottle or bag tube 34.

With reference to Figs. 9-12, these also show a tap with tubing 35 and a barrel 36 containing a close fitting control member 37 with a diametric bore 38, like the embodiment of Figs. 1-4.

15 The control member 37 has ring-shaped extensions 39, 40 at its ends, one of which (39) has a radially outwardly directed extension part 41 at one side. The other ring-shaped extension 40 engages a shaped end part 42 of the barrel 36 and there is an end plate 43 which engages the outer side of this end part 42 and has an extension
20 part 44 which is of like form to, and is aligned with, the other extension part 41.

A lever arm 45 is freely pivoted at one end between the confronting extension parts 41, 44 and there are two circumferentially spaced projecting lips 46, 47 at such end. The inner faces of the extension
25 parts 41, 44 have abutments 48 thereon whereby the lever arm 45 can be pivoted to two limit positions in each of which a respective one of

- 6 -

the lips 46, 47 engages the abutment 48 to drivably interconnect the arm 45 and the member 37.

Thus, as with the embodiment of Figs. 5-8, movement of the arm 45 through approximately 180° causes the movement of the member 37 through approximately 90° , this being a consequence of the lost motion introduced by the pivotal interconnection between the arm 45 and the extension parts 41, 43.

It is of course to be understood that the invention is not intended to be restricted to the details of the above embodiments which are described by way of example only.

-7-

CLAIMS

1. A tap comprising an elongate passage (3) incorporating a barrel (4), a control member (5) movable between open and closed positions within the barrel, and
5 a lever arm (11) connected to the control member (5) to effect movement thereof, characterised in that the lever arm (11) is movable so as to extend in opposite directions generally longitudinally of the said passage (3) in each said position of the control member (5).
- 10 2. A tap according to claim 1 characterised in that the lever arm (11) is connected to the control member via an intermediate device (7, 13) which is arranged such that the movement of the lever arm (11) between the opposite longitudinal positions thereof corresponds to a much
15 smaller degree of angular movement of the control member (5).
3. A tap according to claim 2 characterised in that the intermediate device (7, 13) comprises meshing toothed gears which gives substantially 2:1 gearing.
- 20 4. A tap according to claim 2 or 3 characterised in that the lever arm (11) has a toothed wheel (13) which meshes with the inner toothed periphery of a ring (7) on the control member (5).
5. A tap according to claim 2 characterised in that the
25 intermediate device comprises a lost motion linkage whereby the control member (5) is drivably linked with the lever arm (11) over only part of the path of movement thereof.
6. A tap according to claim 5 characterised in that the
30 lever arm (11) is pivotally connected to the control member (5) with an abutment on the lever arm which is engageable with an abutment (31, 32) on the control member (5) to effect drivable interconnection therebetween during said part of said path of movement.
- 35 7. A urine collection system incorporating a tap according to any one of claims 1 to 6.

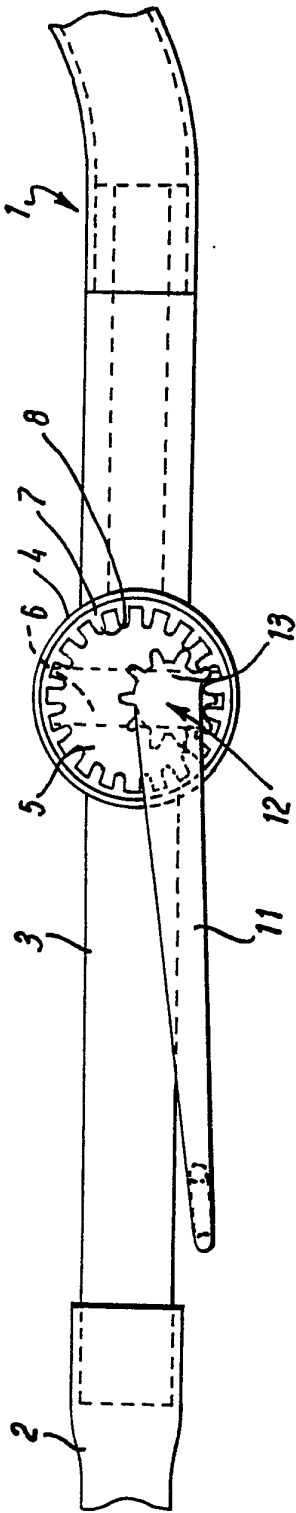


FIG. 1

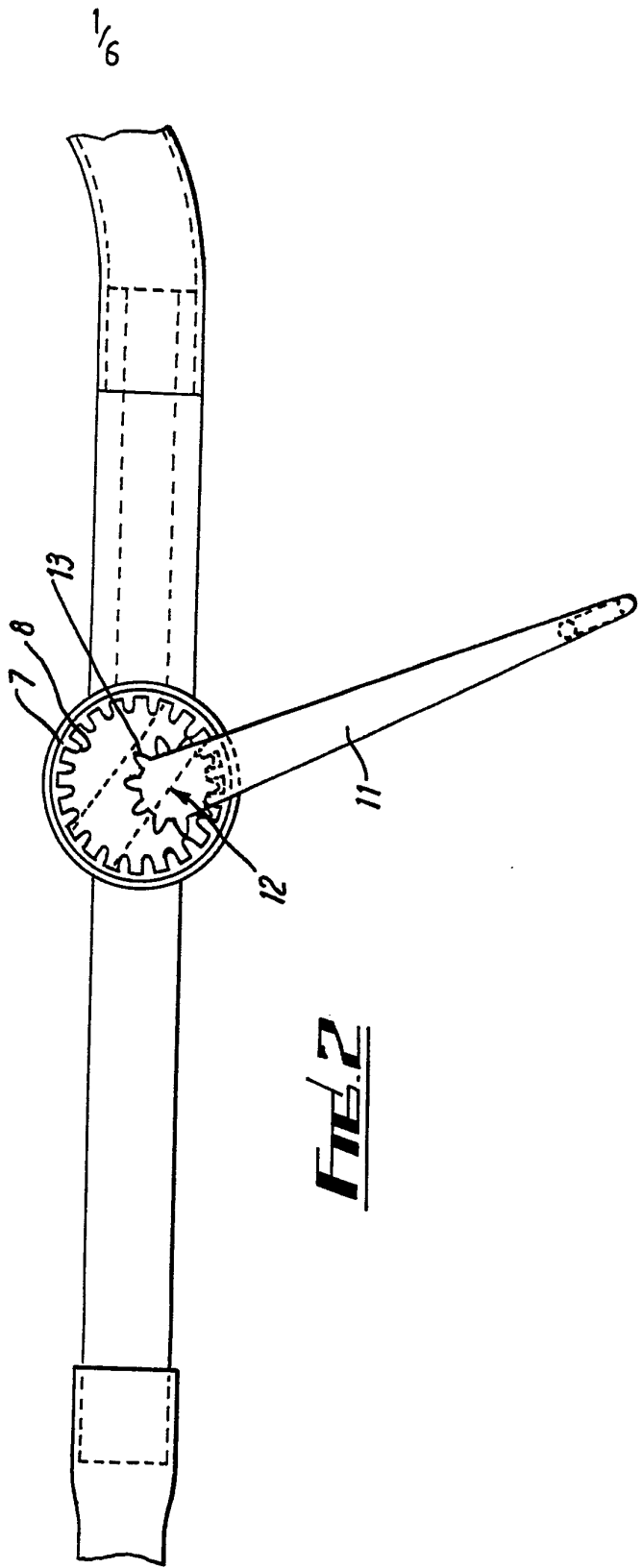
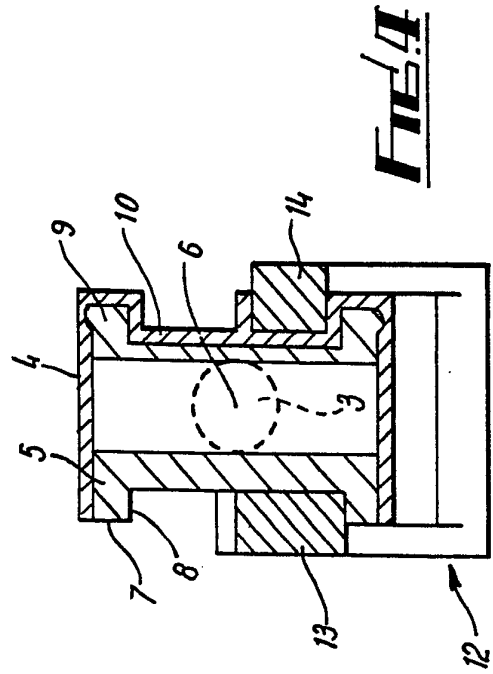
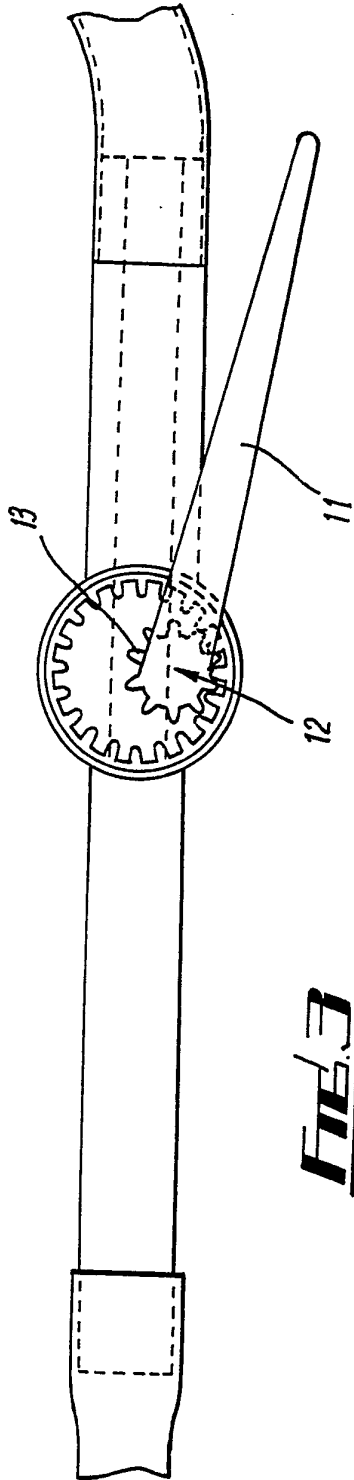
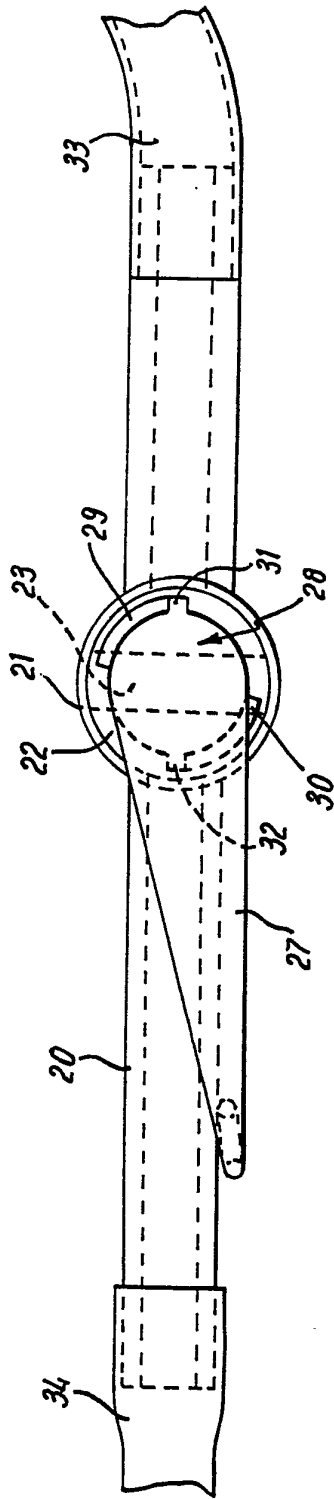


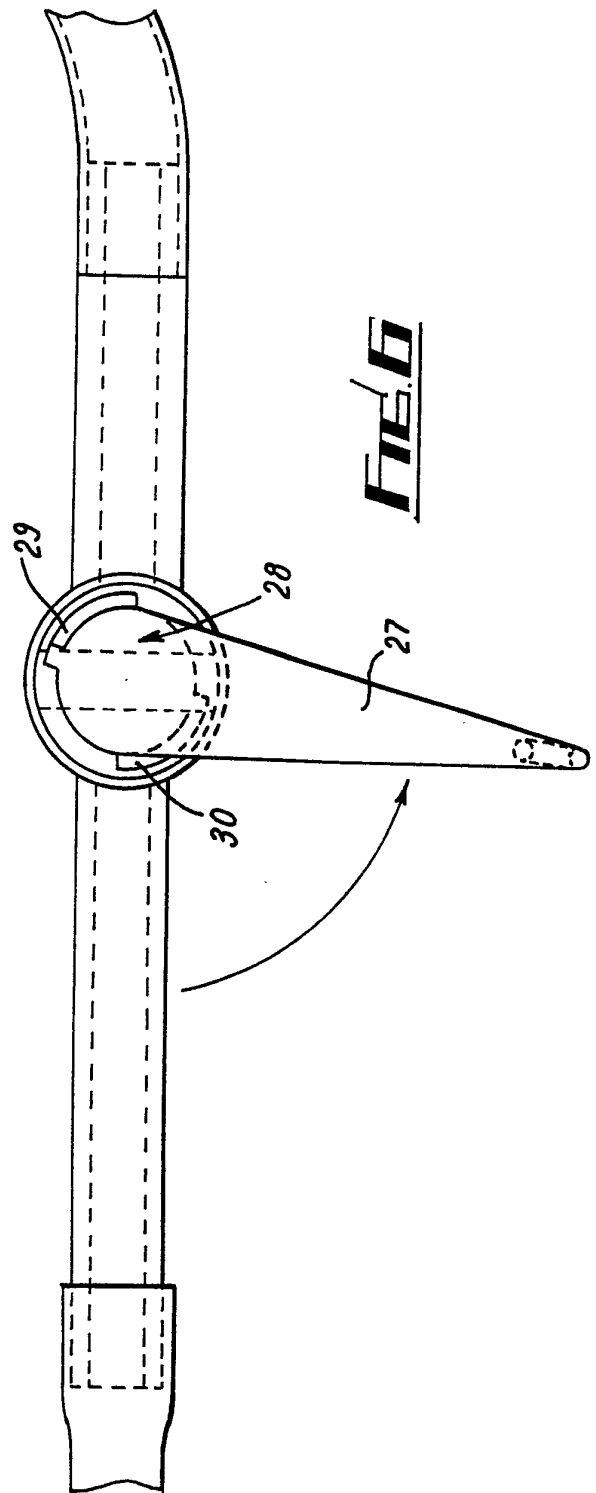
FIG. 2

2/6





FIE.S



FIE.B

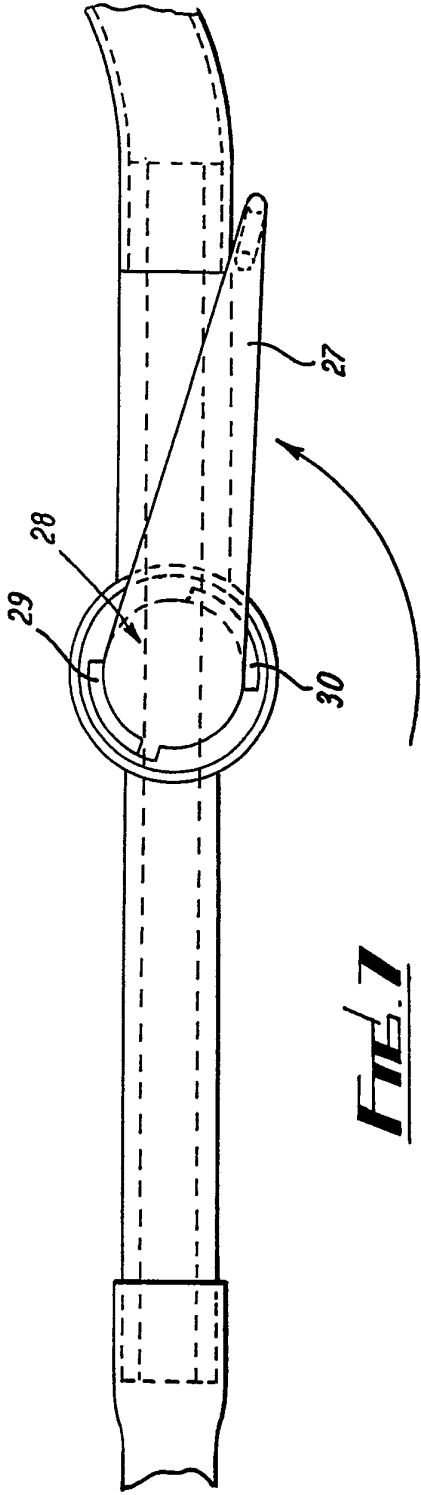


FIG. 1

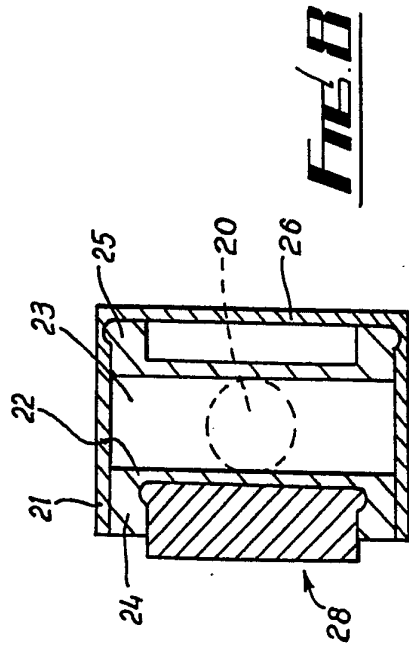


FIG. 2

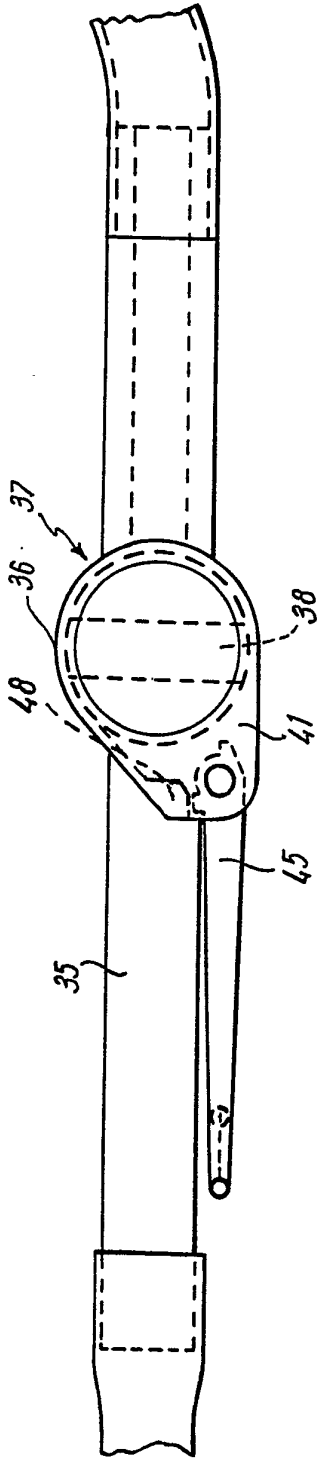


FIG. 9

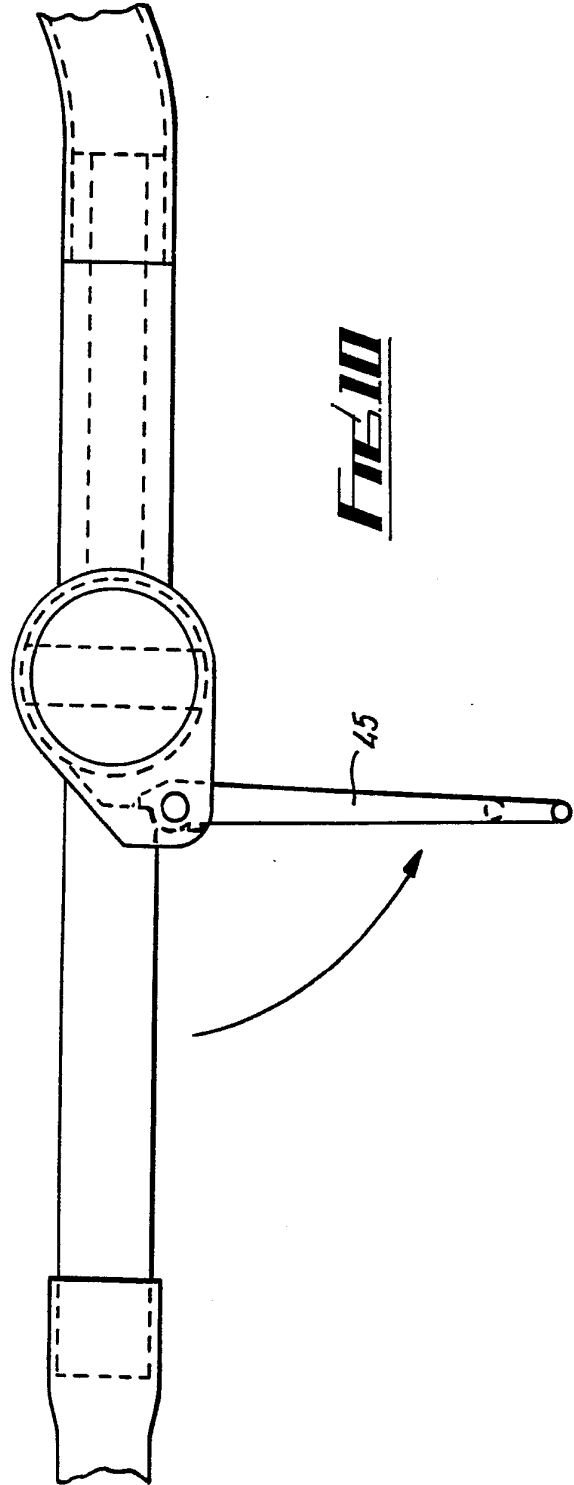
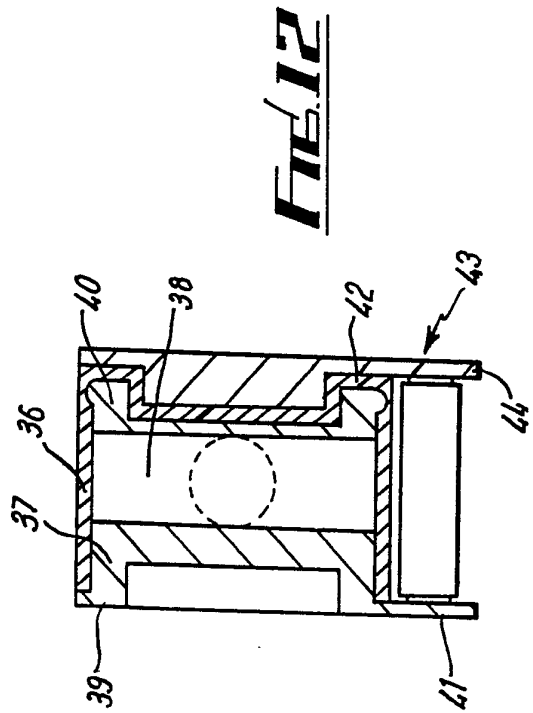
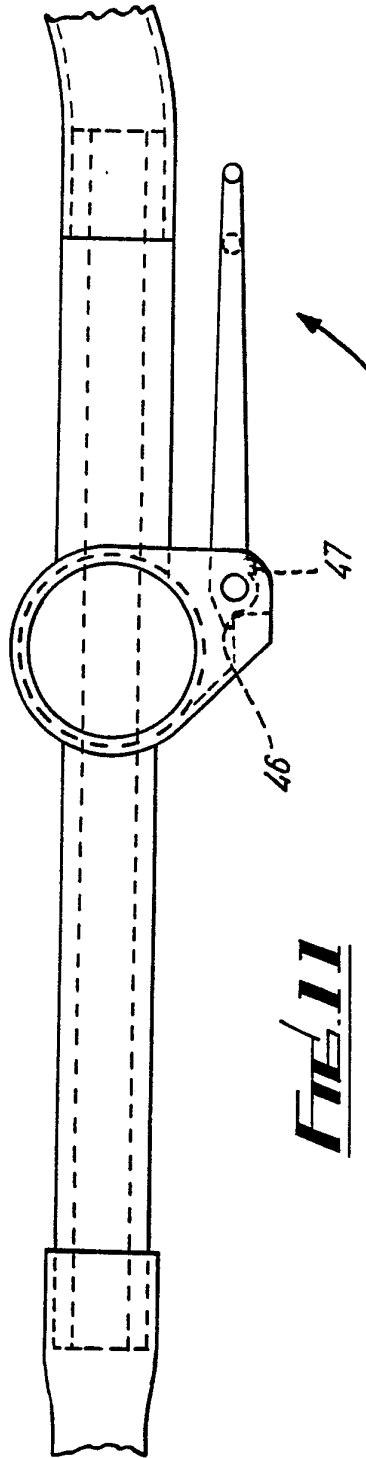



FIG. 10



INTERNATIONAL SEARCH REPORT

International Application No PCT/GB 90/01356

I. CLASSIFICATION OF SUBJECT MATTER (if several classification symbols apply, indicate all) ⁶		
According to International Patent Classification (IPC) or to both National Classification and IPC		
IPC ⁵ : A 61 F 5/44, F 16 K 5/00		
II. FIELDS SEARCHED		
Minimum Documentation Searched ⁷		
Classification System	Classification Symbols	
IPC ⁵	A 61 F, A 61 M, F 16 K	
Documentation Searched other than Minimum Documentation to the Extent that such Documents are Included in the Fields Searched ⁸		
III. DOCUMENTS CONSIDERED TO BE RELEVANT ⁹		
Category ⁹	Citation of Document, ¹¹ with indication, where appropriate, of the relevant passages ¹²	Relevant to Claim No. ¹³
A	GB, A, 2166222 (PHARMA-PLAST) 30 April 1986 see the whole document --	1,7
A	DE, C, 682227 (FRIED. KRUPP GERMANIAWERFT) 11 October 1939 see claim --	2-4
A	US, A, 3687414 (W.F. PETTY) 29 August 1972 see claim 1 -----	2,5-6
<p>⁹ Special categories of cited documents: ¹⁰</p> <p>"A" document defining the general state of the art which is not considered to be of particular relevance</p> <p>"E" earlier document but published on or after the international filing date</p> <p>"L" document which may throw doubts on priority claim(s) or which is cited to establish the publication date of another citation or other special reason (as specified)</p> <p>"O" document referring to an oral disclosure, use, exhibition or other means</p> <p>"P" document published prior to the international filing date but later than the priority date claimed</p> <p>"T" later document published after the international filing date or priority date and not in conflict with the application but cited to understand the principle or theory underlying the invention</p> <p>"X" document of particular relevance; the claimed invention cannot be considered novel or cannot be considered to involve an inventive step</p> <p>"Y" document of particular relevance; the claimed invention cannot be considered to involve an inventive step when the document is combined with one or more other such documents, such combination being obvious to a person skilled in the art.</p> <p>"&" document member of the same patent family</p>		
IV. CERTIFICATION		
Date of the Actual Completion of the International Search		Date of Mailing of this International Search Report
2nd January 1991		24. 01. 91
International Searching Authority		Signature of Authorized Officer
EUROPEAN PATENT OFFICE		miss T. MORTENSEN 

ANNEX TO THE INTERNATIONAL SEARCH REPORT
ON INTERNATIONAL PATENT APPLICATION NO.

GB 9001356

SA 39999

This annex lists the patent family members relating to the patent documents cited in the above-mentioned international search report. The members are as contained in the European Patent Office EDP file on 16/01/91. The European Patent Office is in no way liable for these particulars which are merely given for the purpose of information.

Patent document cited in search report	Publication date	Patent family member(s)	Publication date
GB-A- 2166222	30-04-86	None	
DE-C- 682227		None	
US-A- 3687414	29-08-72	None	