

(19) World Intellectual Property Organization
International Bureau



(43) International Publication Date
23 October 2003 (23.10.2003)

PCT

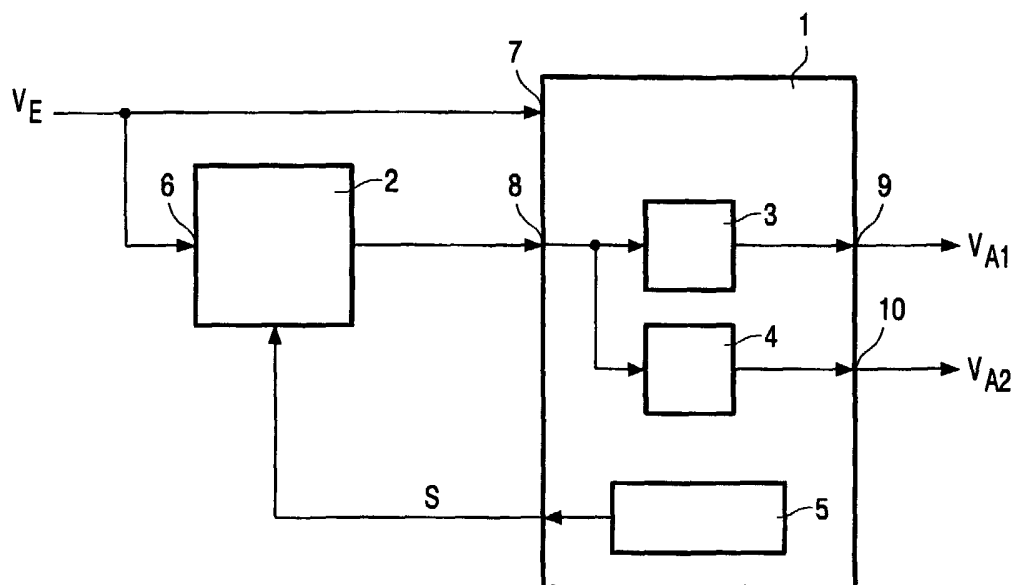
(10) International Publication Number
WO 03/088458 A2

- (51) International Patent Classification⁷: **H02M**
- (21) International Application Number: PCT/IB03/01424
- (22) International Filing Date: 9 April 2003 (09.04.2003)
- (25) Filing Language: English
- (26) Publication Language: English
- (30) Priority Data:
102 17 235.8 18 April 2002 (18.04.2002) DE
- (71) Applicant (for DE only): **PHILIPS INTELLECTUAL PROPERTY & STANDARDS GMBH** [DE/DE]; Stein-damm 94, 20099 Hamburg (DE).
- (71) Applicant (for all designated States except DE, US): **KONINKLIJKE PHILIPS ELECTRONICS N.V.** [NL/NL]; Groenewoudseweg 1, NL-5621 BA Eindhoven (NL).
- (72) Inventor; and
- (75) Inventor/Applicant (for US only): **MUTH, Matthias** [DE/DE]; Philips Intellectual Property & Standards GmbH, Weisshausstr. 2, 52066 Aachen (DE).
- (74) Agent: **VOLMER, Georg**; Philips Intellectual Property & Standards GmbH, Weisshausstr. 2, 52066 Aachen (DE).
- (81) Designated States (national): AE, AG, AL, AM, AT, AU, AZ, BA, BB, BG, BR, BY, BZ, CA, CH, CN, CO, CR, CU, CZ, DE, DK, DM, DZ, EC, EE, ES, FI, GB, GD, GE, GH, GM, HR, HU, ID, IL, IN, IS, JP, KE, KG, KP, KR, KZ, LC, LK, LR, LS, LT, LU, LV, MA, MD, MG, MK, MN, MW, MX, MZ, NI, NO, NZ, OM, PH, PL, PT, RO, RU, SC, SD, SE, SG, SK, SL, TJ, TM, TN, TR, TT, TZ, UA, UG, US, UZ, VC, VN, YU, ZA, ZM, ZW.
- (84) Designated States (regional): ARIPO patent (GH, GM, KE, LS, MW, MZ, SD, SL, SZ, TZ, UG, ZM, ZW), Eurasian patent (AM, AZ, BY, KG, KZ, MD, RU, TJ, TM), European patent (AT, BE, BG, CH, CY, CZ, DE, DK, EE, ES, FI, FR, GB, GR, HU, IE, IT, LU, MC, NL, PT, RO, SE, SI, SK, TR), OAPI patent (BF, BJ, CF, CG, CI, CM, GA, GN, GQ, GW, ML, MR, NE, SN, TD, TG).

Published:
— without international search report and to be republished upon receipt of that report

[Continued on next page]

(54) Title: CIRCUIT ARRANGEMENT FOR GENERATING DC VOLTAGES



(57) Abstract: A circuit arrangement for vehicles for generating at least two DC output voltages (V_{A1} , V_{A2}) from at least one DC input voltage (V_E), wherein the DC output voltages (V_{A1} , V_{A2}) are smaller than the DC input voltage (V_E), the circuit arrangement comprising voltage regulating means (3, 4; 13, 14) for generating the DC output voltages (V_{A1} , V_{A2}), and wherein the DC input voltage (V_E) is applied to a DC/DC converter (2; 12) which can be switched on or off by a control means (5; 15) and supplies a lower voltage than the DC input voltage (V_E) to the voltage regulating means.

WO 03/088458 A2



For two-letter codes and other abbreviations, refer to the "Guidance Notes on Codes and Abbreviations" appearing at the beginning of each regular issue of the PCT Gazette.

Circuit arrangement for generating DC voltages

The invention relates to a circuit arrangement for vehicles for generating DC output voltages from at least one DC input voltage, wherein the DC output voltages are smaller than the DC input voltages. Voltage regulating means are provided, which generate the DC output voltages from the DC input voltage.

5

Such arrangements are widely used in the field of automobile electronics. Since the main power supply in motor cars will be increased from 12 volts to 42 volts in the years to come, the use of such circuit arrangements will be a problem because the voltage difference between the DC input voltage, which will then be nominally 42 volts and actually up to 58 volts, and the DC output voltages which as before are in a relatively low voltage range of, for example, 3 or 5 volts, will become too large.

10

To solve this problem, it is known from the state of the art to arrange a DC/DC converter preceding such circuit arrangements. This converter then supplies, for example, a voltage of 12 volts which approximately corresponds to the current power supply in vehicles. An essential drawback of this solution is, however, that this preceding DC/DC converter must be permanently activated so as to supply the circuit arrangements for generating the DC output voltage with energy. However, this is not acceptable in vehicles because the quiescent current consumption of such an arrangement would be too large.

15

20

It is therefore an object of the invention to provide a circuit arrangement which generates at least one DC output voltage from at least one DC input voltage, which circuit arrangement can also be used for vehicles having a relatively high power supply and produces a small quiescent current consumption in the deactivated state of the power supply.

25

According to the invention, this object is solved by the characteristic features defined in claim 1:

A circuit arrangement for vehicles for generating at least two DC output voltages from at least one DC input voltage, wherein the DC output voltages are smaller than

the DC input voltage, the circuit arrangement comprising voltage regulating means for generating the DC output voltages, and wherein the DC input voltage is applied to a DC/DC converter which can be switched on or off by a control means and supplies a lower voltage than the DC input voltage to the voltage regulating means.

5 In this arrangement, a DC/DC converter precedes the voltage regulating means that generate the DC output voltages. The relatively high DC input voltage is applied to the DC/DC converter. The DC/DC converter converts this DC input voltage into a lower DC voltage which, in turn, is converted by the voltage regulating means into the DC output voltage and whose value is controlled. Furthermore a control means is provided which
10 supplies a control signal by means of which the DC/DC converter can be switched on or off.

It is thereby achieved that the DC/DC converter can be deactivated and does not consume any current, for example, in the idle state of the supply system.

Dependent on its layout, the circuit arrangement is universally suitable for different DC input voltages which may also be essentially larger than the DC output voltages.
15 Only the layout of the DC/DC converter should be adapted accordingly.

In accordance with an embodiment of the invention, the DC input voltage may be advantageously used for energy supply of the arrangement. This ensures that, for example, the control in the circuit arrangement according to the invention is always active and is thus capable of switching the DC/DC converter on and off by means of the control signal.

20 In a further embodiment of the invention as defined in claim 3, the circuit arrangement may advantageously be realized on an integrated circuit, with the exception of the DC/DC converter which precedes this integrated circuit. In this configuration, the layout of the converter may be varied without affecting the integrated circuit. It can therefore be used universally for different applications.

25 The above-mentioned object is further solved by an integrated circuit as defined in claim 5, which, in addition to the voltage regulating means, comprises at least one control means generating a switching signal provided for activating or deactivating external components. Such a switching signal may be used, for example, for activating or deactivating a voltage converter, but it may also be provided for switching other circuits. By means of the
30 switching signal, preceding elements, for example, for reduction of the voltage can be deactivated so that the quiescent current consumption is decreased.

These and other aspects of the invention are apparent from and will be elucidated with reference to the embodiments described hereinafter.

In the drawings:

Fig. 1 shows a first embodiment of the invention in which, with the exception of the voltage converter, the circuit arrangement according to the invention is built on an integrated circuit, and

Fig. 2 shows a second embodiment of the invention in which the overall circuit arrangement according to the invention is realized on an integrated circuit.

Fig. 1 is a block diagram of a first embodiment of the circuit arrangement according to the invention. With the exception of a voltage converter 2, the circuit arrangement is built on an integrated circuit 1.

The integrated circuit 1 comprises two voltage regulating means 3 and 4 and a control means 5.

At the input, the circuit arrangement receives a DC input voltage V_E , which may be, for example, a supply voltage for a vehicle. It will hereinafter be assumed that this supply voltage and hence the DC input voltage have a value of nominally about 42 volts, while fluctuations may occur within a range from about 30 to 58 volts.

This DC input voltage V_E is applied to an input 6 of the voltage converter 2. The voltage converter is implemented in such a way that it generates a DC output voltage of, for example, 12 volts or less from the DC input voltage of 42 volts, which DC output voltage is applied to an input 8 of the integrated circuit 1.

The DC voltage applied to the input 8 of the integrated circuit 1 is received within the integrated circuit at the inputs of two voltage regulating means 3 and 4 which generate controlled DC voltages at their output, which DC voltages are available as DC output voltages V_{A1} and V_{A2} at outputs 9 and 10 and represent the DC output voltages of the circuit arrangement according to the invention. These DC output voltages may have values of, for example, 3 volts or 5 volts, i.e. they are significantly lower than the DC input voltage V_E .

The integrated circuit 1 further comprises a control means 5 which generates a switching signal S. This switching signal may be provided, for example, for activating/deactivating external components and may thus be used for switching given components in the vehicle on and off.

In the embodiment shown in Fig. 1, the switching signal S is used to switch the voltage converter 2 on or off. This may be done, for example, in dependence on the operation of switching the supply system of the vehicle on or off.

In order that this should be possible, the DC input voltage V_E , which is
5 constantly available, is directly applied to an input 7 of the integrated circuit 1 so that the integrated circuit 1 is always supplied with energy. The control means 5 may thus also be active at any time and can also control the DC/DC converter 2 by means of the switching signal S when the supply system is switched off.

This provides the essential advantage that the DC/DC converter 2 can be
10 deactivated by means of the switching signal S in an idle state of the vehicle in which essential components should be switched off and in which a possibly smaller energy consumption in the supply system is desirable.

The control means 5 reactivates the voltage converter 2 by means of the switching signal S only when the DC output voltages V_{A1} and V_{A2} should be available again,
15 i.e. when those circuit parts (not shown) of the vehicle that are supplied with these voltages should be reactivated, so that also the DC output voltages V_{A1} and V_{A2} are available again.

Fig. 2 shows a second embodiment of the invention which is similar as regards its circuitry to that shown in Fig. 1. However, in the second embodiment shown in Fig. 2, all components are completely integrated.

Fig. 2 shows an integrated circuit 11 with a voltage converter 12, two voltage
20 regulating means 13 and 14 and a control means 15. These elements are connected in a comparable manner to the corresponding elements of the first embodiment shown in Fig. 1 and operate in the same way. However, there is an even further integration in this case.

The essential advantage of the circuit arrangement according to the invention,
25 namely the small current consumption of the arrangement in the case of deactivated DC output voltages V_{A1} and V_{A2} is also obtained in this case, because the voltage converter 12 can be deactivated by means of a corresponding switching signal generated by the control means 15 in this second embodiment shown in Fig. 2.

CLAIMS:

1. A circuit arrangement for vehicles for generating at least two DC output voltages (V_{A1} , V_{A2}) from at least one DC input voltage (V_E), wherein the DC output voltages (V_{A1} , V_{A2}) are smaller than the DC input voltage (V_E), the circuit arrangement comprising voltage regulating means (3, 4; 13, 14) for generating the DC output voltages (V_{A1} , V_{A2}), and
5 wherein the DC input voltage (V_E) is applied to a DC/DC converter (2; 12) which can be switched on or off by a control means (5; 15) and supplies a lower voltage than the DC input voltage (V_E) to the voltage regulating means.
2. A circuit arrangement as claimed in claim 1, characterized in that the DC input
10 voltage (V_E) is used for energy supply of the arrangement.
3. A circuit arrangement as claimed in claim 1, characterized in that, with the exception of the DC/DC converter (2), the circuit arrangement is realized on an integrated circuit (1) which is preceded by the DC/DC converter (2).
15
4. A circuit arrangement as claimed in claim 1, characterized in that the circuit arrangement is realized together with the DC/DC converter (12) on an integrated circuit (11).
5. An integrated circuit for vehicles for generating DC output voltages (V_{A1} , V_{A2})
20 from at least one DC input voltage (V_E), wherein the DC output voltages (V_{A1} , V_{A2}) are smaller than the DC input voltage (V_E), the integrated circuit comprising voltage regulating means (3, 4) for generating the DC output voltages (V_{A1} , V_{A2}), and wherein the circuit (1) comprises a control means (5) which generates a switching signal (6) provided for switching external circuits on or off.
25
6. A circuit arrangement as claimed in claim 1, characterized in that the DC input voltage (V_E) has a value of approximately 42 volts and the voltage supplied by the DC/DC converter (2; 12) has a value of approximately 12 volts.

1/1

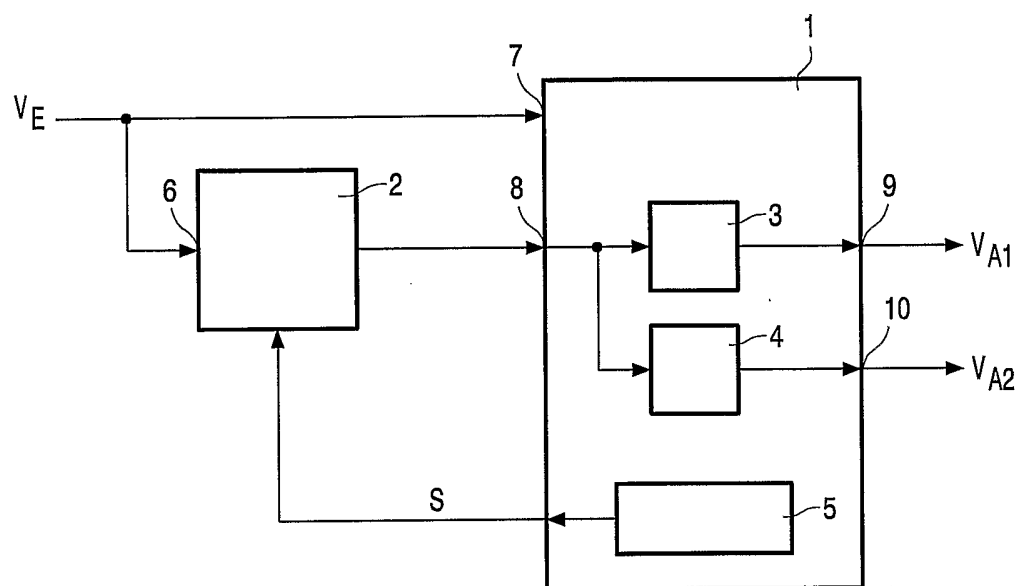


FIG. 1

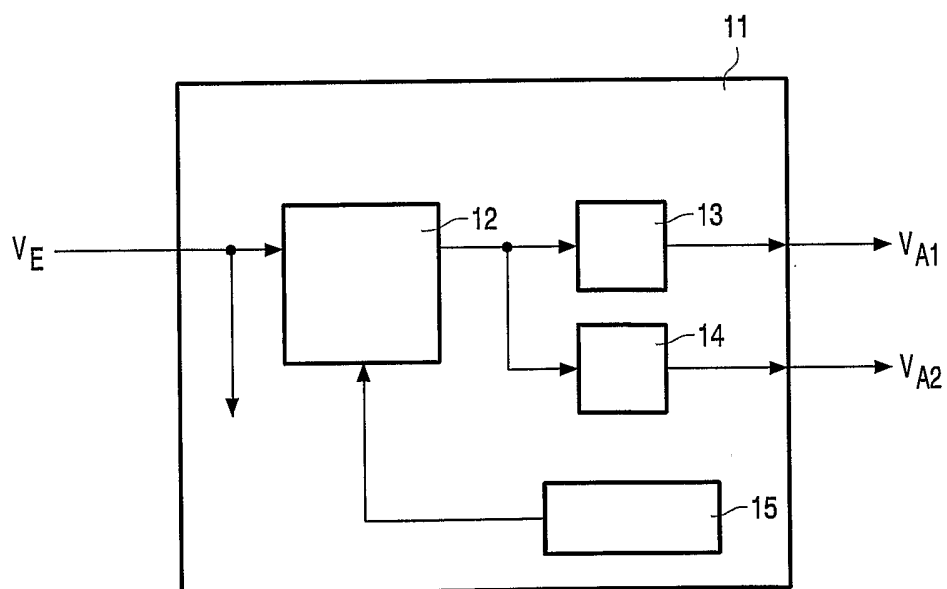


FIG. 2