



US00D661013S

(12) **United States Design Patent**
Davidson et al.

(10) **Patent No.:** **US D661,013 S**

(45) **Date of Patent:** **** May 29, 2012**

(54) **VEHICLE LIGHT COVER**

(75) Inventors: **Benjamin Davidson**, Torrance, CA
(US); **Guillermo Gonzalez**, Lawndale,
CA (US)

(73) Assignee: **Honda Motor Co., Ltd.**, Tokyo (JP)

(**) Term: **14 Years**

(21) Appl. No.: **29/399,502**

(22) Filed: **Aug. 15, 2011**

(51) **LOC (9) Cl.** **26-99**

(52) **U.S. Cl.** **D26/139**

(58) **Field of Classification Search** D26/28-36,
D26/139; 362/459-468, 475-478, 485-487,
362/61, 80-83, 329-340

See application file for complete search history.

(56) **References Cited**

U.S. PATENT DOCUMENTS

D485,934 S *	1/2004	Tsai	D26/139
D499,202 S *	11/2004	Tsai	D26/139
D515,726 S *	2/2006	Ruzicka et al.	D26/139
D547,487 S *	7/2007	Elwell et al.	D26/139
D576,765 S *	9/2008	Song et al.	D26/139
D595,895 S *	7/2009	Lamm	D26/139

* cited by examiner

Primary Examiner — Marcus Jackson

(74) *Attorney, Agent, or Firm* — Plumsea Law Group, LLC;
Mark E. Duell

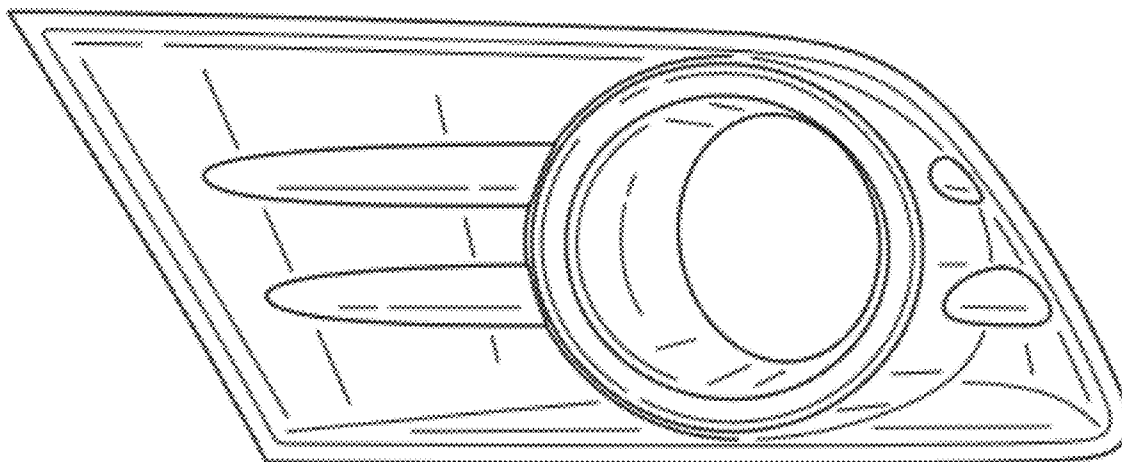
(57) **CLAIM**

The ornamental design for a vehicle light cover, as shown and described.

DESCRIPTION

FIG. 1 is a perspective view of a vehicle light cover showing our new design;
FIG. 2 is an elevational view thereof; and,
FIG. 3 is a side elevational view thereof.

1 Claim, 1 Drawing Sheet



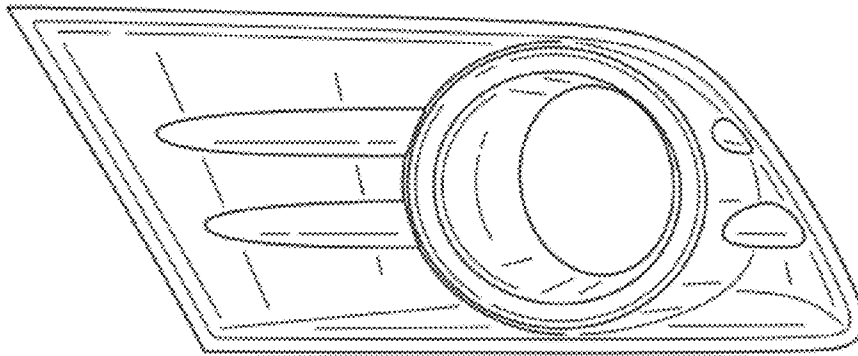


FIG. 1

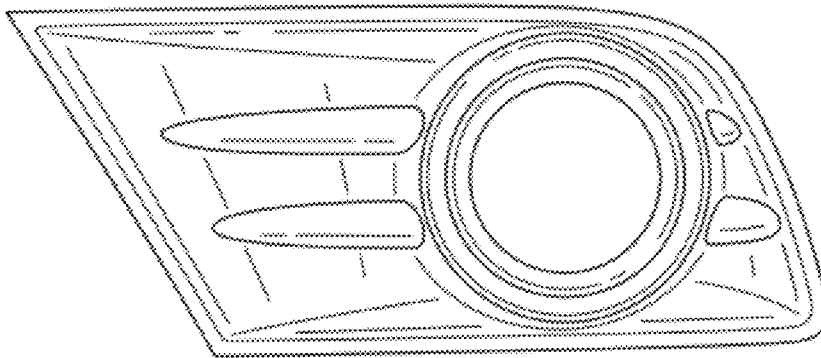


FIG. 2

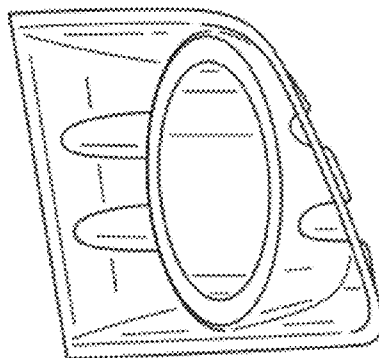


FIG. 3