

(19) World Intellectual Property Organization
International Bureau



(43) International Publication Date
3 May 2007 (03.05.2007)

PCT

(10) International Publication Number
WO 2007/049870 A3

- (51) International Patent Classification:
F24F 1/00 (2006.01) F24F 13/08 (2006.01)
- (21) International Application Number:
PCT/KR2006/004127
- (22) International Filing Date: 13 October 2006 (13.10.2006)
- (25) Filing Language: English
- (26) Publication Language: English
- (30) Priority Data:
10-2005-0101485 26 October 2005 (26.10.2005) KR
10-2005-0101486 26 October 2005 (26.10.2005) KR
10-2006-0004227 16 January 2006 (16.01.2006) KR
- (71) Applicant (for all designated States except US): LG ELECTRONICS, INC. [KR/KR]; 20 Yoido-dong, Youngdungpo-ku, Seoul 105-875 (KR).

[KR/KR]; 66-11 Sapa-dong, Changwon-si, Kyung-sang-nam-do 641-550 (KR). PARK, Jong-Myoung [KR/KR]; 2-403 SinAn Apt., Sajik2-dong, Dongrae-ku, Busan-si 607-122 (KR).

(74) Agent: HAW, Yong-Noke; 8th Fl. Songchon Bldg., 642-15, Yoksam-dong, Kangnam-ku, Seoul 135-080 (KR).

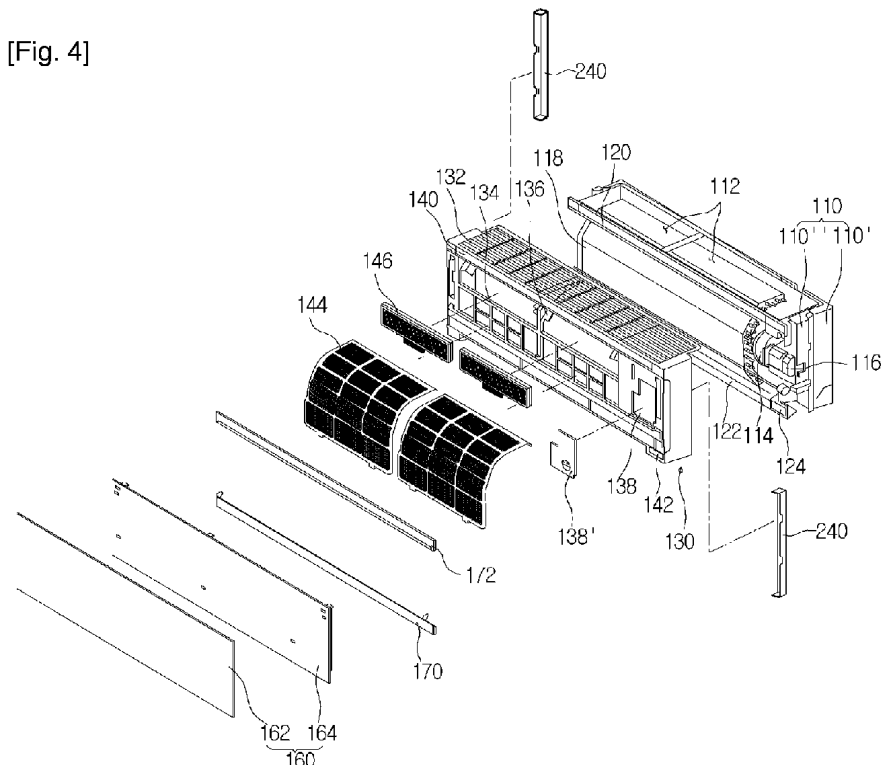
(81) Designated States (unless otherwise indicated, for every kind of national protection available): AE, AG, AL, AM, AT, AU, AZ, BA, BB, BG, BR, BW, BY, BZ, CA, CH, CN, CO, CR, CU, CZ, DE, DK, DM, DZ, EC, EE, EG, ES, FI, GB, GD, GE, GH, GM, HN, HR, HU, ID, IL, IN, IS, JP, KE, KG, KM, KN, KP, KZ, LA, LC, LK, LR, LS, LT, LU, LV, LY, MA, MD, MG, MK, MN, MW, MX, MY, MZ, NA, NG, NI, NO, NZ, OM, PG, PH, PL, PT, RO, RS, RU, SC, SD, SE, SG, SK, SL, SM, SV, SY, TJ, TM, TN, TR, TT, TZ, UA, UG, US, UZ, VC, VN, ZA, ZM, ZW.

- (71) Applicant and
- (72) Inventor: SON, Yang-Mo [KR/KR]; 1613 SeoAn Yangdeok Town, 26-3, Yangdeok-dong, Hwoiwon-ku, Masan-si, Kyungsangnam-do 630-490 (KR).
- (72) Inventors; and
- (75) Inventors/Applicants (for US only): JU, Jeong-Weon

(84) Designated States (unless otherwise indicated, for every kind of regional protection available): ARIPO (BW, GH, GM, KE, LS, MW, MZ, NA, SD, SL, SZ, TZ, UG, ZM, ZW), Eurasian (AM, AZ, BY, KG, KZ, MD, RU, TJ, TM), European (AT, BE, BG, CH, CY, CZ, DE, DK, EE, ES, FI, FR, GB, GR, HU, IE, IS, IT, LT, LU, LV, MC, NL, PL, PT,

[Continued on next page]

(54) Title: INDOOR UNIT FOR AIR CONDITIONER



[Fig. 4]

(57) Abstract: An indoor unit for an air conditioner includes a casing (102), a front panel (160) installed in front of the casing, an air discharge panel (170) installed movably on a side portion of the front panel to selectively open and close an air outlet, and an air discharge vane (122) provided on a side portion of the casing to guide an air exhaust direction.

WO 2007/049870 A3



RO, SE, SI, SK, TR), OAPI (BF, BJ, CF, CG, CI, CM, GA, GN, GQ, GW, ML, MR, NE, SN, TD, TG).

— *before the expiration of the time limit for amending the claims and to be republished in the event of receipt of amendments*

Published:

— *with international search report*

(88) Date of publication of the international search report:

30 July 2009

A. CLASSIFICATION OF SUBJECT MATTER IPC ⁸ : F24F 1/00 (2006.01); F24F 13/08 (2006.01) According to International Patent Classification (IPC) or to both national classification and IPC		
B. FIELDS SEARCHED Minimum documentation searched (classification system followed by classification symbols) IPC ⁸ : F24F Documentation searched other than minimum documentation to the extent that such documents are included in the fields searched Electronic data base consulted during the international search (name of data base and, where practicable, search terms used) EPODOC, PAJ		
C. DOCUMENTS CONSIDERED TO BE RELEVANT		
Category*	Citation of document, with indication, where appropriate, of the relevant passages	Relevant to claim No.
X	JP 1217148 A (SANYO ELECTRIC CO LTD.) 30 August 1989 (30.08.1989) . (abstract) [online] [retrieved on 05.01.2009]. Retrieved from: EPOQUE, PAJ Database	1-4
Y	<i>figures and abstract</i>	5-10, 12-19, 21-24
A	--	11,16, 18-20,24-52
<input checked="" type="checkbox"/> Further documents are listed in the continuation of Box C. <input checked="" type="checkbox"/> See patent family annex.		
* Special categories of cited documents: "A" document defining the general state of the art which is not considered to be of particular relevance "E" earlier application or patent but published on or after the international filing date "L" document which may throw doubts on priority claim(s) or which is cited to establish the publication date of another citation or other special reason (as specified) "O" document referring to an oral disclosure, use, exhibition or other means "P" document published prior to the international filing date but later than the priority date claimed		"T" later document published after the international filing date or priority date and not in conflict with the application but cited to understand the principle or theory underlying the invention "X" document of particular relevance; the claimed invention cannot be considered novel or cannot be considered to involve an inventive step when the document is taken alone "Y" document of particular relevance; the claimed invention cannot be considered to involve an inventive step when the document is combined with one or more other such documents, such combination being obvious to a person skilled in the art "&" document member of the same patent family
Date of the actual completion of the international search 5 January 2009 (05.01.2009)		Date of mailing of the international search report 9 June 2009 (09.06.2009)
Name and mailing address of the ISA/ AT Austrian Patent Office Dresdner Straße 87, A-1200 Vienna Facsimile No. +43 / 1 / 534 24 / 535		Authorized officer Mézes Szilvia Telephone No. +36 / 1 / 474 5869

C (Continuation). DOCUMENTS CONSIDERED TO BE RELEVANT		
Category*	Citation of document, with indication, where appropriate, of the relevant passages	Relevant to claim No.
Y	JP 2000121094 A (FUJITSU GENERAL LTD.) 28 April 2000 (28.04.2000) . (abstract) [online] [retrieved on 05.01.2009]. Retrieved from: EPOQUE, PAJ Database <i>figures and abstract</i>	7-10,12-19, 21,24
A		11,16, 18-20,24-52
Y	US 5810658 A1 (Jeong-Hun Seo) 22 September 1998 (22.09.1998) <i>whole document</i>	5
A		11,16, 18-20,24-52
Y	EP 1271065 A2 (LG ELECTRONICS INC.) 2 January 2003 (02.01.2003) <i>whole document, particularly Figs.4a, 4b</i>	6,22,23
A		11,16, 18-20,24-52

INTERNATIONAL SEARCH REPORT
Information on patent family members

International application No.
PCT/KR 2006/004127

Patent document cited in search report			Publication date		Patent family member(s)			Publication date	
JP	A	1217148	JP	A	1217148			1989-08-30	
JP	A	2000121094	JP	A	2000121094			2000-04-28	
US	A	5810658	KR	B1	0125759B			1998-04-01	
			KR	Y1	0129647Y			1999-02-18	
			CN	A	1155056			1997-07-23	
			JP	A	9203534			1997-08-05	
			US	A	5810658			1998-09-22	
EP	A	1271065	PT	E	1271065E			2007-02-28	
			ES	T3	2314559T			2009-03-16	
			ES	T3	2314558T			2009-03-16	
			ES	T3	2314557T			2009-03-16	
			ES	T3	2314556T			2009-03-16	
			AT	T	412147T			2008-11-15	