



US00D777473S

(12) **United States Design Patent** (10) **Patent No.:** **US D777,473 S**
Rodack (45) **Date of Patent:** **** Jan. 31, 2017**

(54) **RECLINING CHAIR COVER**

OTHER PUBLICATIONS

(71) Applicant: **M.S.R. Imports, Inc.**, Pennsauken, NJ (US)

“Innovative Textile Microfiber Chair Furniture Protector, http://www.amazon.com/Innovative-Textile-Microfiber-Furniture-Protector/dp/B0067VHHF2/ref=sr_1_sc_3?ie=UTF8&qid=1447249885&sr=8-3-spell&keywords=innovatie+textile+microfiber+furniture+protector&pebp=1447249915757&perid=15ZQ61Z68WKCJMXRZPDF”, Jun. 2, 2012.

(72) Inventor: **Michael D. Rodack**, Pennsauken, NJ (US)

(73) Assignee: **M.S.R. Imports, Inc.**, Pennsauken, NJ (US)

Primary Examiner — Katrina A Betton

(**) Term: **15 Years**

(74) *Attorney, Agent, or Firm* — Caesar Rivise, PC

(21) Appl. No.: **29/527,844**

(57) **CLAIM**

(22) Filed: **May 22, 2015**

The ornamental design for the reclining chair cover, as shown and described.

Related U.S. Application Data

DESCRIPTION

(63) Continuation-in-part of application No. 29/487,086, filed on Apr. 4, 2014, now Pat. No. Des. 730,084.

(51) **LOC (10) Cl.** **06-13**

(52) **U.S. Cl.**
USPC **D6/611**

(58) **Field of Classification Search**

USPC D6/610, 611, 596, 601, 602, 603, 615, D6/617, 621, 401-405; D7/332, 334-337
CPC B62J 19/00; B62J 1/18; B62J 1/20; B62J 1/22; B62J 1/24; B62J 1/28; B62J 1/26

See application file for complete search history.

FIG. 1 is an isometric view of a reclining chair cover in accordance with a preferred embodiment of my design, shown in a condition on a reclining chair;
FIG. 2 is a front view of the reclining chair cover of FIG. 1;
FIG. 3 is a rear view of the reclining chair cover of FIG. 1;
FIG. 4 is a right side view of the reclining chair cover of FIG. 1;
FIG. 5 is a top side view of the reclining chair cover of FIG. 1;
FIG. 6 is a top view of the reclining chair cover of FIG. 1, shown in a flat condition, off of a chair;
FIG. 7 is a bottom view of the reclining chair cover of FIG. 1, shown in a flat condition, off of a chair;
FIG. 8 is a left side view of the reclining chair cover of FIG. 1, shown in a flat condition, off of a chair, the right side view being a mirror image thereof;
FIG. 9 is a front view of the reclining chair cover of FIG. 1, shown in a flat condition, off of a chair; and,
FIG. 10 is a rear view of the reclining chair cover of FIG. 1, shown in a flat condition, off of a chair.
The features shown in broken lines in the drawings depict environmental subject matter only and form no part of the claimed design.

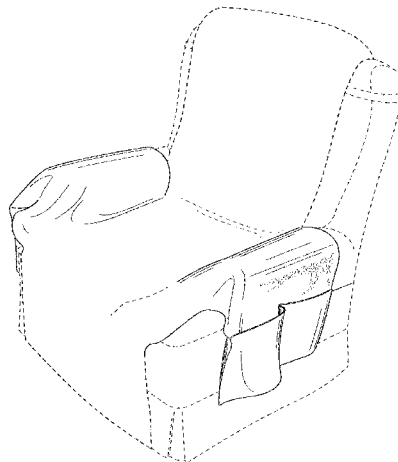
(56) **References Cited**

U.S. PATENT DOCUMENTS

4,676,376 A * 6/1987 Keiswetter B60N 2/60 206/449
5,150,945 A 9/1992 Aupperlee et al.
5,806,925 A * 9/1998 Hanley A47C 31/113 297/219.1
6,048,026 A * 4/2000 Barnett B60N 2/6081 297/229

(Continued)

1 Claim, 9 Drawing Sheets



(56)

References Cited

U.S. PATENT DOCUMENTS

6,761,404	B2 *	7/2004	Parker	B60N 2/6027 297/226
6,951,368	B2 *	10/2005	Self	A47C 1/14 297/219.1
D610,855	S *	3/2010	Siklosi	D6/611
D611,751	S *	3/2010	Siklosi	D6/611
D620,739	S *	8/2010	Mangano	D6/601
7,779,492	B2 *	8/2010	Mangano	A47C 7/383 5/417
D624,343	S	9/2010	Long	
D633,153	S	2/2011	Holcomb et al.	
D680,360	S	4/2013	Ogawa	
D716,585	S	11/2014	Peterson	
D730,084	S *	5/2015	Rodack	D6/611
9,278,665	B2 *	3/2016	Amirault	B60R 22/00
2010/0001565	A1	1/2010	Gray et al.	

* cited by examiner

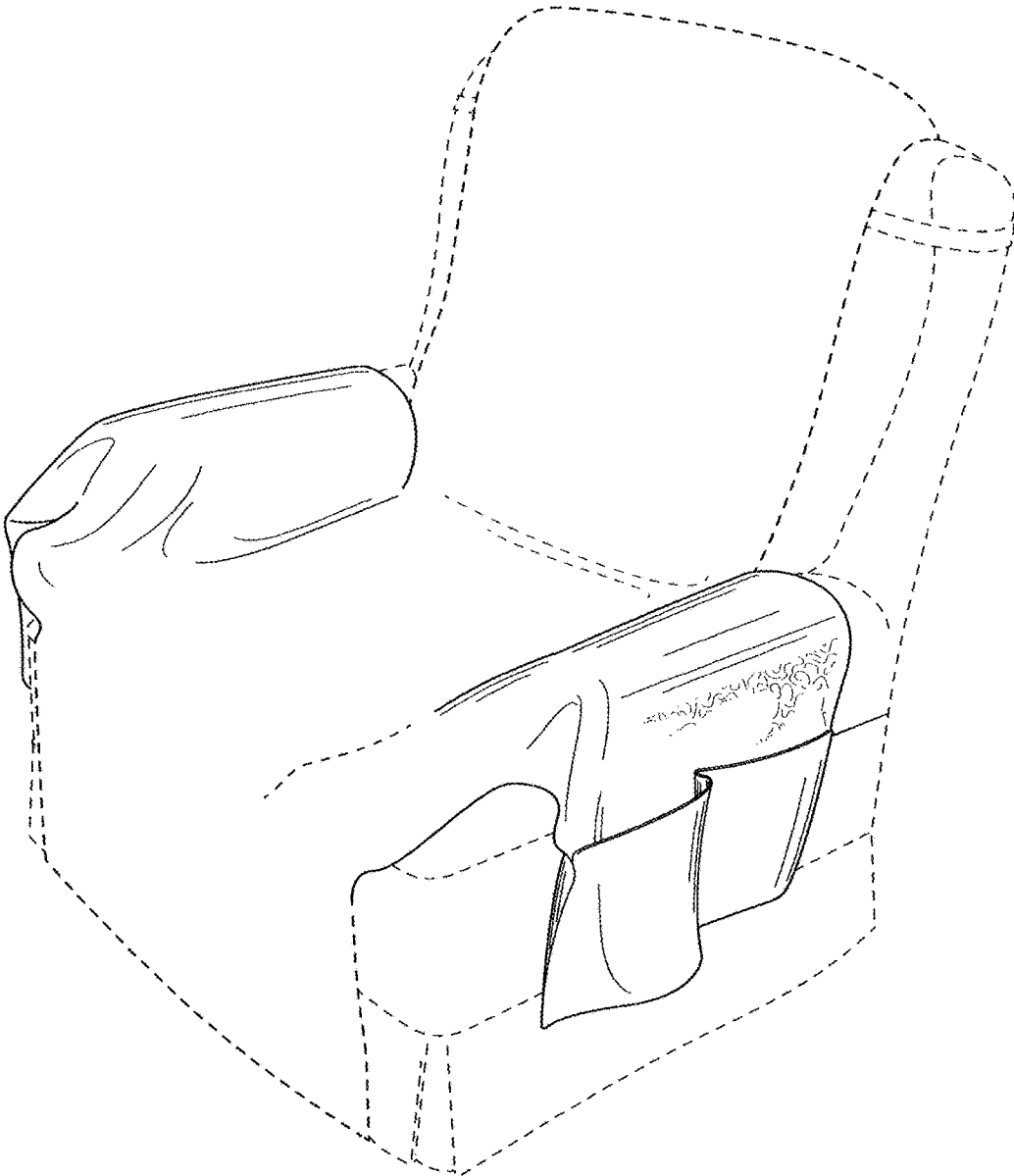


FIG. 1

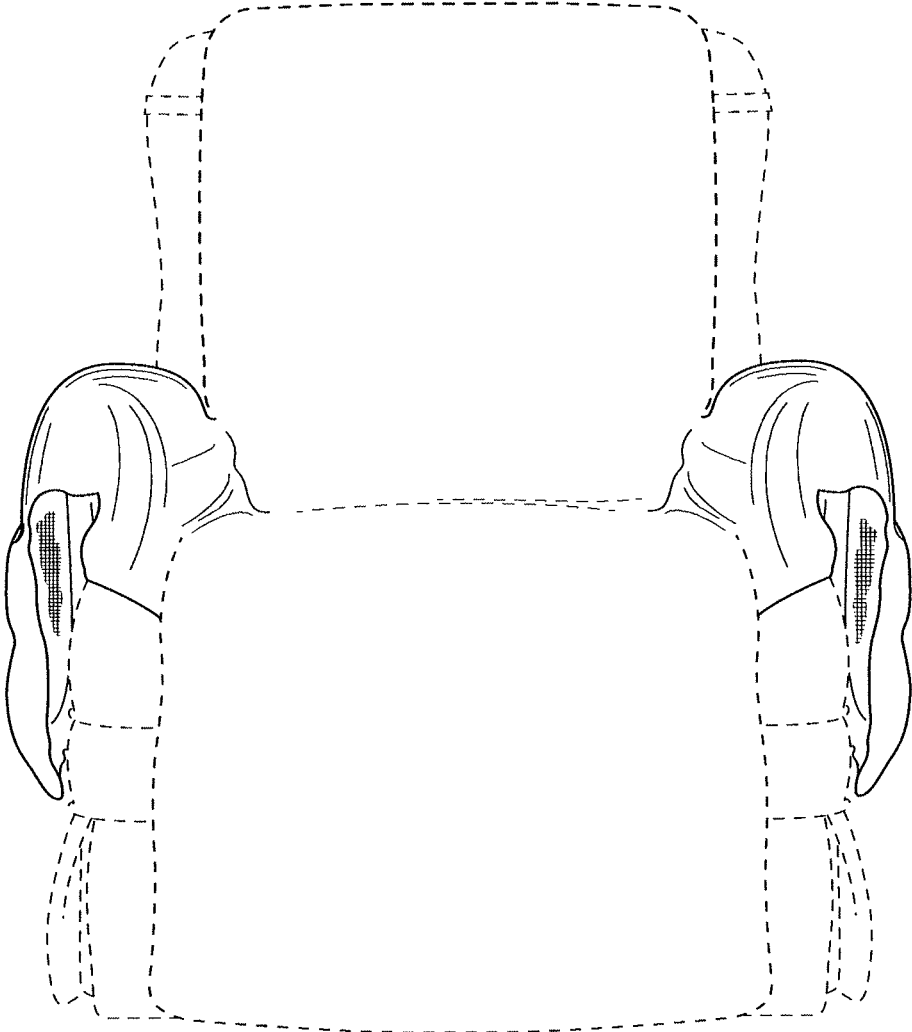


FIG. 2

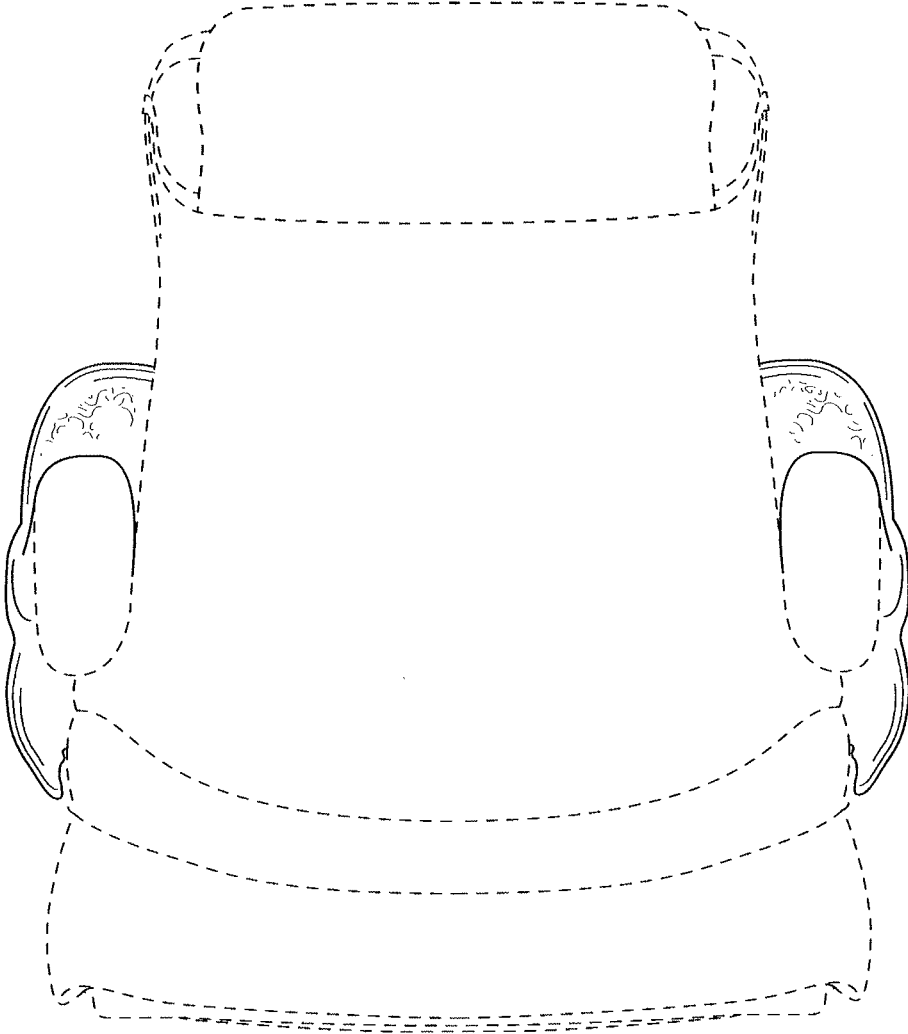


FIG. 3

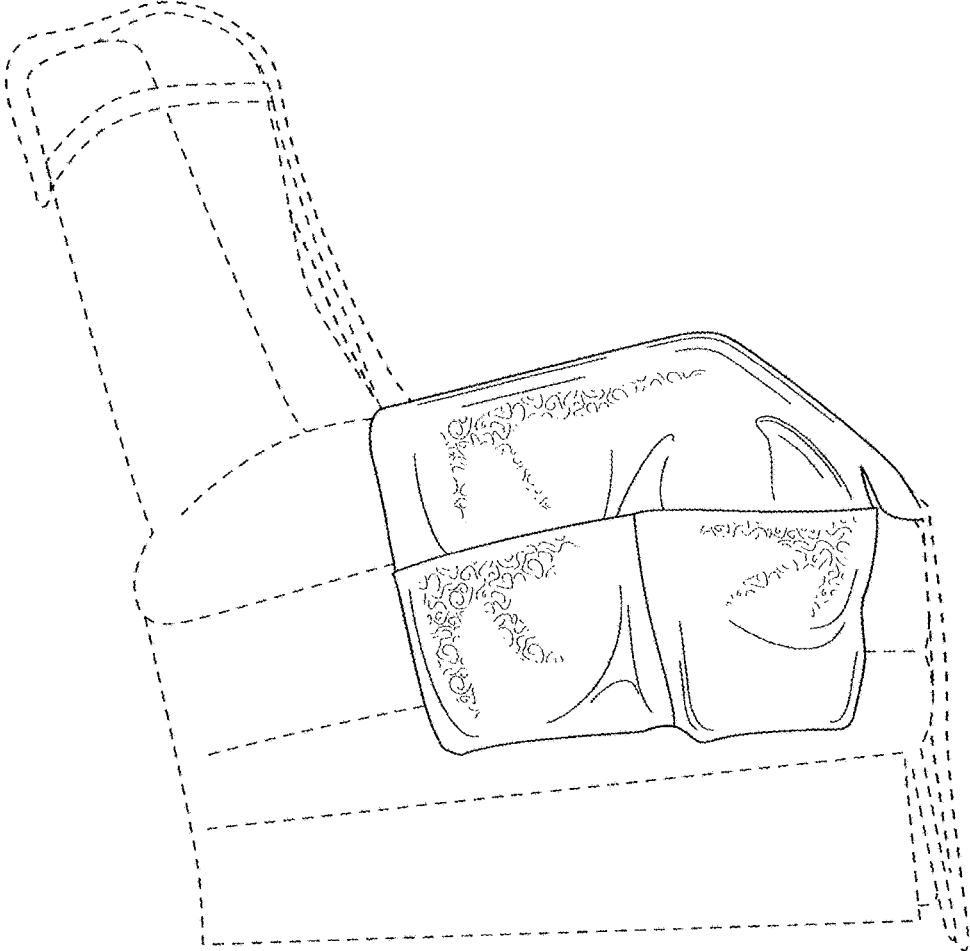


FIG. 4

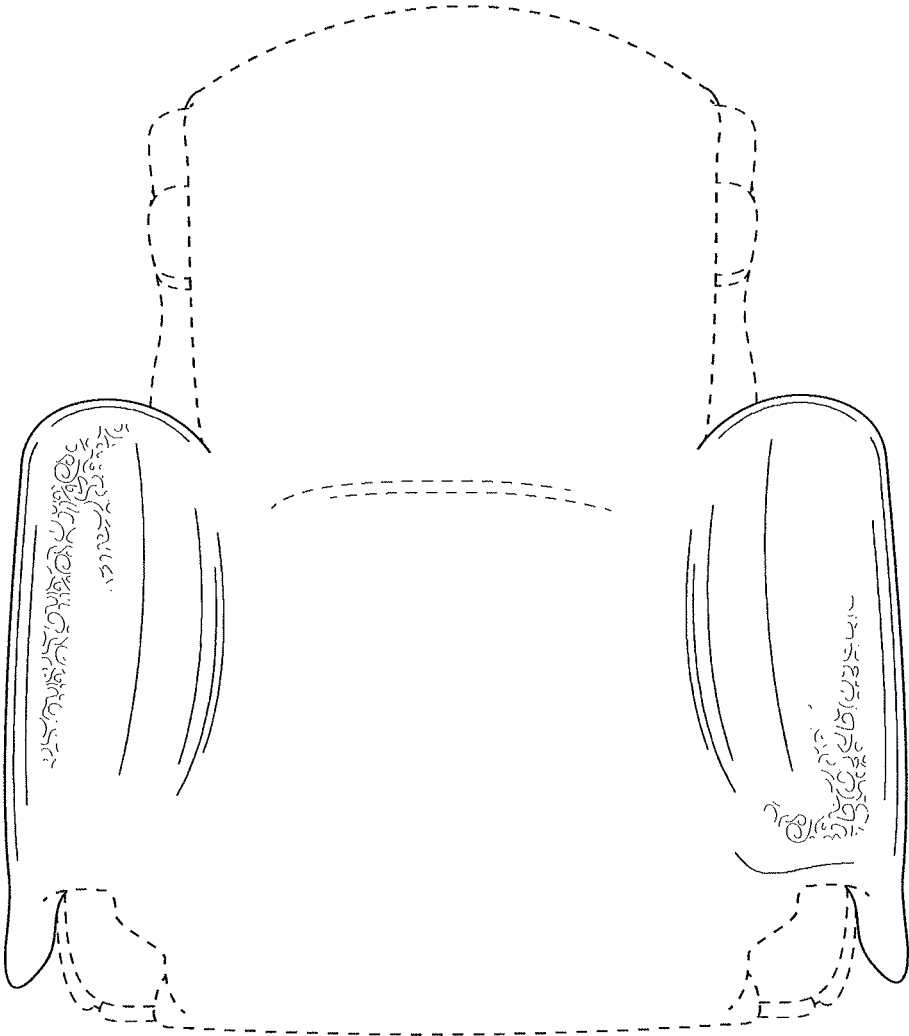


FIG. 5

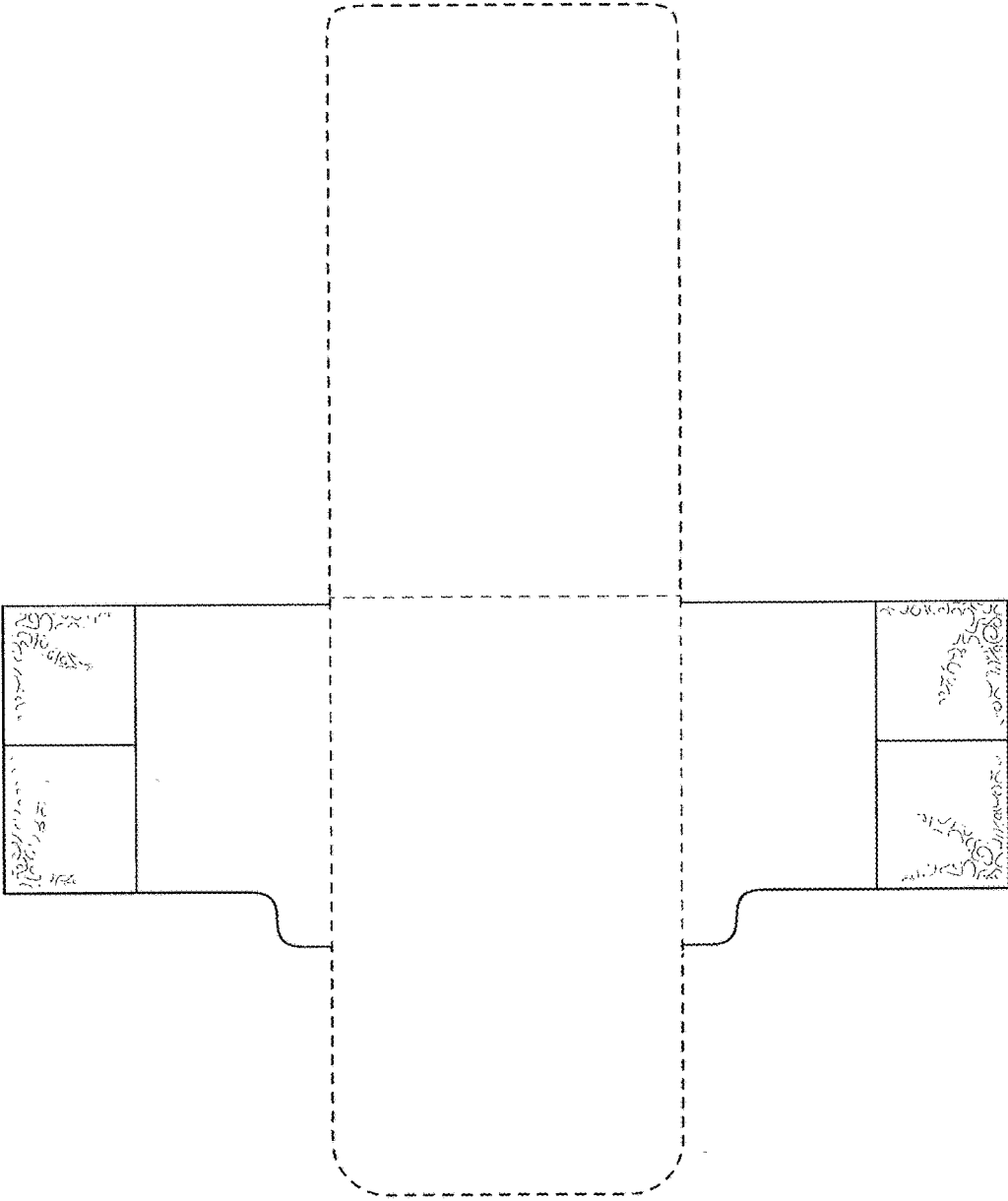


FIG. 6

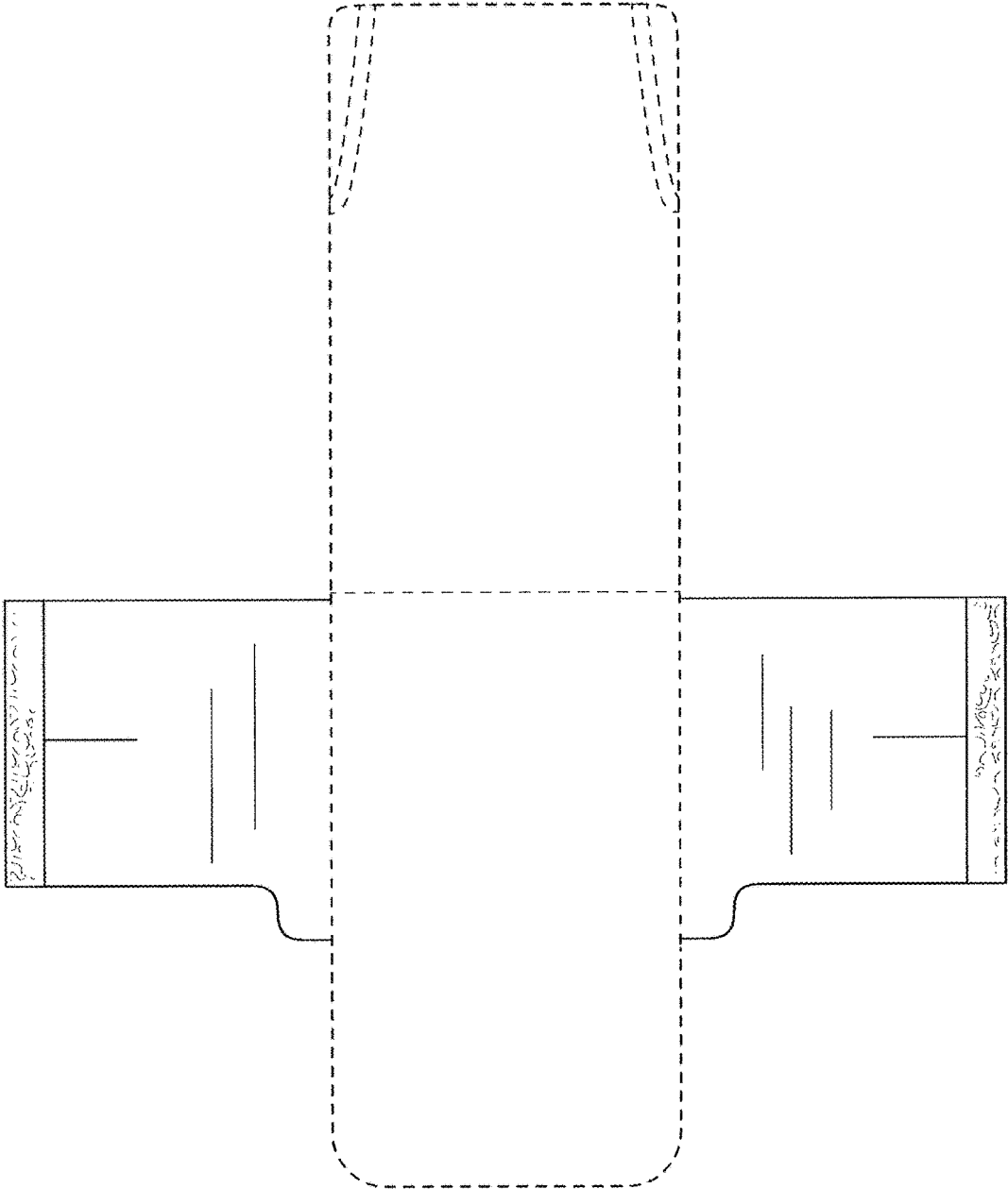


FIG. 7



FIG. 8

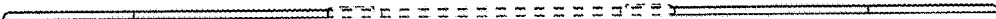


FIG. 9

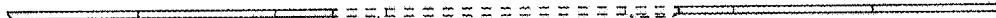


FIG. 10