



US00D874840S

(12) **United States Design Patent**
Krouwel

(10) **Patent No.:** **US D874,840 S**

(45) **Date of Patent:** **** Feb. 11, 2020**

- (54) **BENCH**
- (71) Applicant: **STREETLIFE BV**, Leiden (NL)
- (72) Inventor: **P. J. W. Krouwel**, Leiden (NL)
- (**) Term: **15 Years**
- (21) Appl. No.: **35/506,028**
- (22) Filed: **Sep. 12, 2018**
- (80) **Hague Agreement Data**
 Int. Filing Date: **Sep. 12, 2018**
 Int. Reg. No.: **DM/103587**
 Int. Reg. Date: **Sep. 12, 2018**
 Int. Reg. Pub. Date: **Nov. 16, 2018**

D453,424	S	*	2/2002	Stewart	D6/349
D505,559	S	*	5/2005	Sun	D6/349
D521,763	S	*	5/2006	Wilmotte	D6/349
7,252,331	B1	*	8/2007	Walton	A47C 11/00
						297/232
D578,783	S	*	10/2008	Skalka	D6/355
D582,169	S	*	12/2008	Skalka	D6/355
D704,941	S	*	5/2014	Anderson	D6/349
D713,190	S	*	9/2014	Behar	D6/370
D714,561	S	*	10/2014	Lange	D6/349
D743,707	S	*	11/2015	Simitian	D6/349
D753,419	S	*	4/2016	Heirakuji	D6/675
9,456,697	B2	*	10/2016	Simitian	A47C 7/16
D798,073	S	*	9/2017	Asner	D6/349
D810,476	S	*	2/2018	Heirakuji	D6/675
D832,606	S	*	11/2018	Shemer	D6/349
D839,617	S	*	2/2019	Tarraso Climent	D6/349

* cited by examiner

Primary Examiner — Deanna L Pratt

- (51) **LOC (12) Cl.** **06-01**
- (52) **U.S. Cl.** **D6/349**
- (58) **Field of Classification Search**
 USPC D6/349, 352, 353, 354, 355, 370, 371,
 D6/381
 CPC A47C 11/00
 See application file for complete search history.

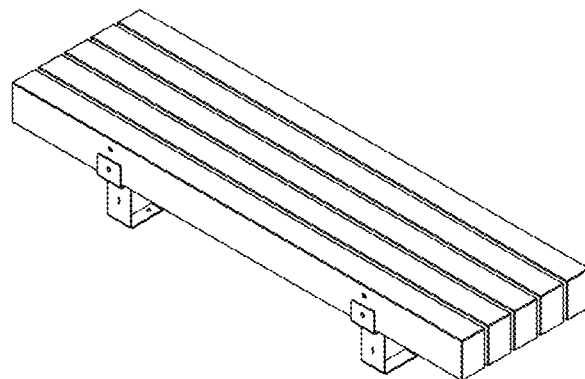
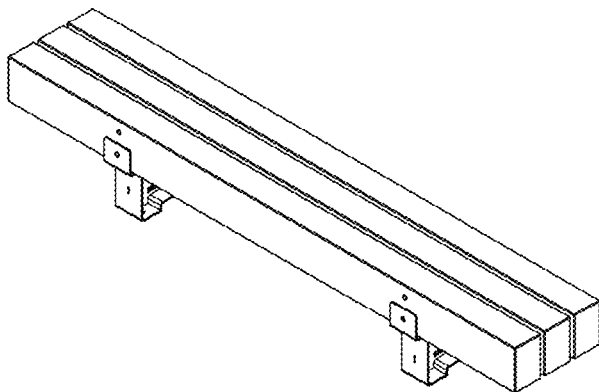
(57) **CLAIM**
The ornamental design for bench, as shown and described.

- (56) **References Cited**
U.S. PATENT DOCUMENTS
 D213,496 S * 3/1969 Wormser D6/349
 D214,042 S * 5/1969 Henebry et al. D6/381
 D214,440 S * 6/1969 Henebry et al. D6/349
 D214,740 S * 7/1969 Douglas D6/349
 3,722,431 A * 3/1973 Howard A47B 3/00
 108/157.13
 D253,142 S * 10/1979 Herman 297/232
 D313,128 S * 12/1990 Serafini D6/338
 D357,364 S * 4/1995 Dionne D6/335
 D365,937 S * 1/1996 Skalka D6/349

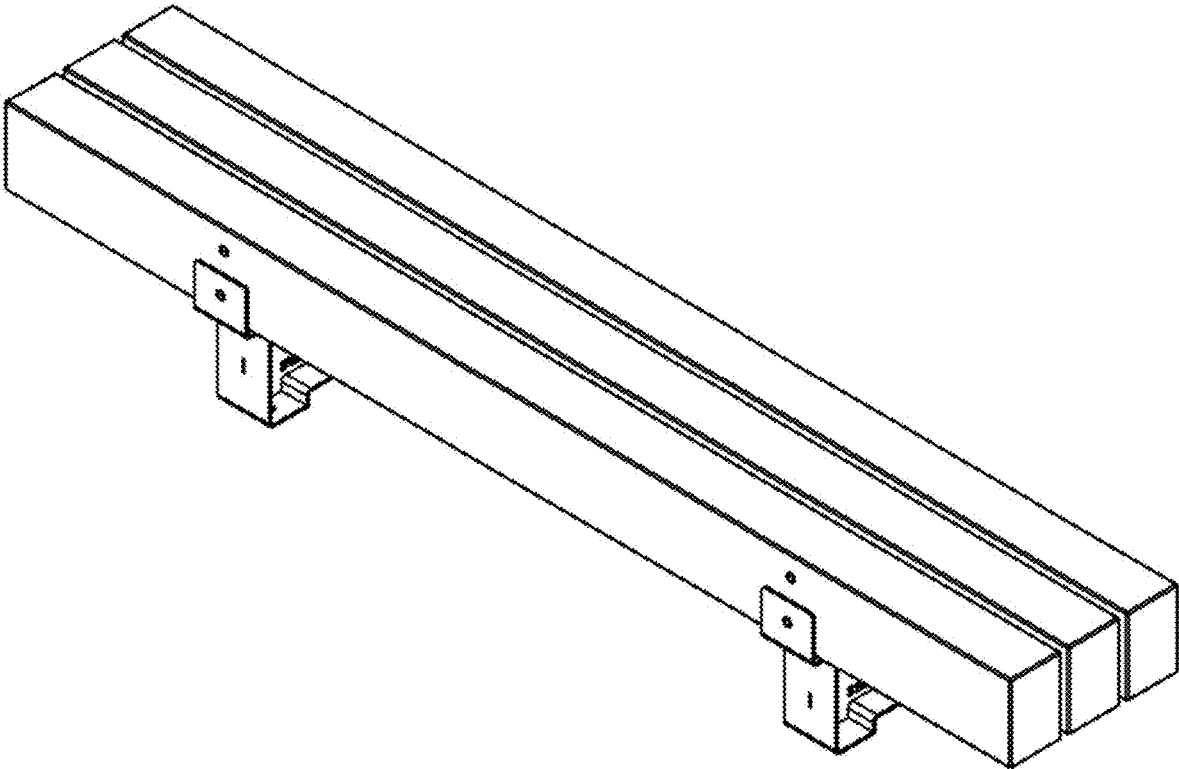
DESCRIPTION

- 1.-3. Bench
- 1.1: Perspective
- 1.2: Side
- 1.3: Front
- 1.4: Top
- 1.5: Rear
- 1.6: Front
- 2.1: Side
- 2.2: Perspective
- 2.3: Top
- 3.1: Top
- 3.2: Side
- 3.3: Perspective

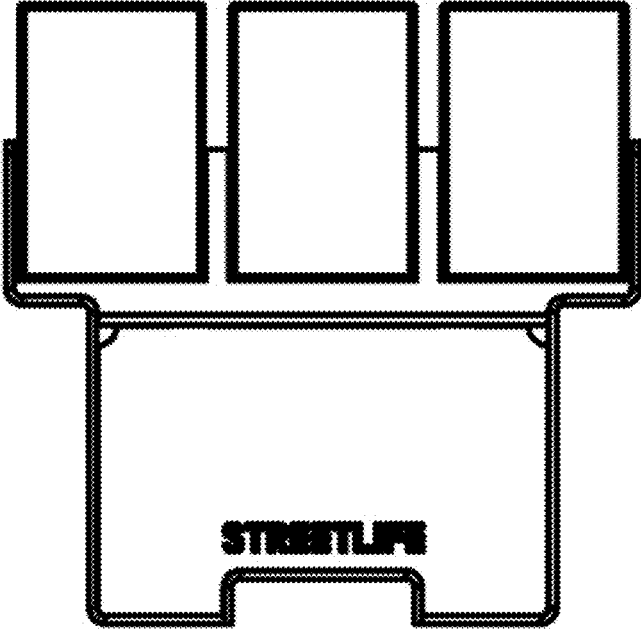
1 Claim, 12 Drawing Sheets



1.1



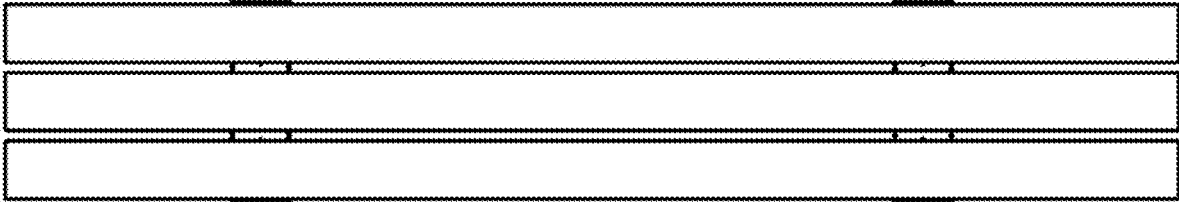
1.2



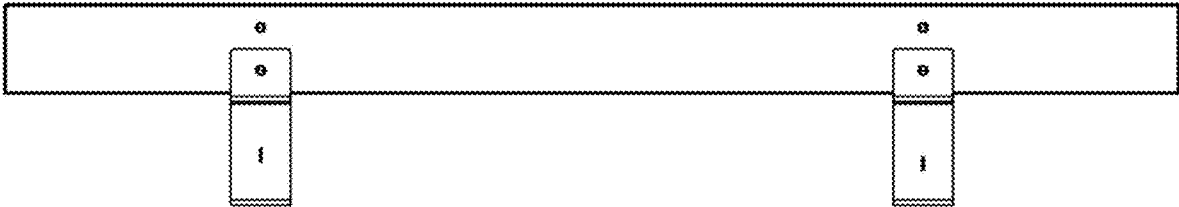
1.3



1.4



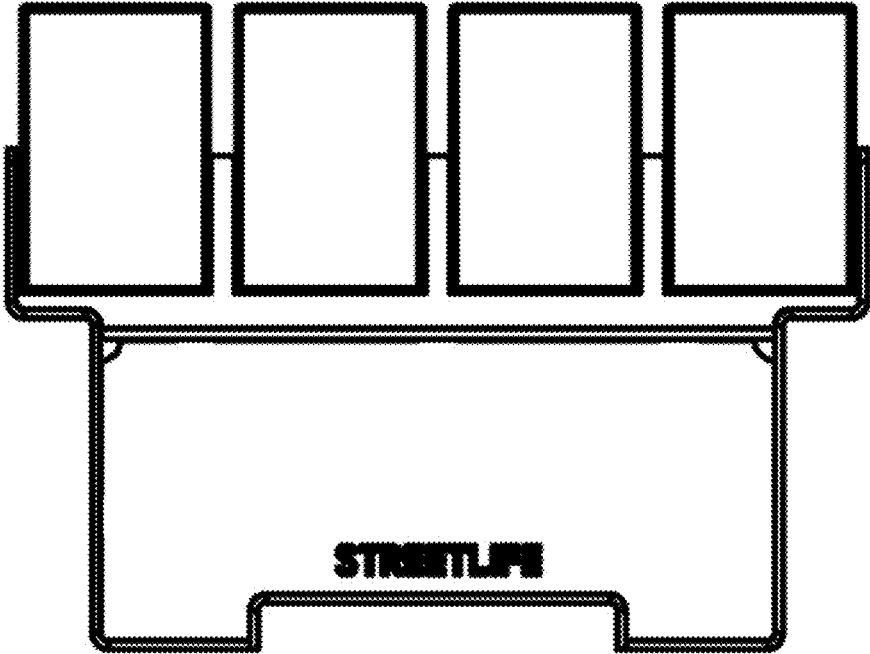
1.5



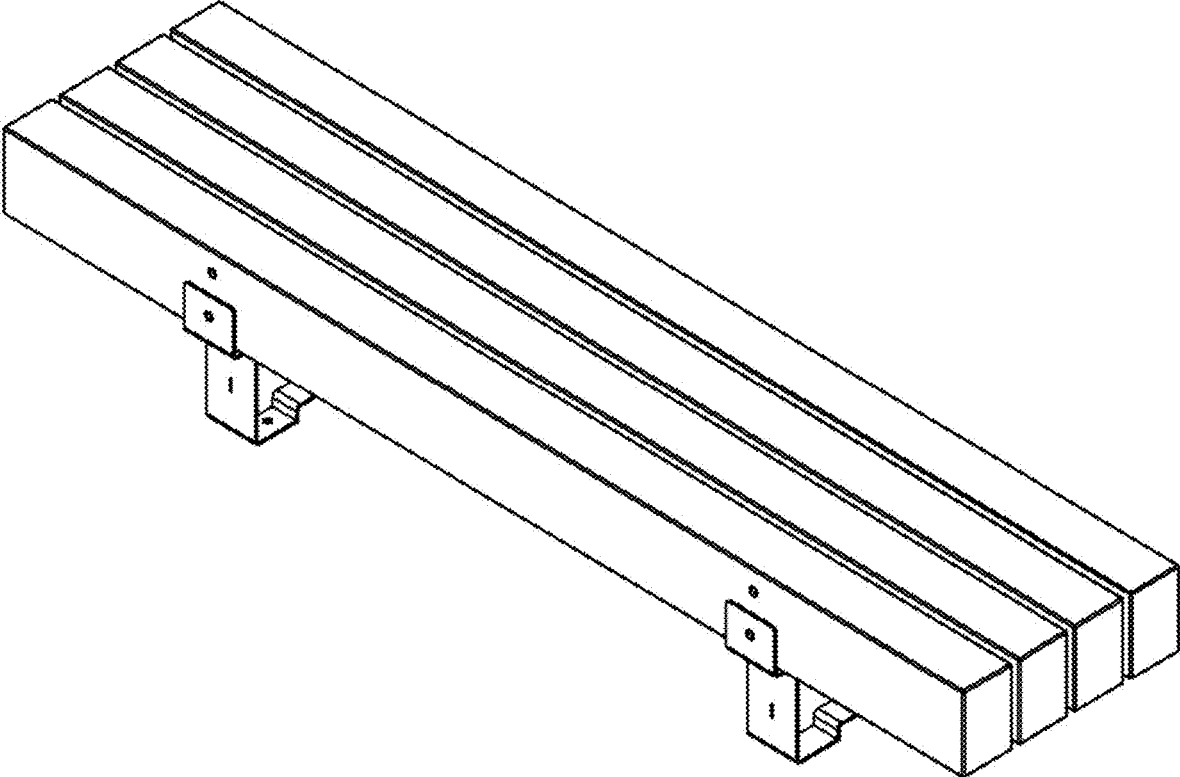
1.6



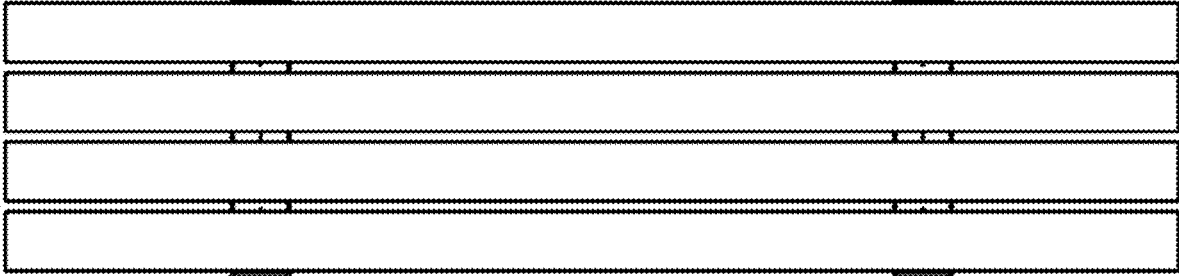
2.1



2.2

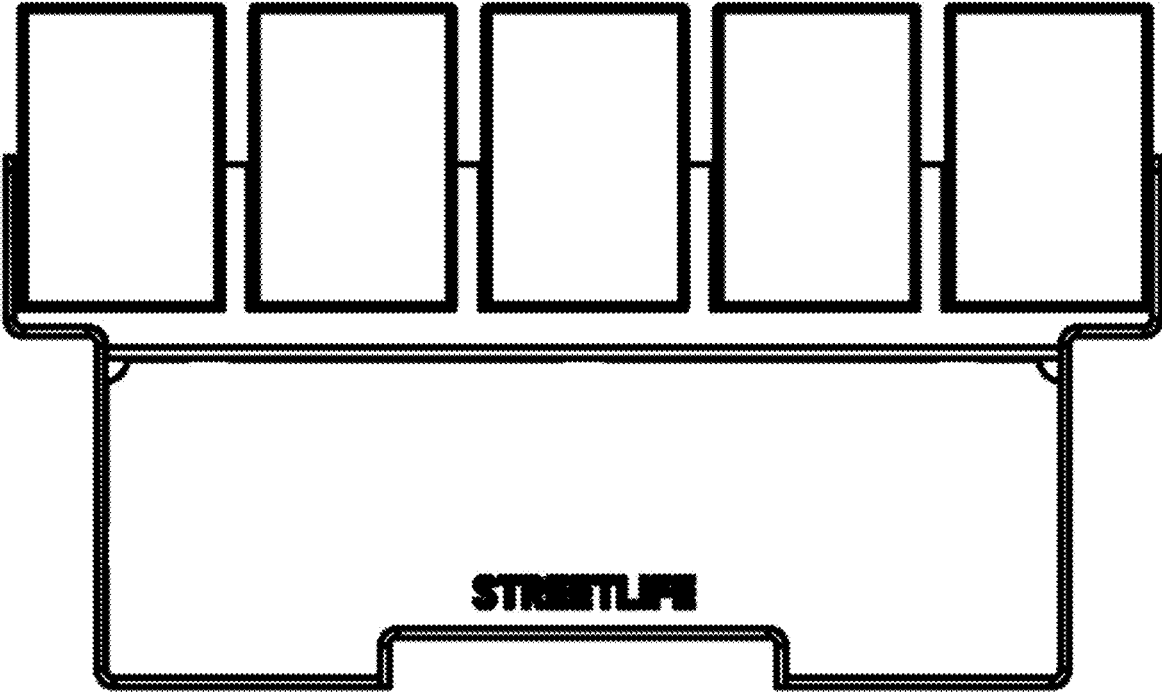


2.3



3.1

3.2



3.3

