



US00D910606S

(12) **United States Design Patent**
Zhou

(10) **Patent No.:** **US D910,606 S**

(45) **Date of Patent:** **** Feb. 16, 2021**

(54) **TV ANTENNA**

(71) Applicant: **Zhicheng Zhou**, Shenzhen (CN)

(72) Inventor: **Zhicheng Zhou**, Shenzhen (CN)

(**) Term: **15 Years**

(21) Appl. No.: **29/702,571**

(22) Filed: **Aug. 20, 2019**

(51) **LOC (13) Cl.** **14-03**

(52) **U.S. Cl.**
USPC **D14/230**

(58) **Field of Classification Search**
USPC D14/138, 230-238, 299, 358; D12/42,
D12/43
CPC H01Q 7/00; H01Q 13/10; H01Q 9/285;
H01Q 19/30; H01Q 19/12; H01Q 1/38;
H01Q 1/36; H04B 1/0475; H04B 1/034;
H05K 11/00

See application file for complete search history.

(56) **References Cited**

U.S. PATENT DOCUMENTS

D170,203	S *	8/1953	Leonard	D14/230
D310,671	S *	9/1990	Weiss	D14/230
D345,362	S *	3/1994	Kadono	D14/230
D378,368	S *	3/1997	McGreevy	D14/137
D449,593	S *	10/2001	Schultz	D14/235
D480,714	S *	10/2003	Wang	D14/235
D501,468	S *	2/2005	Wang	D14/235
D585,883	S *	2/2009	Kaneko	D14/230
D611,460	S *	3/2010	Chao	D14/230
D638,408	S *	5/2011	Kallmer	D14/231
8,599,079	B2 *	12/2013	Kudo	H01Q 1/3291 343/713
D825,503	S *	8/2018	Yeng	D13/182
D831,622	S *	10/2018	Yang	D14/230
D837,769	S *	1/2019	Yang	D14/230
D838,695	S *	1/2019	Yang	D14/230

D852,172	S *	6/2019	Wu	D14/230
D864,172	S *	10/2019	Yang	D14/230
D864,925	S *	10/2019	Yang	D14/230
D865,725	S *	11/2019	Yang	D14/230
D872,712	S *	1/2020	Yang	D14/230
D872,714	S *	1/2020	Yang	D14/230
D883,264	S *	5/2020	Ross, III	D14/230
D888,694	S *	6/2020	Feit	D14/230
D888,697	S *	6/2020	Ross, III	D14/230
D892,096	S *	8/2020	Feit	D14/230
D896,791	S *	9/2020	Yang	D14/230
D896,793	S *	9/2020	Yang	D14/230
D896,794	S *	9/2020	Yang	D14/230
D896,800	S *	9/2020	Yang	D14/230
2007/0210980	A1 *	9/2007	Shen	H01Q 19/022 343/912

* cited by examiner

Primary Examiner — John Windmuller

(74) *Attorney, Agent, or Firm* — Xuan Zhang

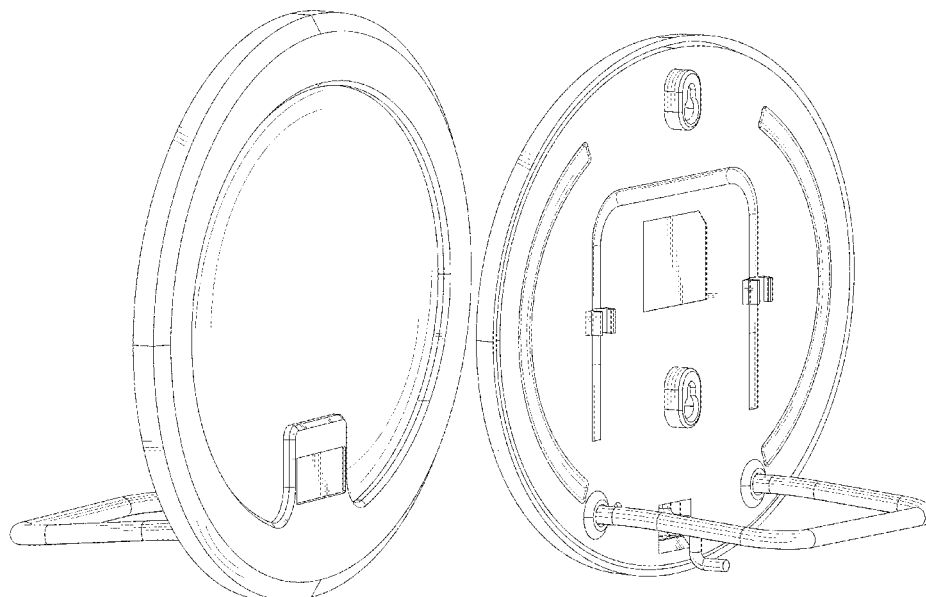
(57) **CLAIM**

The ornamental design for a TV antenna, as shown and described.

DESCRIPTION

FIG. 1 is a front perspective view of a TV antenna showing my new design;
 FIG. 2 is a rear perspective view thereof;
 FIG. 3 is a rear perspective view thereof with the stand in a stowed position;
 FIG. 4 is a front elevation view thereof;
 FIG. 5 is a rear elevation view thereof;
 FIG. 6 is a rear elevation view thereof with the stand in a stowed position;
 FIG. 7 is a top elevation view thereof;
 FIG. 8 is a bottom elevation view thereof;
 FIG. 9 is a left side elevation view thereof; and,
 FIG. 10 is a right side elevation view thereof.

1 Claim, 10 Drawing Sheets



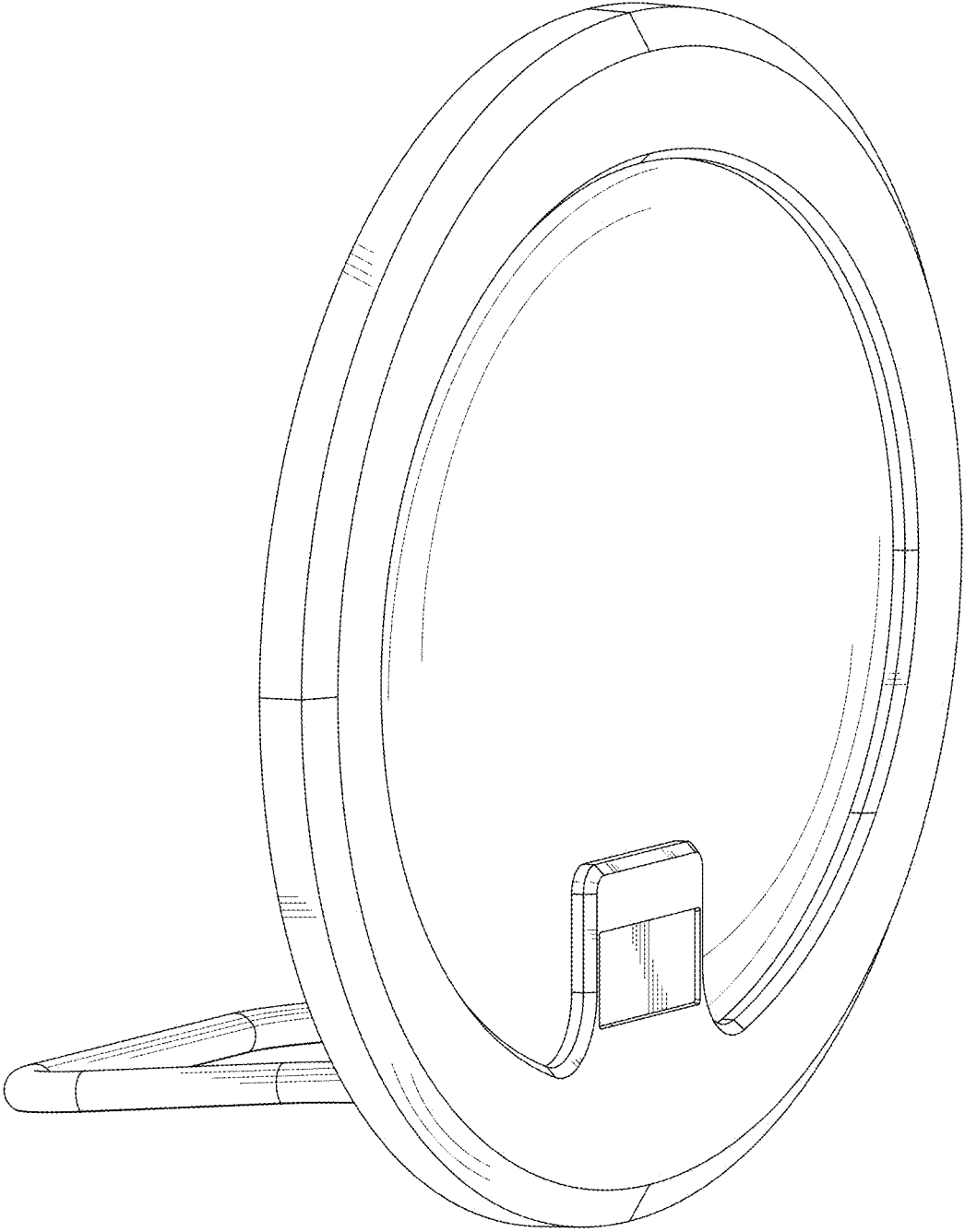


FIG. 1

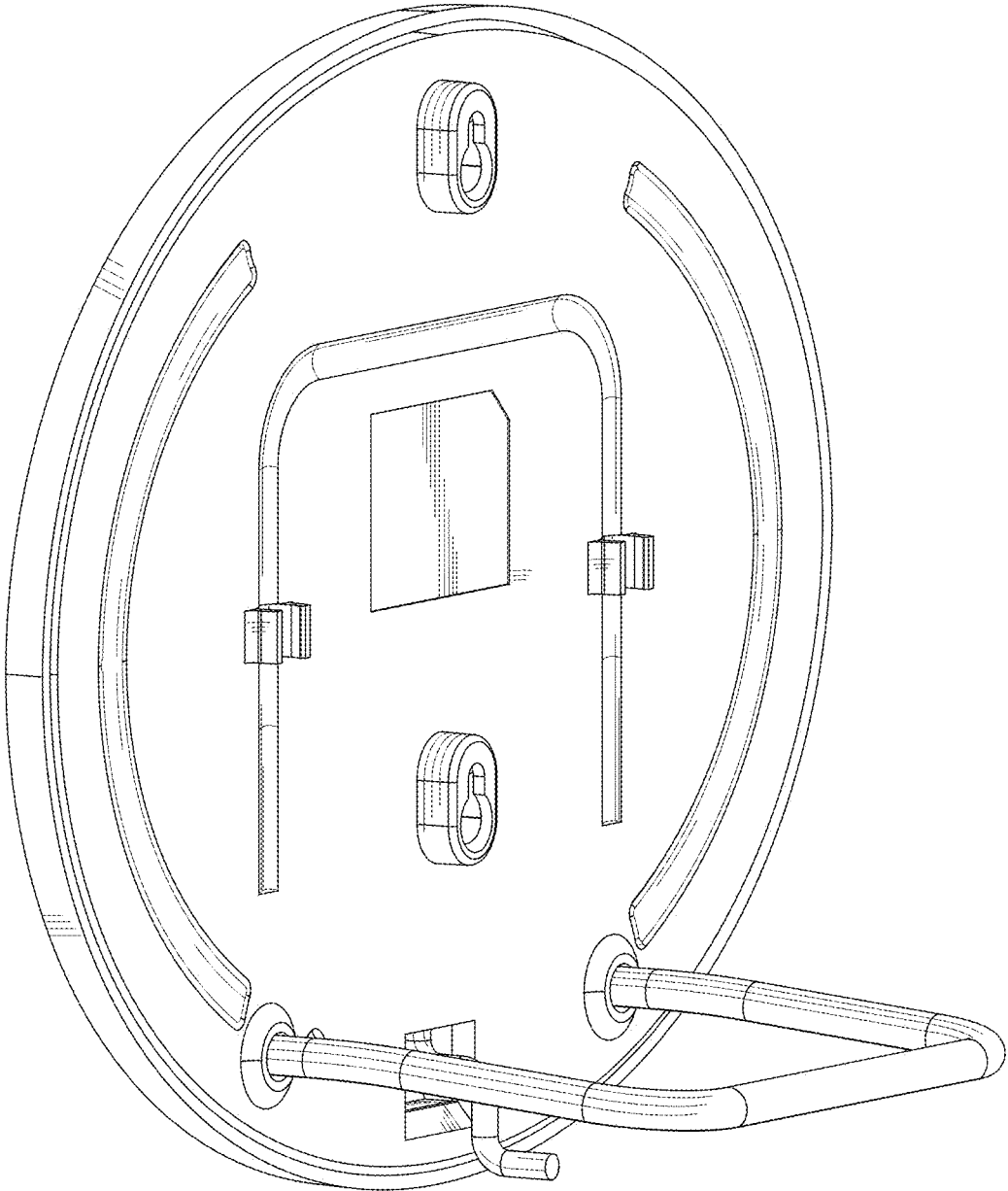


FIG. 2

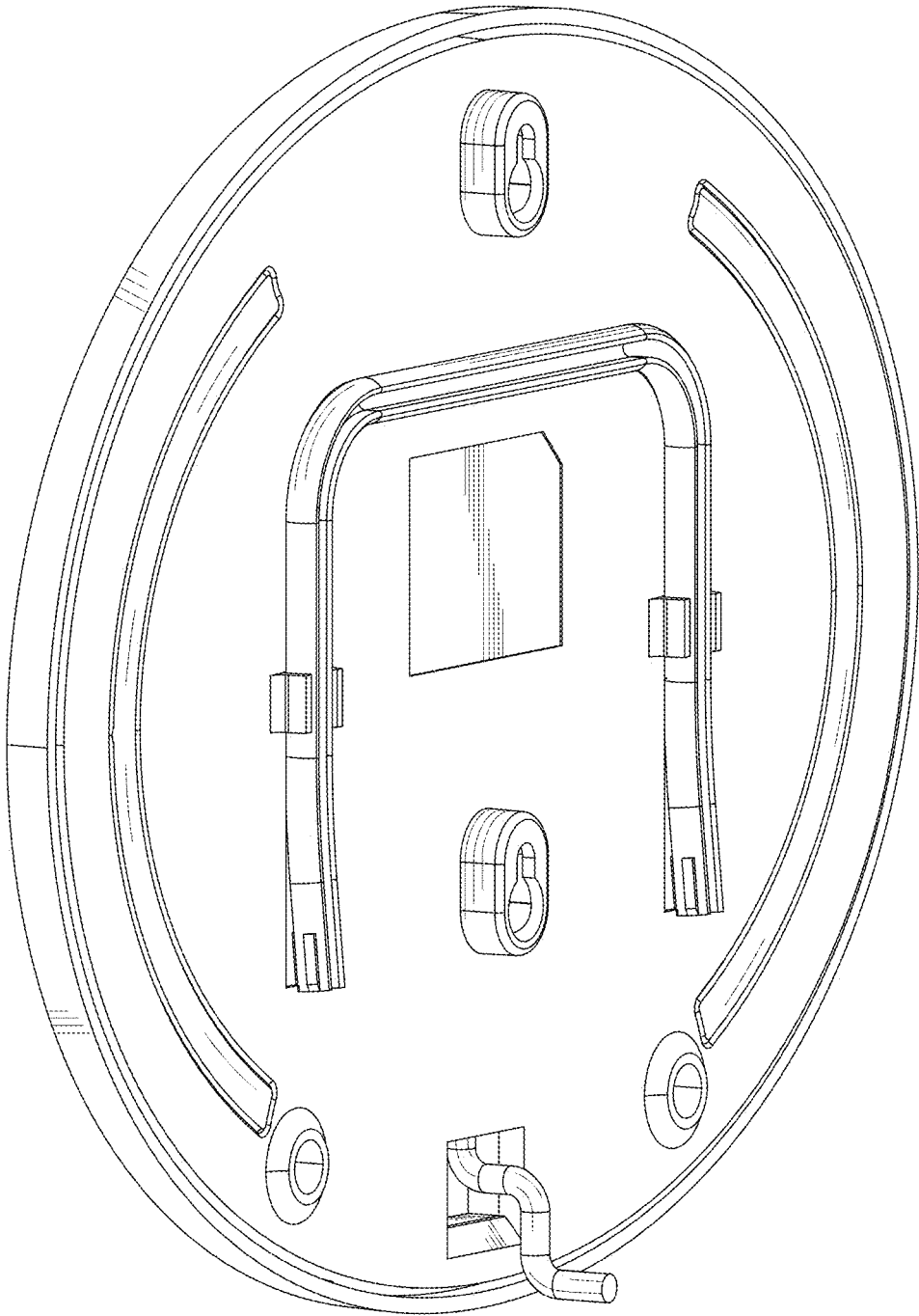


FIG. 3

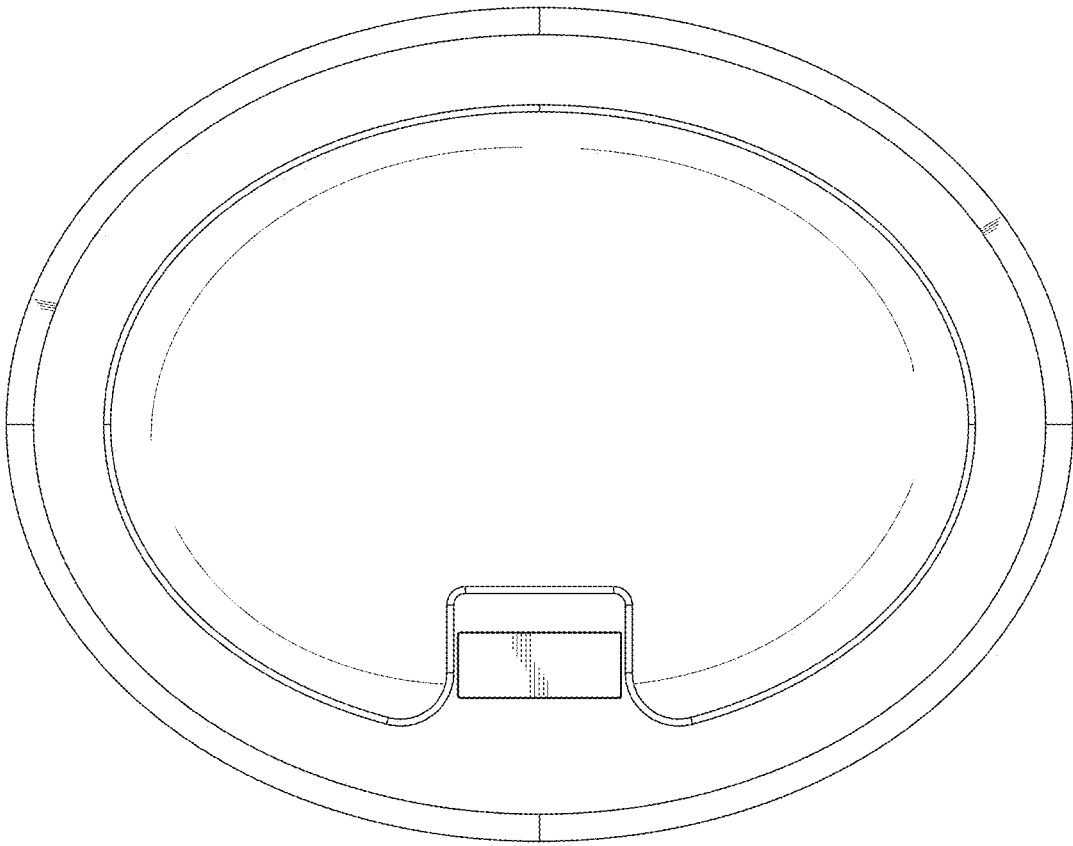


FIG. 4

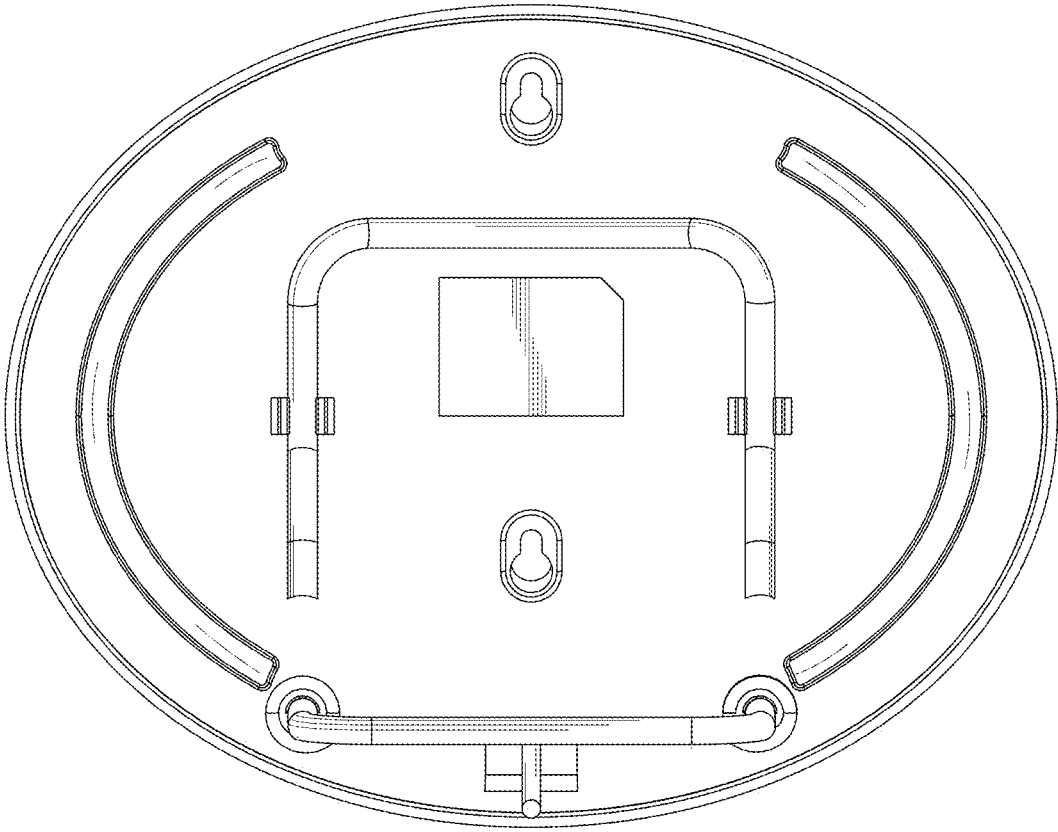


FIG. 5

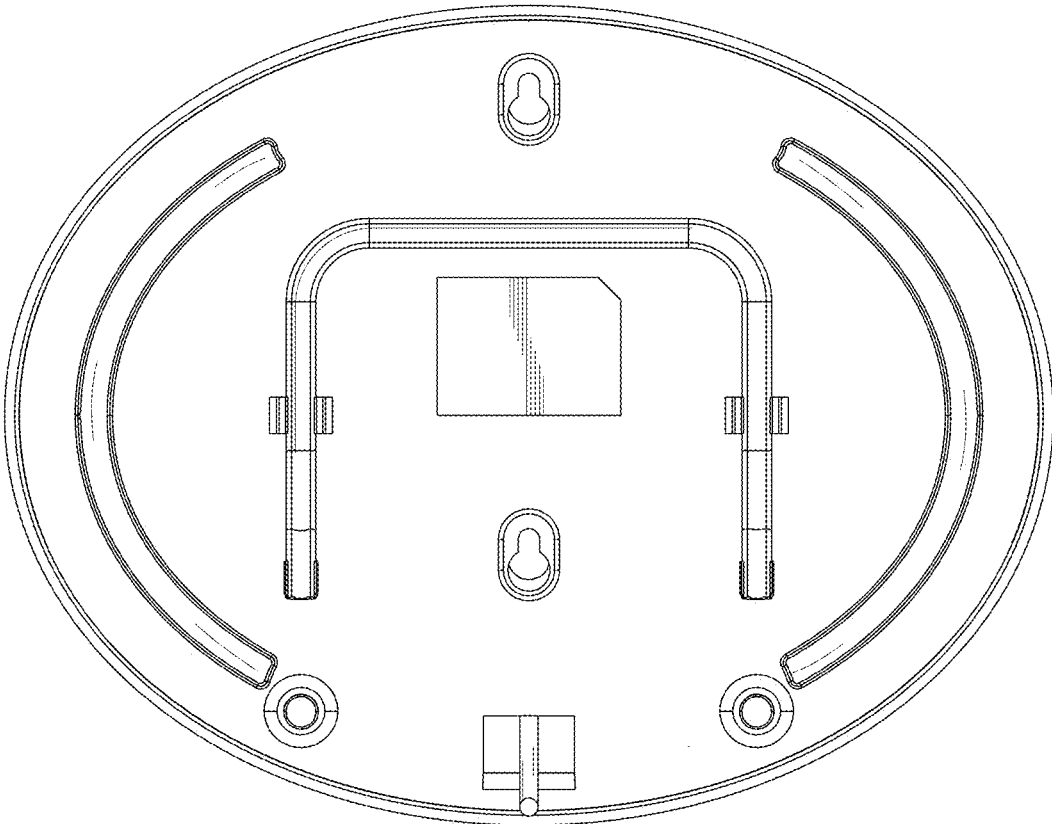


FIG. 6

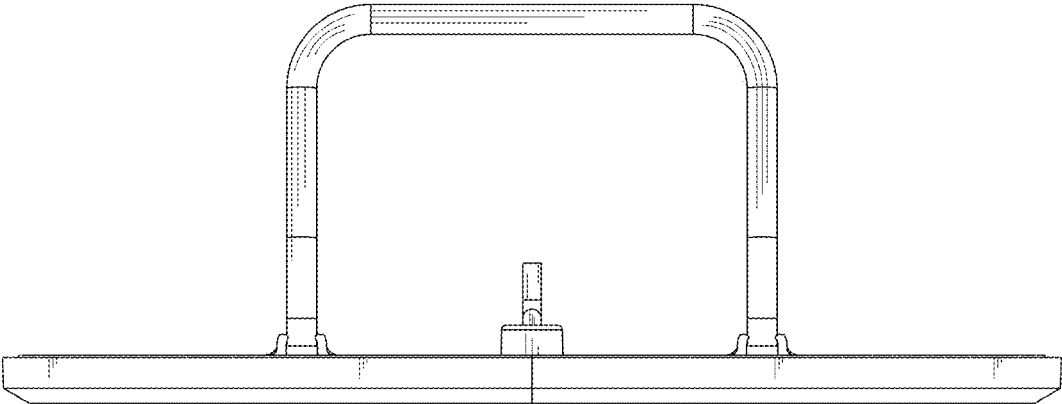


FIG. 7

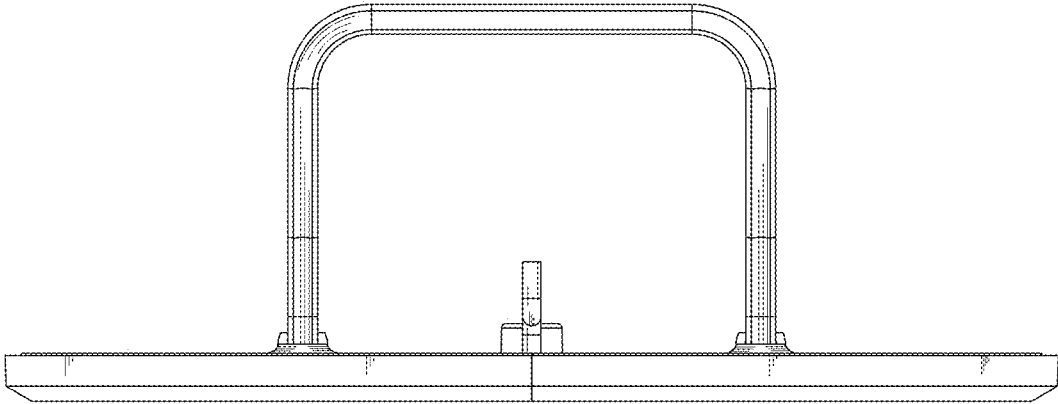


FIG. 8

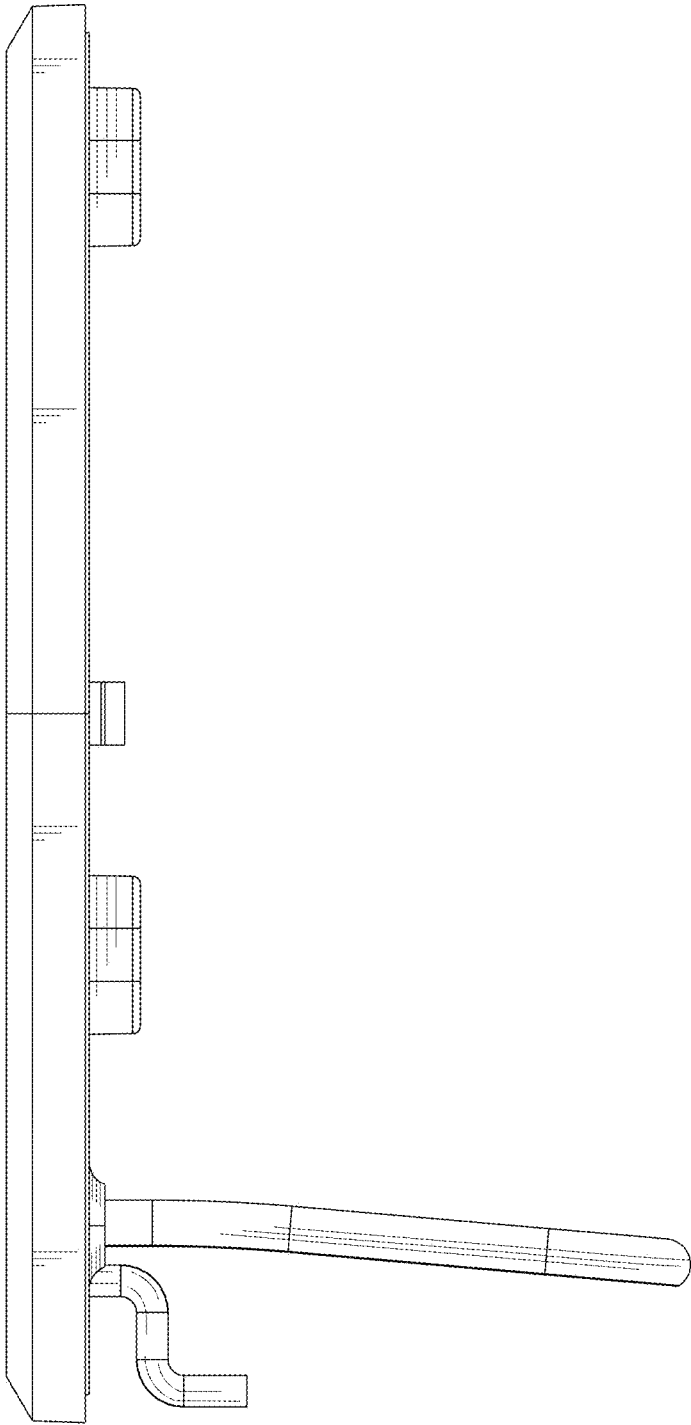


FIG. 9

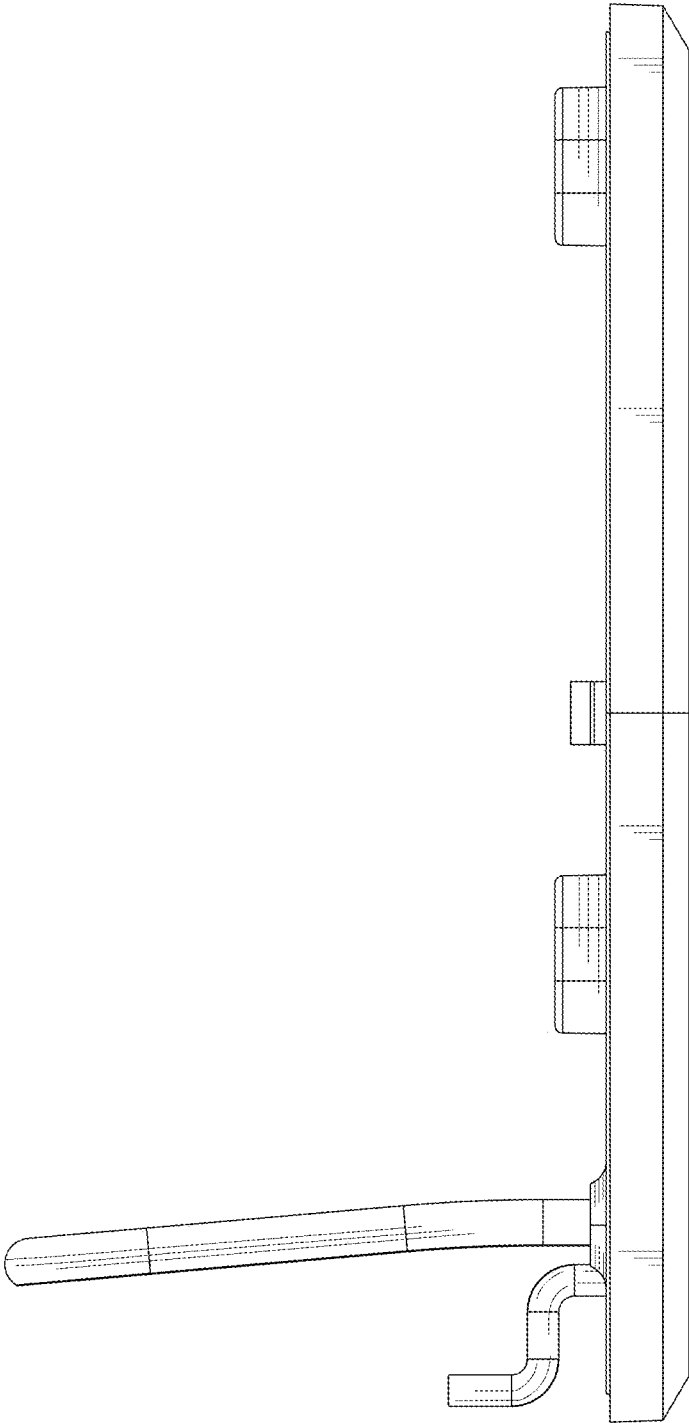


FIG. 10