



US00D484308S

(12) **United States Design Patent** (10) **Patent No.:** **US D484,308 S**  
**Solsberry** (45) **Date of Patent:** **\*\* Dec. 30, 2003**

(54) **BEVERAGE HOLDER HAVING SPRING-BIASED CLIP, ENCIRCLING STRAP WITH HOOK-AND LOOP FASTENER, AND PIVOTING SUPPORT PLATFORM**

D370,559 S \* 6/1996 Arndt ..... D3/229  
D408,991 S \* 5/1999 Perez ..... D3/229

\* cited by examiner

*Primary Examiner*—Catherine R. Oliver  
(74) *Attorney, Agent, or Firm*—Donald R. Schoonover

(76) **Inventor:** **Gary G. Solsberry**, P.O. Box 145,  
Crothersville, IN (US) 47229

(\*\*) **Term:** **14 Years**

(21) **Appl. No.:** **29/177,721**

(22) **Filed:** **Mar. 17, 2003**

(51) **LOC (7) Cl.** ..... **03-01**

(52) **U.S. Cl.** ..... **D3/229**

(58) **Field of Search** ..... D3/229, 215, 218,  
D3/226, 224, 221; D7/620, 619.1, 619.2,  
622, 623; 224/148.1–148.6, 901; 248/311.2,  
313, 207

(56) **References Cited**

**U.S. PATENT DOCUMENTS**

4,060,876 A	12/1977	De Soto	224/666
4,265,381 A	5/1981	Muscatell	224/148
D279,836 S	* 7/1985	Tanaka	D12/420
4,819,846 A	4/1989	Hannemann	224/240
5,060,835 A	10/1991	Payne	224/224
D333,071 S	* 2/1993	Lim	D7/620
D351,279 S	10/1994	Montgomery	D3/215
5,410,762 A	5/1995	Maskovich	2/338

(57) **CLAIM**

The ornamental design for a beverage holder having spring-biased clip, encircling strap with hook-and-loop fastener, and pivoting support platform, as shown and described.

**DESCRIPTION**

FIG. 1 is a perspective view of a beverage holder having spring-biased clip, encircling strap with hook-and-loop fastener, and pivoting support platform showing my new design;

FIG. 2 is a front elevational view thereof;

FIG. 3 is a rear elevational view thereof;

FIG. 4 is a left side elevational view thereof;

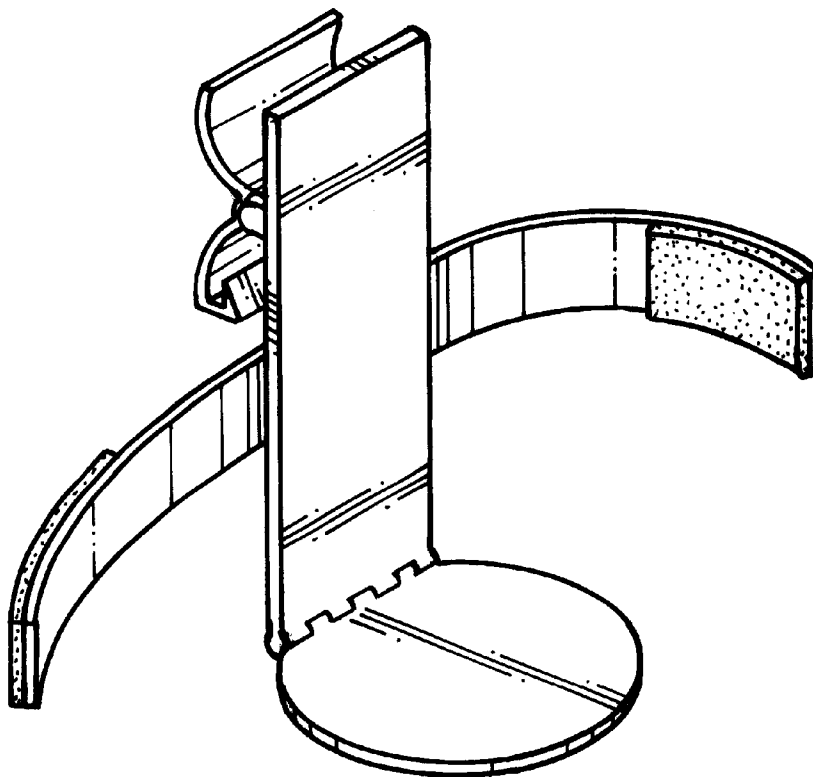
FIG. 5 is a right side elevational view thereof;

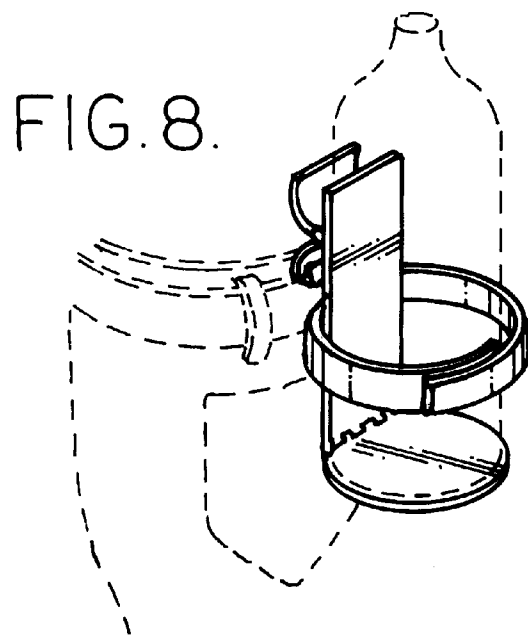
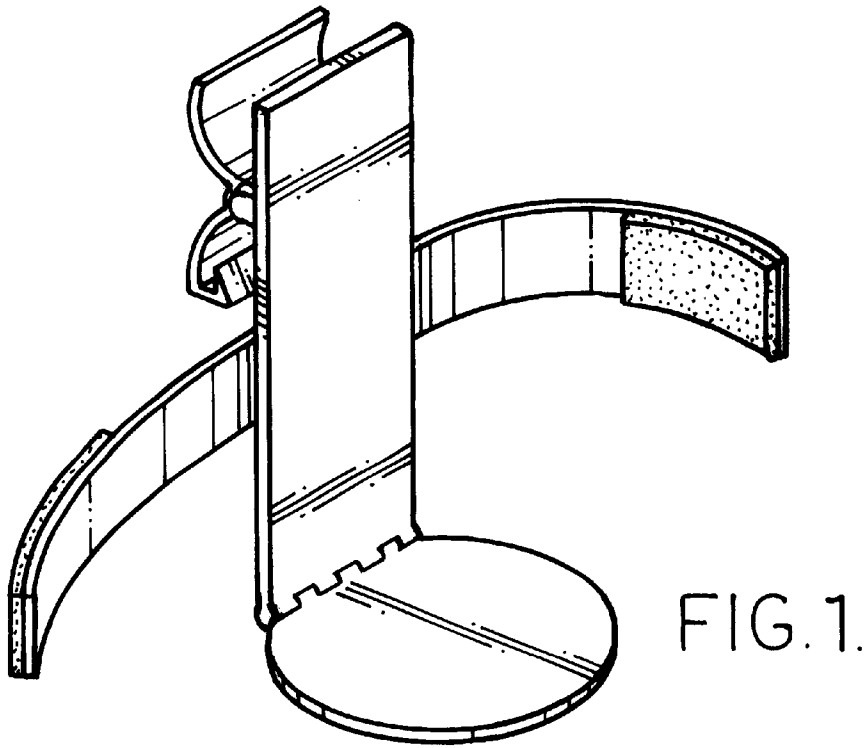
FIG. 6 is a top plan view thereof;

FIG. 7 is a bottom plan view thereof; and,

FIG. 8 is a reduced perspective view showing the beverage holder having spring-biased clip, encircling strap with hook-and-loop fastener, and pivoting support platform in use; the broken lines show environmental structure for illustrative purposes only and form no part of the claimed design.

**1 Claim, 4 Drawing Sheets**





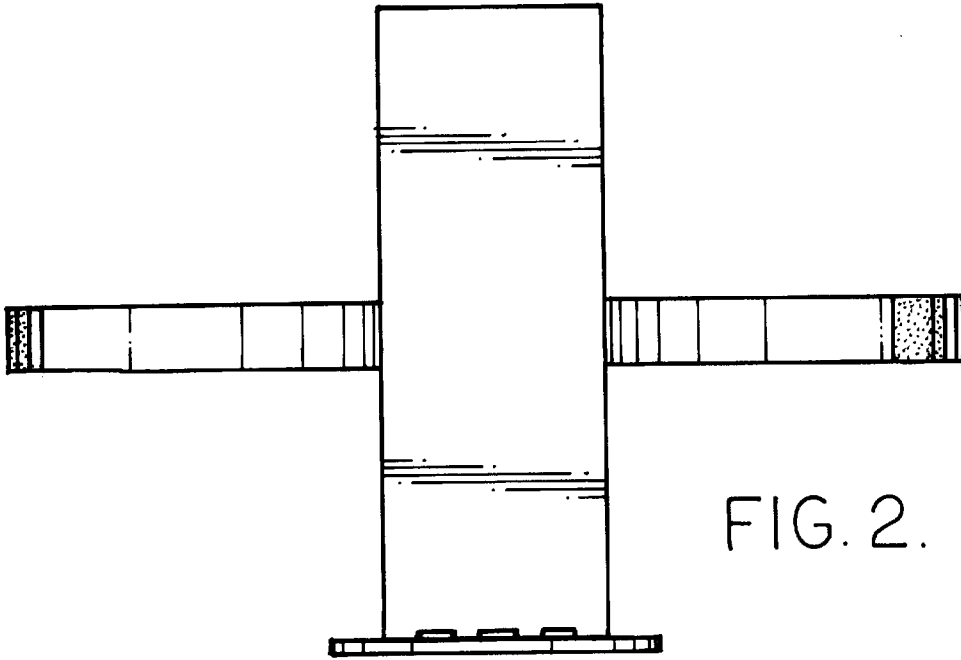


FIG. 2.

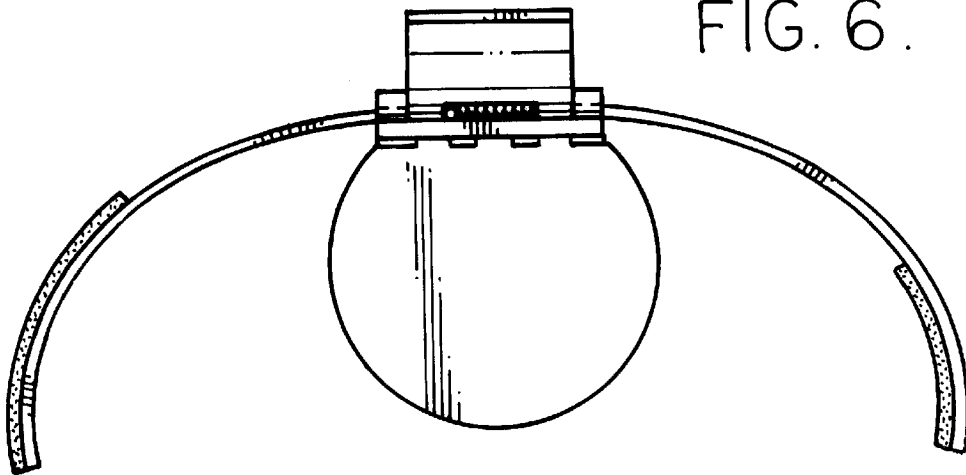
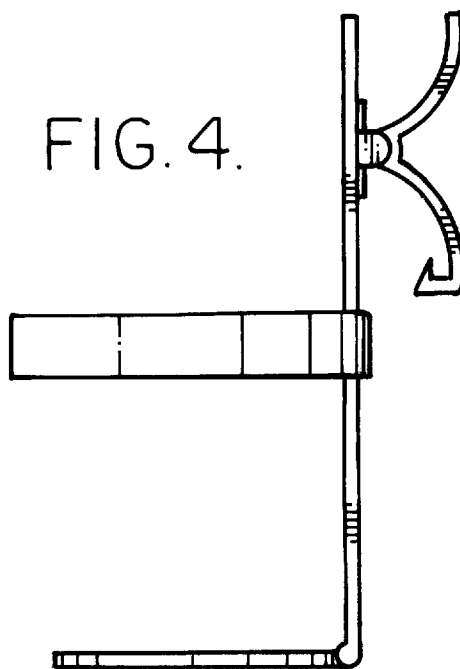
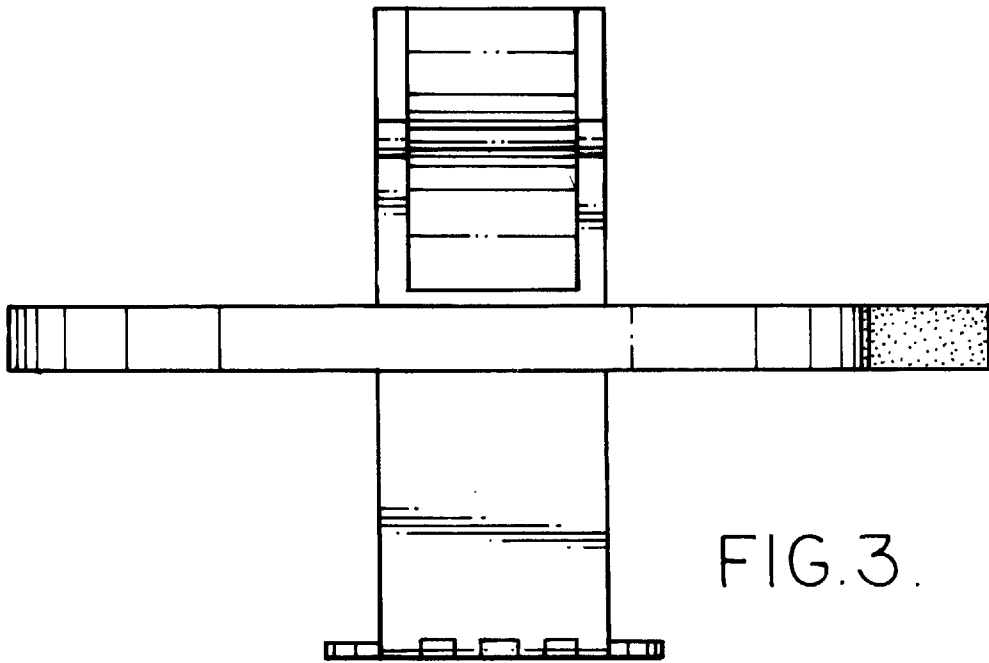


FIG. 6.



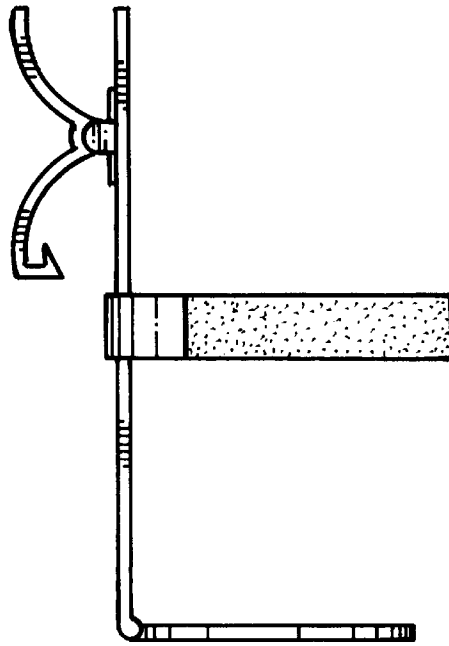


FIG. 5

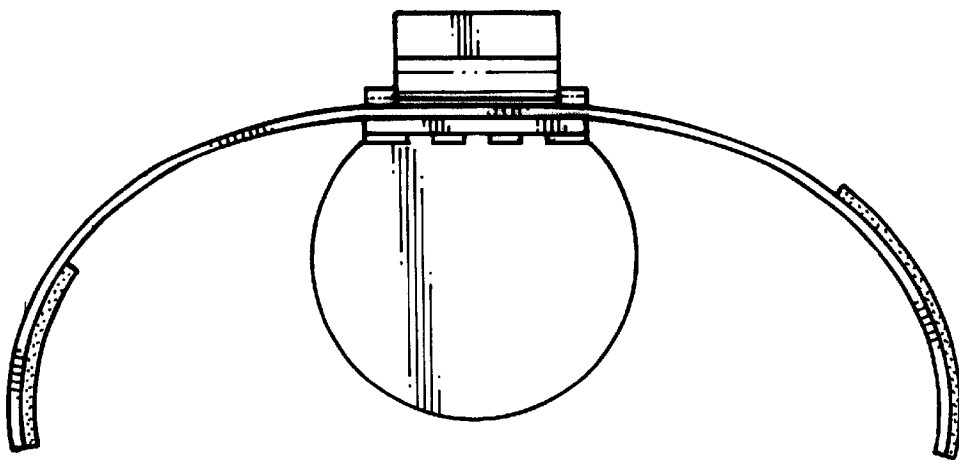


FIG. 7.