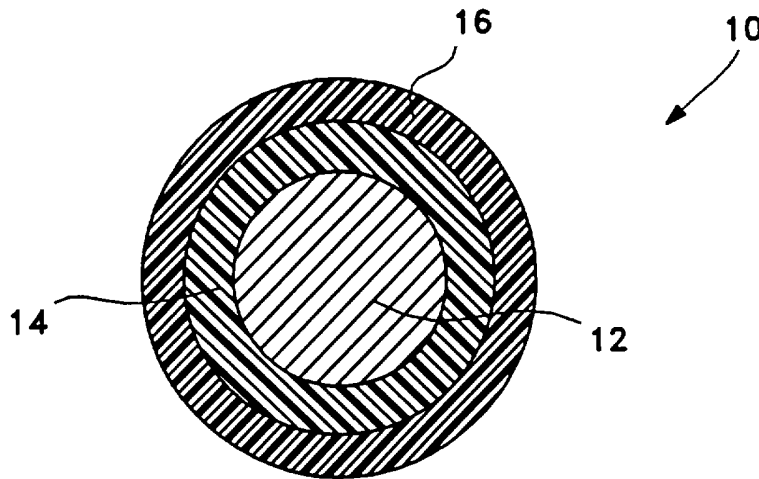




INTERNATIONAL APPLICATION PUBLISHED UNDER THE PATENT COOPERATION TREATY (PCT)

<p>(51) International Patent Classification ⁶ : A01N 1/02, A61B 5/00, A61M 25/00</p>	<p>A3</p>	<p>(11) International Publication Number: WO 95/04839 (43) International Publication Date: 16 February 1995 (16.02.95)</p>
<p>(21) International Application Number: PCT/US94/08515 (22) International Filing Date: 27 July 1994 (27.07.94) (30) Priority Data: 08/097,458 27 July 1993 (27.07.93) US (60) Parent Application or Grant (63) Related by Continuation US 08/097,458 (CIP) Filed on 27 July 1993 (27.07.93) (71) Applicant (for all designated States except US): TARGET THERAPEUTICS, INC. [US/US]; 47201 Lakeview Boulevard, P.O. Box 5120, Fremont, CA 94537-5120 (US). (72) Inventors; and (75) Inventors/Applicants (for US only): HERGENROTHER, Robert [US/US]; 171 Blaisdell Way, Fremont, CA 94536 (US). CHEE, Uriel, Hiram [US/US]; 127 Dolton Avenue, San Carlos, CA 94030 (US). SCHALLER, Laurent [CH/US]; 595 Benvenue Avenue, Los Altos, CA 94024 (US).</p>	<p>(74) Agents: WHEELOCK, E., Thomas et al.; Morrison & Foerster, 755 Page Mill Road, Palo Alto, CA 94304-1018 (US). (81) Designated States: AM, AT, AU, BB, BG, BR, BY, CA, CH, CN, CZ, DE, DK, ES, FI, GB, GE, HU, JP, KE, KG, KP, KR, KZ, LK, LT, LU, LV, MD, MG, MN, MW, NL, NO, NZ, PL, PT, RO, RU, SD, SE, SI, SK, TJ, TT, UA, US, UZ, VN, European patent (AT, BE, CH, DE, DK, ES, FR, GB, GR, IE, IT, LU, MC, NL, PT, SE), OAPI patent (BF, BJ, CF, CG, CI, CM, GA, GN, ML, MR, NE, SN, TD, TG). Published <i>With international search report.</i> <i>Before the expiration of the time limit for amending the claims and to be republished in the event of the receipt of amendments.</i> (88) Date of publication of the international search report: 16 March 1995 (16.03.95)</p>	

(54) Title: METHOD OF PRETREATING METALS FOR POLYMER COATING



(57) Abstract

This invention relates to a new technique for preparing metal devices such as guide wires for the subsequent attachment of hydrophilic coatings. The invention also relates to guide wires (10), and other devices made according to that method. In one embodiment of the method of this invention, a hydrocarbon residue undercoat (14) is applied to a metal guide wire core (12) by plasma deposition. A photoactive hydrophilic polymer (16) is then deposited on the hydrocarbon residue coating (14) and activated by ultraviolet light. The hydrocarbon residue coating (14) acts as a tie layer between the hydrophilic polymer (16) and the metal guide wire core (12) apparently by providing C-C bonds for the covalent linking of the coating material to the tie layer (14). The resulting article of this invention is a guide wire (10) having the maneuverability of a metal guide wire and the biocompatibility of a lubricious hydrophilic polymer.

FOR THE PURPOSES OF INFORMATION ONLY

Codes used to identify States party to the PCT on the front pages of pamphlets publishing international applications under the PCT.

AT	Austria	GB	United Kingdom	MR	Mauritania
AU	Australia	GE	Georgia	MW	Malawi
BB	Barbados	GN	Guinea	NE	Niger
BE	Belgium	GR	Greece	NL	Netherlands
BF	Burkina Faso	HU	Hungary	NO	Norway
BG	Bulgaria	IE	Ireland	NZ	New Zealand
BJ	Benin	IT	Italy	PL	Poland
BR	Brazil	JP	Japan	PT	Portugal
BY	Belarus	KE	Kenya	RO	Romania
CA	Canada	KG	Kyrgystan	RU	Russian Federation
CF	Central African Republic	KP	Democratic People's Republic of Korea	SD	Sudan
CG	Congo	KR	Republic of Korea	SE	Sweden
CH	Switzerland	KZ	Kazakhstan	SI	Slovenia
CI	Côte d'Ivoire	LI	Liechtenstein	SK	Slovakia
CM	Cameroon	LK	Sri Lanka	SN	Senegal
CN	China	LU	Luxembourg	TD	Chad
CS	Czechoslovakia	LV	Latvia	TG	Togo
CZ	Czech Republic	MC	Monaco	TJ	Tajikistan
DE	Germany	MD	Republic of Moldova	TT	Trinidad and Tobago
DK	Denmark	MG	Madagascar	UA	Ukraine
ES	Spain	ML	Mali	US	United States of America
FI	Finland	MN	Mongolia	UZ	Uzbekistan
FR	France			VN	Viet Nam
GA	Gabon				

INTERNATIONAL SEARCH REPORT

International application No.
PCT/US94/08515

A. CLASSIFICATION OF SUBJECT MATTER

IPC(6) : A01N 1/02; A61B 5/00; A61M 25/00
US CL : 128/772; 427/2, 535, 536; 604/281

According to International Patent Classification (IPC) or to both national classification and IPC

B. FIELDS SEARCHED

Minimum documentation searched (classification system followed by classification symbols)

U.S. : 128/656-658, 772; 204/164; 427/2, 488, 491, 533-536, 569, 570, 576; 604/230, 265, 280, 281

Documentation searched other than minimum documentation to the extent that such documents are included in the fields searched
NONE

Electronic data base consulted during the international search (name of data base and, where practicable, search terms used)
APS

C. DOCUMENTS CONSIDERED TO BE RELEVANT

Category*	Citation of document, with indication, where appropriate, of the relevant passages	Relevant to claim No.
X ---, P Y	US, A, 5,272,012, (OPOLSKI), 21 December 1993. See entire document.	1, 4-7, 15-19, 21, 24, 25 ----- 2, 3, 8, 20, 22, 23, 26
Y	US, A, 4,934,380, (DE TOLEDO), 19 June 1990. See entire document.	2, 3, 22, 23
Y	US, A, 5,190,529, (MCCRORY ET AL.), 02 March 1993. See entire document.	8, 20, 26
X	US, A, 4,979,959, (GUIRE), 25 December 1990. See entire document.	9-14

Further documents are listed in the continuation of Box C. See patent family annex.

<p>* Special categories of cited documents:</p> <p>*A* document defining the general state of the art which is not considered to be part of particular relevance</p> <p>*E* earlier document published on or after the international filing date</p> <p>*L* document which may throw doubts on priority claim(s) or which is cited to establish the publication date of another citation or other special reason (as specified)</p> <p>*O* document referring to an oral disclosure, use, exhibition or other means</p> <p>*P* document published prior to the international filing date but later than the priority date claimed</p>	<p>*T* later document published after the international filing date or priority date and not in conflict with the application but cited to understand the principle or theory underlying the invention</p> <p>*X* document of particular relevance; the claimed invention cannot be considered novel or cannot be considered to involve an inventive step when the document is taken alone</p> <p>*Y* document of particular relevance; the claimed invention cannot be considered to involve an inventive step when the document is combined with one or more other such documents, such combination being obvious to a person skilled in the art</p> <p>*Z* document member of the same patent family</p>
---	---

Date of the actual completion of the international search
19 JANUARY 1995

Date of mailing of the international search report
JAN 25 1995

Name and mailing address of the ISA/US
Commissioner of Patents and Trademarks
Box PCT
Washington, D.C. 20231

Authorized officer: *Andee Robinson*
RONALD K. STRIGHT, JR.

Facsimile No. (703) 305-3230

Telephone No. (703) 308-2113