



US00D962129S

(12) **United States Design Patent**  
**Delatorre et al.**

(10) **Patent No.:** **US D962,129 S**

(45) **Date of Patent:** **\*\* Aug. 30, 2022**

(54) **WALKER**

FOREIGN PATENT DOCUMENTS

(71) Applicants: **Adilson Delatorre**, East Walpole, MA (US); **Qingfeng Li**, Foshan (CN)

AU 2020365106 A1 \* 7/2021  
CN 107661195 A \* 2/2018

(Continued)

(72) Inventors: **Adilson Delatorre**, East Walpole, MA (US); **Qingfeng Li**, Foshan (CN)

OTHER PUBLICATIONS

(\*\*) Term: **15 Years**

OasisSpace Rollator Walker, Published Aug. 19, 2019 [online], [retrieved on Sep. 25, 2021]. Retrieved from the Internet: [https://www.amazon.com/OasisSpace-Heavy-Duty-Rollator-Walker/dp/B07WNH3P6X/ref=sr\\_1\\_2?dchild=1&keywords=B07WNH3P6X&qid=1632610180&sr=8-2](https://www.amazon.com/OasisSpace-Heavy-Duty-Rollator-Walker/dp/B07WNH3P6X/ref=sr_1_2?dchild=1&keywords=B07WNH3P6X&qid=1632610180&sr=8-2) (Year: 2019).\*

(21) Appl. No.: **29/652,264**

(22) Filed: **Jun. 30, 2020**

(51) **LOC (13) Cl.** ..... **12-12**

(52) **U.S. Cl.**

USPC ..... **D12/130**

(58) **Field of Classification Search**

USPC ..... D12/128, 129, 130, 131, 132, 133

CPC ..... A61H 3/00; A61H 3/04; A61H 2003/001;

A61H 2003/002; A61H 2003/003; A61H

2003/004; A61H 2003/005; A61H

2003/006; A61H 2003/007; A61H

2003/043; A61H 2003/046

See application file for complete search history.

*Primary Examiner* — Cary M Robinson

*Assistant Examiner* — Adam C Mager

(74) *Attorney, Agent, or Firm* — Dunlap Bennett & Ludwig, PLLC

(57) **CLAIM**

The ornamental design for a walker, as shown and described.

(56) **References Cited**

**DESCRIPTION**

U.S. PATENT DOCUMENTS

D360,174	S *	7/1995	Kjell	.....	D12/128
D367,833	S *	3/1996	Ahlbertz	.....	D12/128
6,338,355	B1 *	1/2002	Cheng	.....	A61H 3/04
					135/67
6,378,883	B1 *	4/2002	Epstein	.....	A61G 5/04
					180/6.5
D503,909	S *	4/2005	Tolfsen	.....	D12/130
8,851,502	B2 *	10/2014	Gaudiano	.....	A61H 3/04
					280/647
D736,121	S *	8/2015	Wang	.....	D12/130
D739,314	S *	9/2015	Wang	.....	D12/130
D754,568	S *	4/2016	Wang	.....	D12/130
9,314,395	B1 *	4/2016	VanAusdall	.....	B62B 5/0438
D766,139	S *	9/2016	Chen	.....	D12/130
D814,363	S *	4/2018	VanAusdall	.....	D12/130
10,292,893	B2 *	5/2019	VanAusdall	.....	B62B 3/02

(Continued)

FIG. 1 is a perspective view of a walker, showing our new design;

FIG. 2 is a front elevation view thereof;

FIG. 3 is a rear elevation view thereof;

FIG. 4 is a left side elevation view thereof;

FIG. 5 is a right side elevation view thereof;

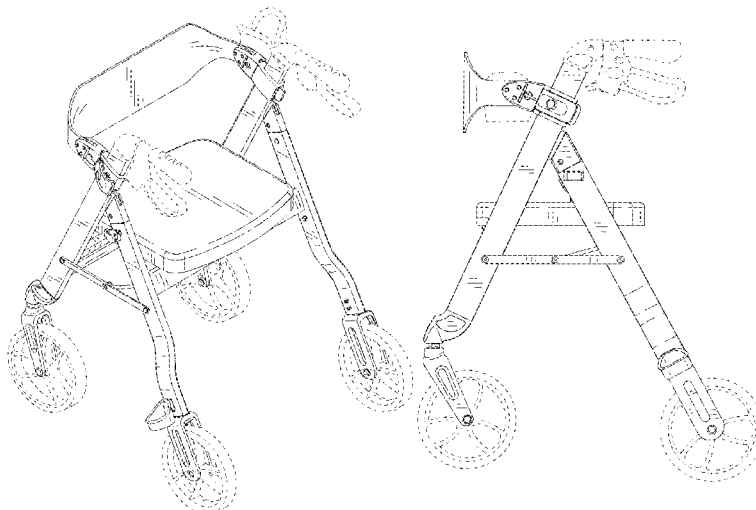
FIG. 6 is a top plan view thereof;

FIG. 7 is a bottom plan view thereof; and,

FIG. 8 is a perspective view of the walker, shown in use.

The broken lines showing a container along the underside of the walker in FIG. 8 depicts environmental subject matter that forms no part of the claimed design, while the remaining broken lines shown in the drawings depict portions of the walker that form no part of the claimed design.

**1 Claim, 7 Drawing Sheets**



(56)

**References Cited**

## U.S. PATENT DOCUMENTS

D857,561 S \* 8/2019 Berman ..... D12/130  
D858,366 S \* 9/2019 VanAusdall ..... D12/130  
10,675,207 B2 \* 6/2020 VanAusdall ..... B62B 5/0438  
D897,243 S \* 9/2020 Tsai ..... D12/130  
D908,550 S \* 1/2021 Berman ..... D12/130  
2012/0223509 A1 \* 9/2012 Gaudiano ..... A61H 3/04  
280/647  
2017/0352288 A1 \* 12/2017 Weffers-Albu ..... A61H 3/04

## FOREIGN PATENT DOCUMENTS

CN 110013425 A \* 7/2019  
CN 210785280 U \* 6/2020  
CN 210872834 U \* 6/2020  
CN 211382545 U \* 9/2020  
CN 212973482 U \* 4/2021  
DE 202016105006 U1 \* 9/2016 ..... A61H 3/04  
KR 20200004147 A \* 1/2020  
WO WO-2016096525 A1 \* 6/2016 ..... G09B 19/003  
WO WO-2017079022 A1 \* 5/2017 ..... A61H 3/04  
WO WO-2021119723 A1 \* 6/2021 ..... A61H 1/00

\* cited by examiner

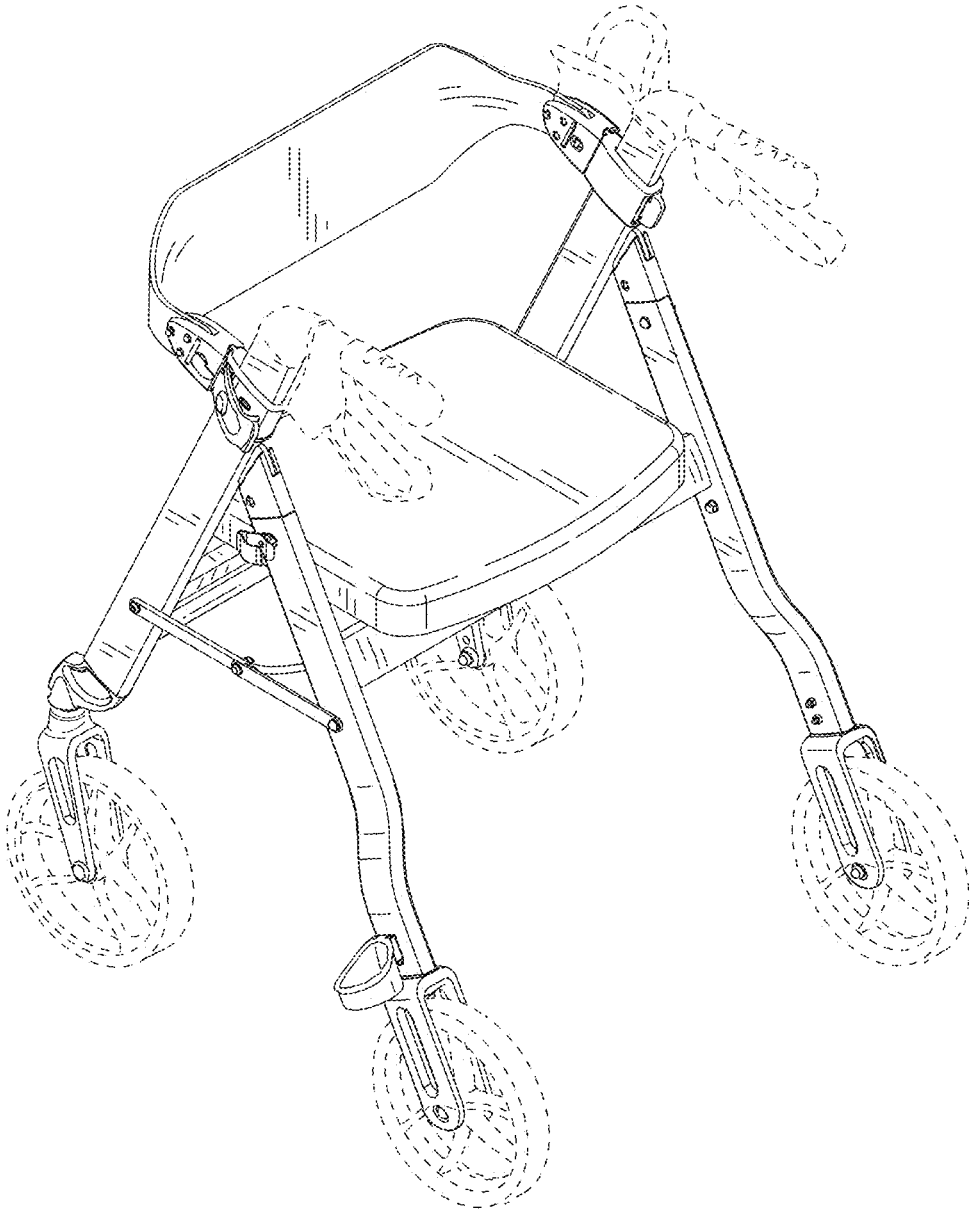


FIG. 1

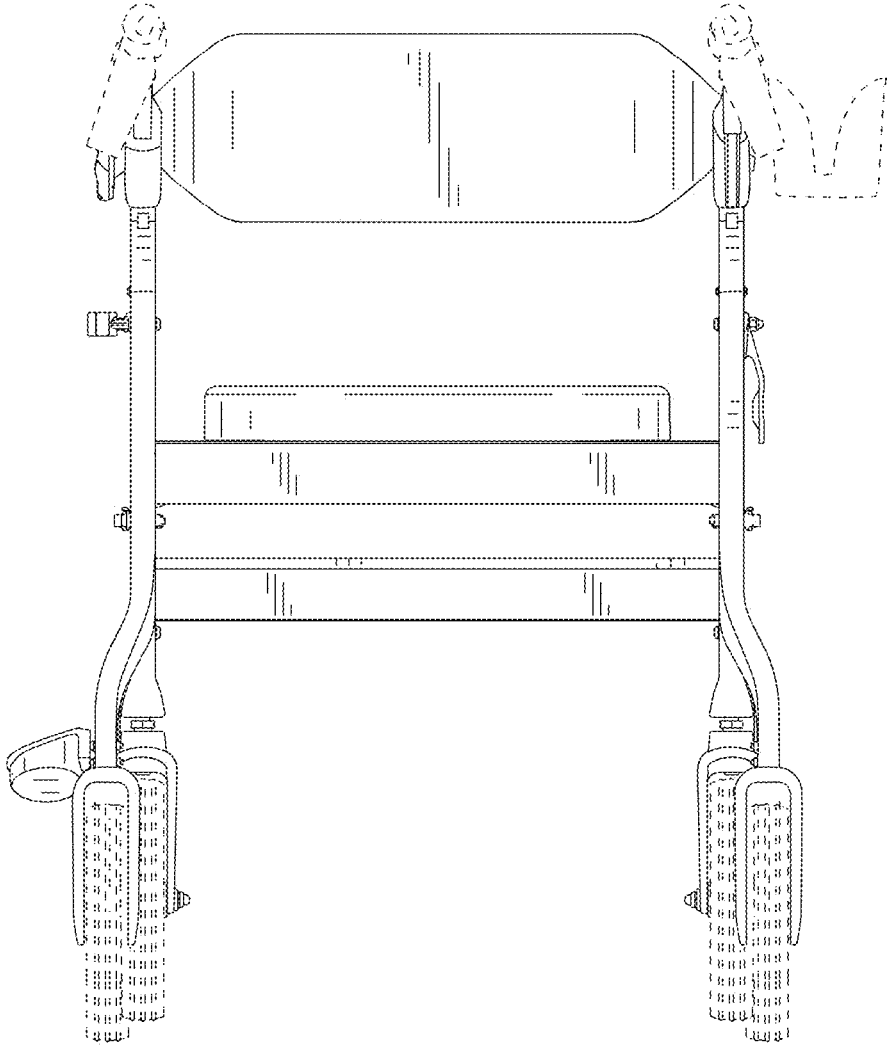


FIG. 2

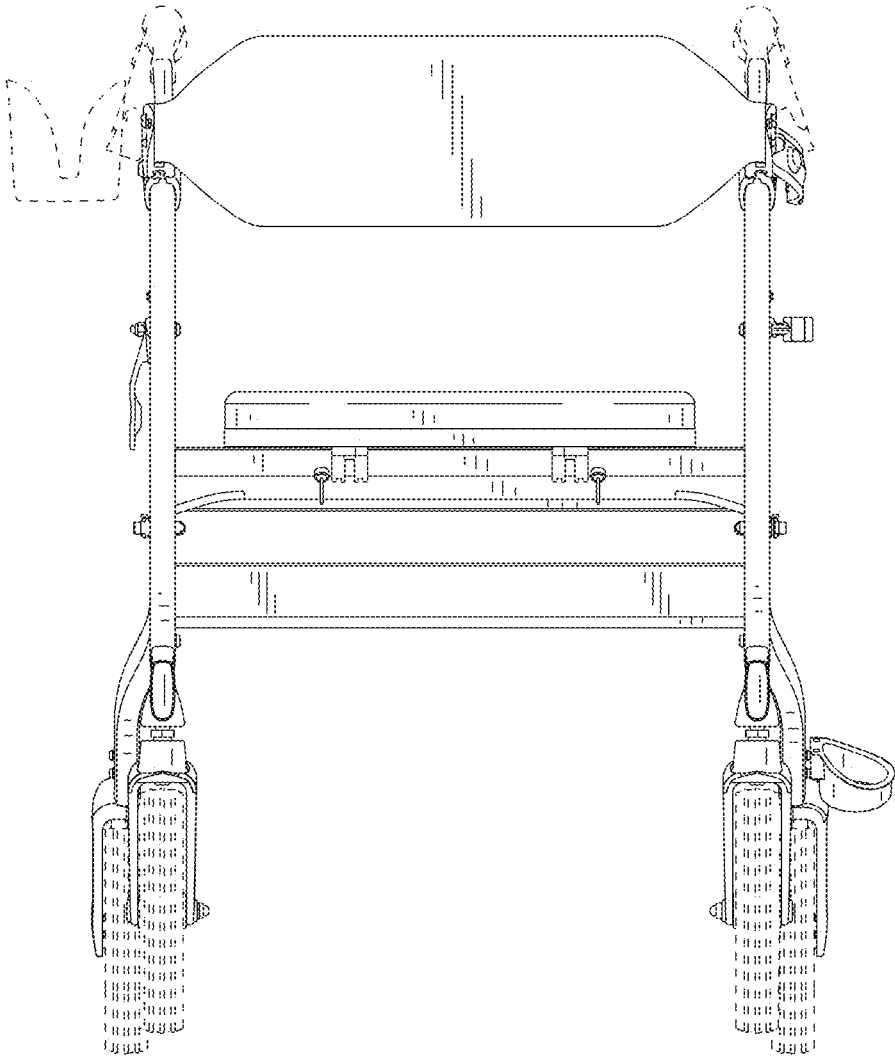


FIG. 3

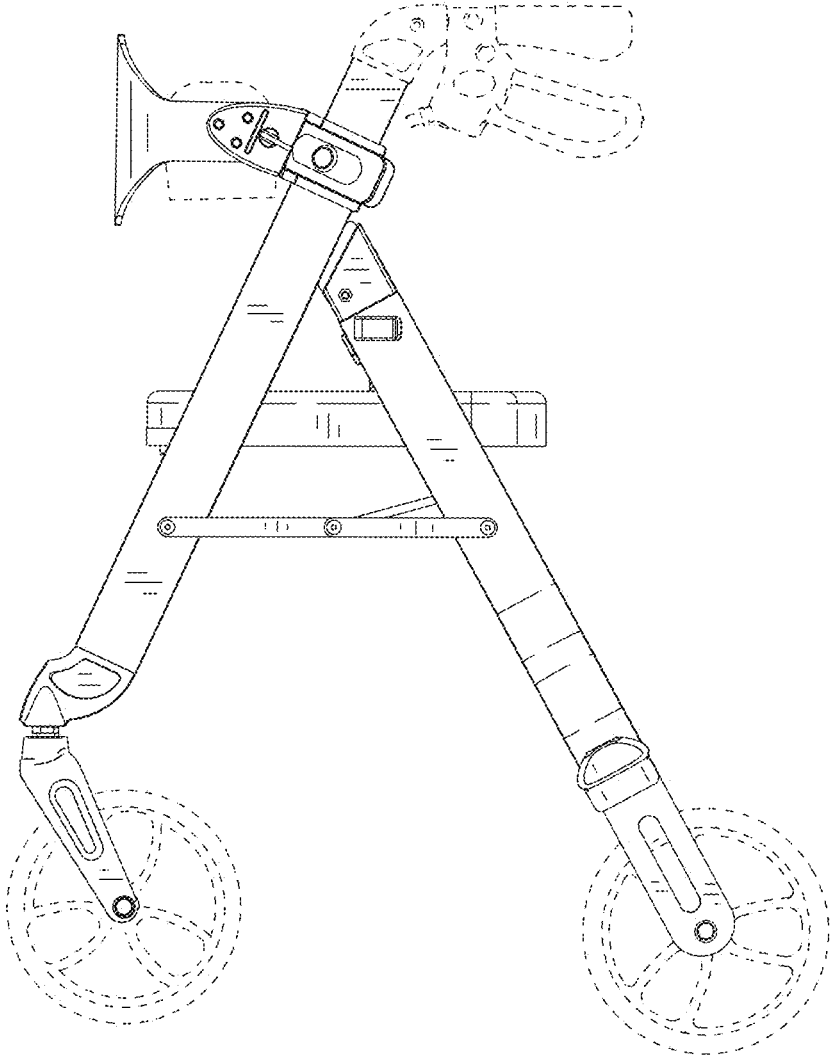


FIG. 4

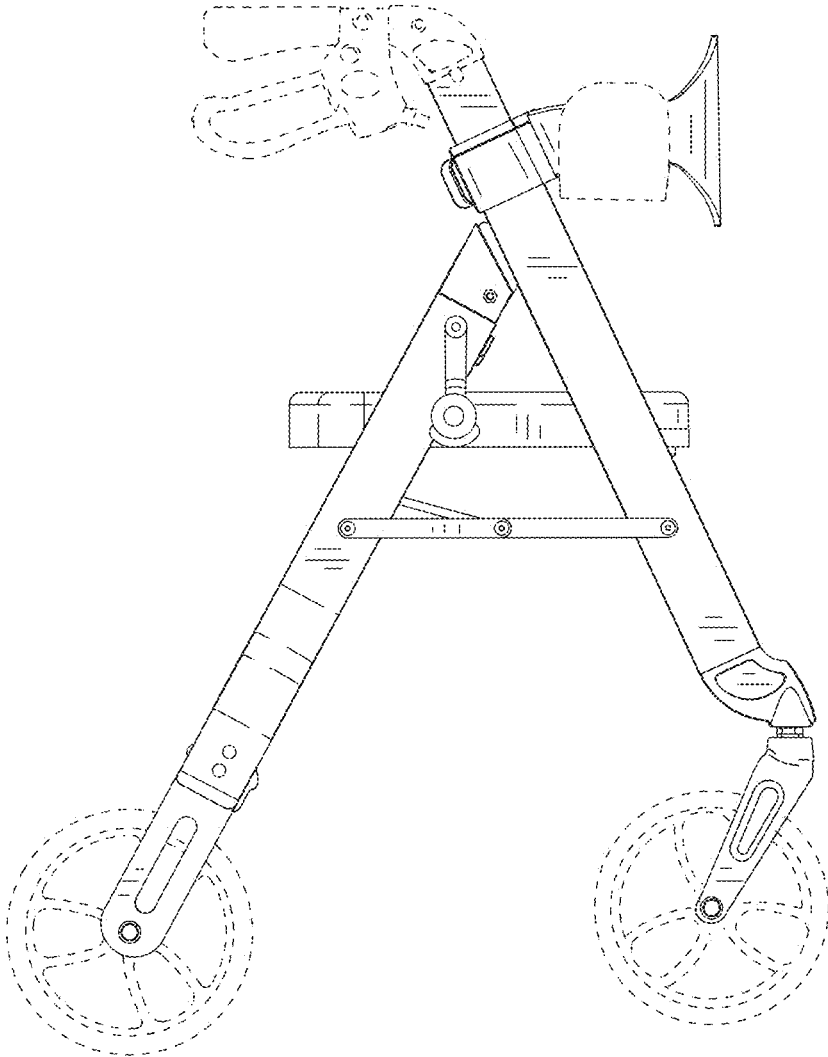


FIG. 5

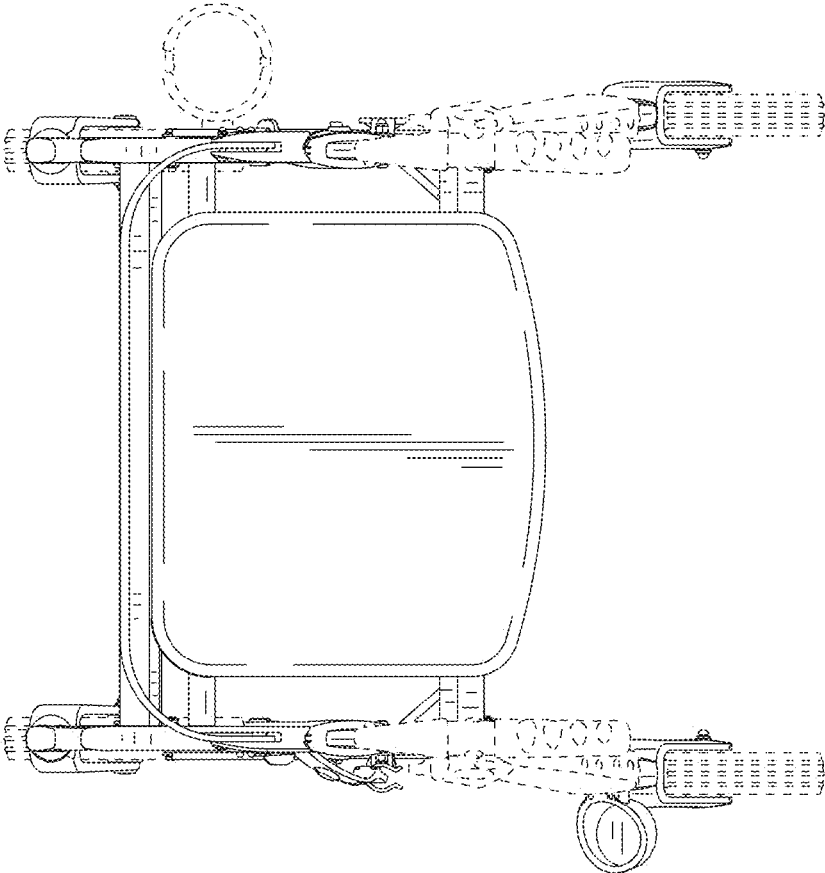
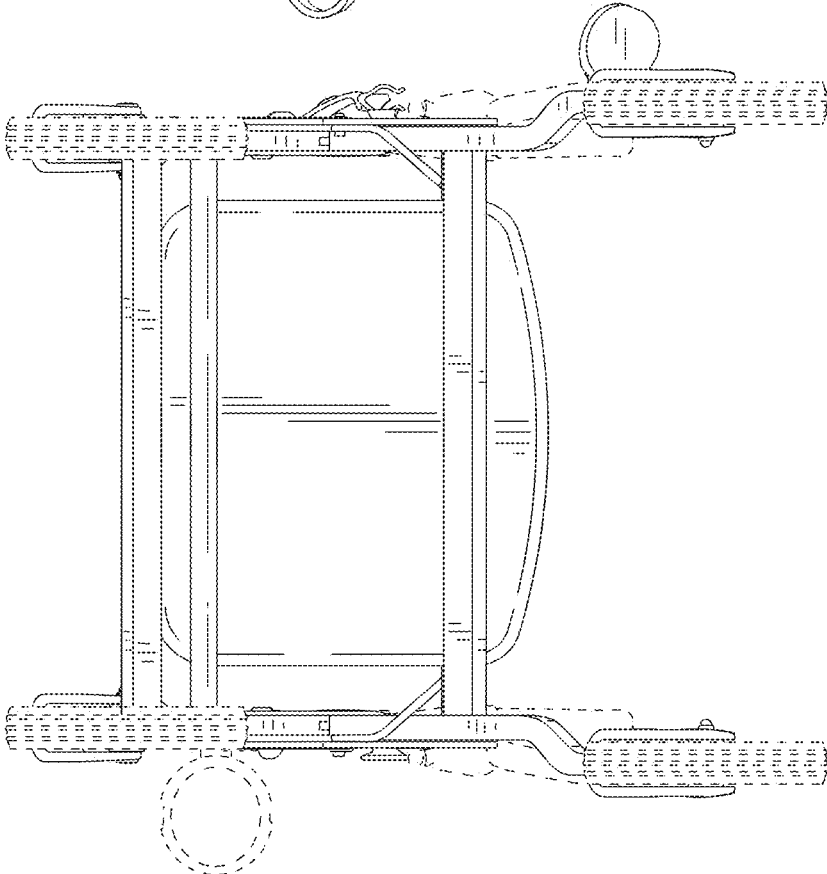


FIG. 6

FIG. 7



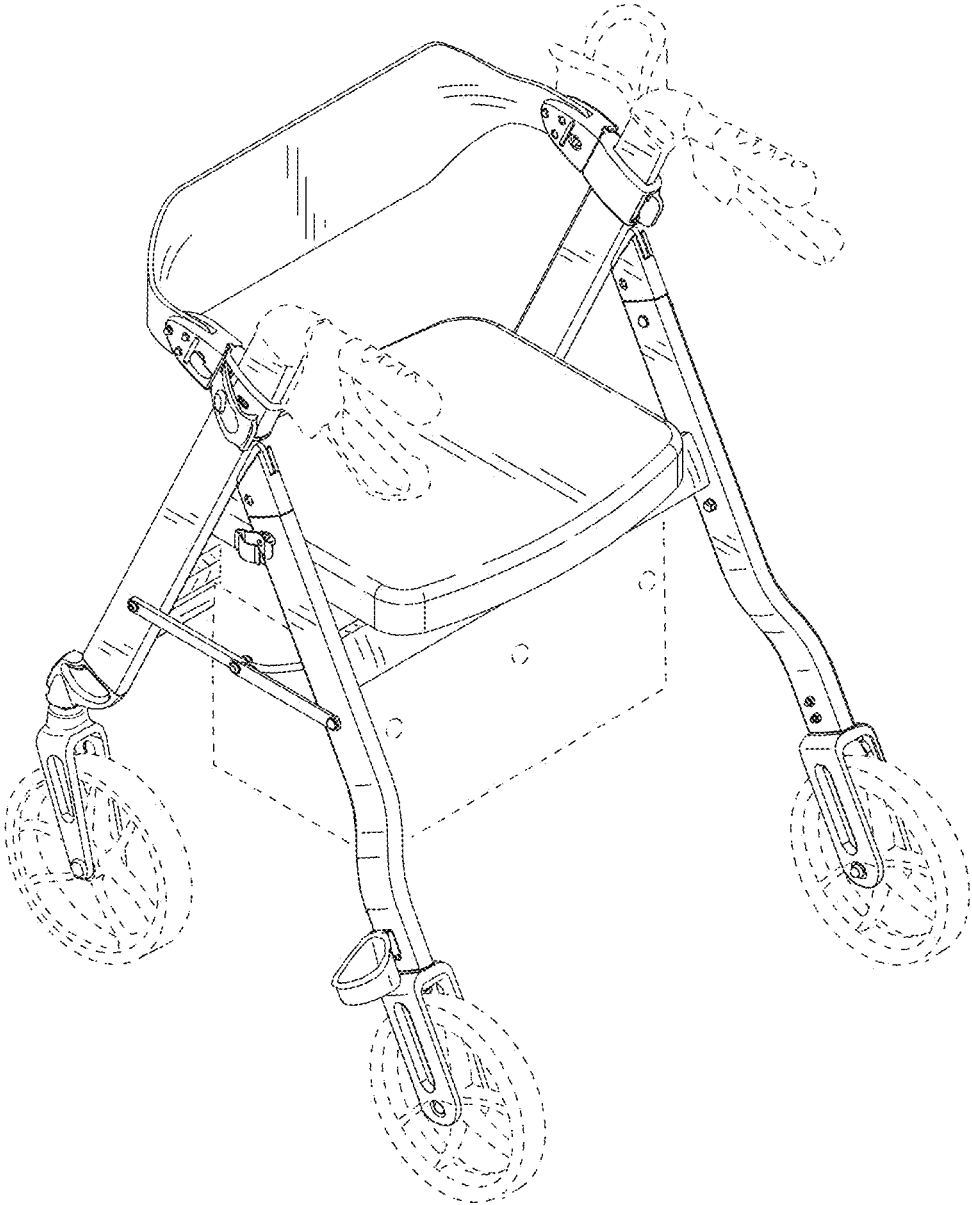


FIG. 8