



(22) Date de dépôt/Filing Date: 2008/08/27
(41) Mise à la disp. pub./Open to Public Insp.: 2009/02/28
(30) Priorité/Priority: 2007/08/29 (US60/968,613)

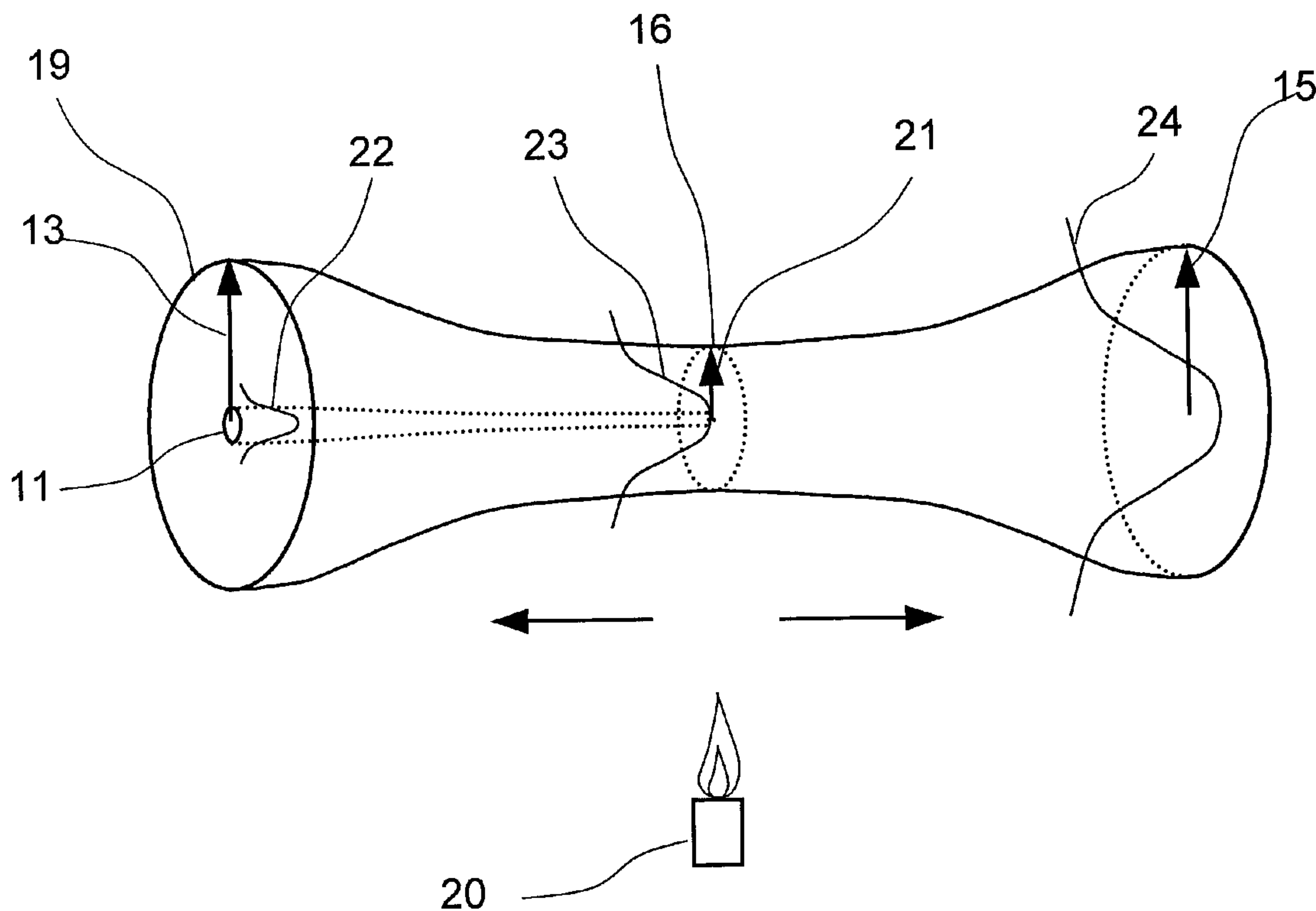
(51) Cl.Int./Int.Cl. *G02B 6/24* (2006.01),
G02B 6/02 (2006.01), *G02B 6/255* (2006.01)

(71) Demandeur/Applicant:
HER MAJESTY THE QUEEN IN RIGHT OF CANADA,
AS REPRESENTED BY THE MINISTER OF
INDUSTRY THROUGH THE COMMUNICATION
RESEARCH CENTRE CANADA, CA

(72) Inventeur/Inventor:
MIHAILOV, STEPHEN J., CA

(74) Agent: TEITELBAUM & MACLEAN

(54) Titre : EXTENSEUR DE CHAMP EN MODE FONDAMENTAL A FIBRES OPTIQUES
(54) Title: OPTICAL FIBER FUNDAMENTAL MODE FIELD EXPANDER



(57) **Abrégé/Abstract:**

A device for providing an expanded mode field from a single mode optical waveguide is formed by fusing a length of single mode optical fiber with a length of fiber rod absent a cladding and adiabatically tapering the fused region. The length of single mode fiber has a core having a refractive index n_{co} and a cladding having a refractive index n_{cl} , wherein $n_{cl} < n_{co}$, and wherein the cladding has an outer diameter ρ . The length of fiber rod absent the cladding has a refractive index of the fiber rod is substantially the same as the cladding index n_{cl} of the single mode optical fiber. The outer diameter of the length of fiber rod is ρ , the same as the cladding diameter of the single mode fiber.

Abstract of the Disclosure

A device for providing an expanded mode field from a single mode optical waveguide is formed by fusing a length of single mode optical fiber with a length of fiber rod absent a cladding and
5 adiabatically tapering the fused region. The length of single mode fiber has a core having a refractive index n_{co} and a cladding having a refractive index n_{cl} , wherein $n_{cl} < n_{co}$ and wherein the cladding has an outer diameter ρ . The length of fiber rod absent the cladding has a refractive index of the fiber rod is substantially the same as the cladding index n_{cl} of the single mode
optical fiber. The outer diameter of the length of fiber rod is ρ , the same as the cladding diameter
10 of the single mode fiber.

Optical Fiber Fundamental Mode Field Expander

5 Cross-Reference To Related Applications

[001] The present invention claims priority from U.S. Provisional Patent Application No. 60/968,613 filed August 29, 2007, which is incorporated herein by reference.

10 Field of the Invention

[002] The present invention relates to a device for expanding the fundamental mode field of a single mode waveguide into a large numerical aperture, large diameter, air-guided multimode waveguide. This device can be used to excite the fundamental mode of large numerical aperture and diameter matched waveguides.

15 Background of the Invention

[003] There are several applications where the exclusive excitation of the fundamental mode of a multimode waveguide structure is advantageous. For some fiber Bragg grating (FBG) sensor applications, refractive index modulated distributed Bragg gratings are fabricated in multimode
20 waveguides, for example in sapphire fiber rods as disclosed by Grobncic et al in *IEEE Photon. Technol. Lett.* **16** (11), p. 2505-2507 (2004) incorporated herein by reference. It is desirable to obtain a single mode response in the reflection spectrum rather than a multimode response, as the spectral bandwidth of the single mode response is narrower. An improved signal to noise ratio results when only one mode is being inspected rather than the superposition of hundreds if not
25 thousands of modes that can be supported by the multimode fiber.

[004] As well, expanding the mode field diameter (MFD) of a single-mode fiber (SMF) has many advantages in terms of reducing the local power density while increasing the effective free-space collimation distance (or 'Rayleigh range'). Reducing the local power density allows for the transmission of higher power densities between optical components while reducing the
30 possibility of fiber damage at coupling points. The capability of reducing local power densities at coupling points is important for multi-component fiber optic systems.

[005] For high-powered fiber lasers that produce in excess of 1 kW average power, large mode area (LMA) fibers are required so that the optical intensities achieved are below the damage threshold of the material. As LMA fibers are multimode waveguide structures, it is desirable to have light propagate in the fundamental mode of the waveguide in order to produce high quality diffraction limited beam output. This is typically achieved by using LMA fibers that support the propagation of only a few modes wherein excitation of higher order modes is suppressed.

[006] Several technologies for expanding the fundamental mode field of a single-mode optical fiber have been developed: for example the coupling of microlenses such as graded-index fiber lenses (GRIN) as disclosed by Emkey et al. in *J. Lightwave Technol.* **5**, pp. 1156–1164 (1987) incorporated herein by reference; diffusion of core dopants, also known as Thermally Expanded Core (TEC) techniques as disclosed by Hanafusa et al. in *Electron. Lett.* **27** (21), p. 1968-1969 (1991) incorporated herein by reference; residual elastic stress based approaches as taught by DiGiovanni et al in US Patent 6,768,849; ‘free-space’ beam expansion via SMF coupling to cladding matched materials as taught by Duck et al in US Patent Application 200310103724 A1; and by physical tapering of SMFs as disclosed by Jedrzejewski et al. in *Electron. Lett.* **22** (2), pp. 105–106 (1986) and Amitay et al in US Patent 4,737,004.

[007] These prior art single mode expansion techniques provide a useful function, however they are known to suffer from some limitations depending upon their application. Mode expansion techniques that require the inclusion of a microlens to collimate the expanded beam, as described by Emkey or Duck, need to have stable and critical alignment in order to reduce coupling losses of the expander. In the case of GRIN lenses, precise lens lengths are also required to obtain the correct focal length that expands the fundamental mode field of a SMF. The optical characteristics of GRIN lenses are extremely sensitive to their length so fabricating connectors from GRIN lens beam expanders requires careful control of the fiber position in the ferrule. Diffusion of the core dopants has been shown to expand the size of the fundamental mode of SMF but requires extremely high temperatures and very long processing times. Such high temperature processing can weaken the fiber or distort its shape.

[008] Mode field expansion through tapering of SMF, as disclosed by Jedrzejewski and Amitay, eliminates the need for lenses. For step index fibers the normalized frequency or V number is given by:

$$V = \frac{2\pi r}{\lambda} \sqrt{(n_{co}^2 - n_{cl}^2)} \quad (1)$$

5 [009] where r is the core radius, λ is the wavelength and n_{co} and n_{cl} are the refractive indices of the core and cladding respectively. For single mode operation, $V \leq 2.405$. When a fiber is tapered, by using the hydrogen flame brushing technique for example (see Bilodeau et al US Patent 4,895,423 incorporated herein by reference) the ratio of cladding/core radii remains constant however V decreases. As disclosed in Love et al *IEE Proceedings Journal* vol. 138, no.
10 5, p.343-354 (1991), incorporated herein by reference, when single mode optical fiber is tapered down such that the normalized frequency or V number of the taper is $V < 0.84$, the fundamental LP_{01} mode is no longer confined to the core but instead is guided by the cladding-air interface resulting in a mode field with the same diameter as the tapered fiber.

[0010] In order to minimize coupling of the fundamental mode into higher modes within the
15 taper, the tapering rate along the length of the fiber must be adiabatic. If z is the distance along the taper and ρ is the local taper radius then the adiabatic condition can be written as:

$$\left| \frac{d\rho}{dz} \right| \leq \frac{\rho}{z_b} \quad z_b = \frac{2\pi}{(\beta_1 - \beta_2)} \quad (2)$$

[0011] where z_b is a 'beat length', β_1 is the propagation constant of the fundamental LP_{01} mode and β_2 is the propagation constant for the LP_{02} , which is the closest and most likely mode to
20 which coupling will occur. There are limitations to the amount of mode field expansion that is possible by 'down' tapering existing commercially available SMF, typically a factor of 5 to 10.

[0012] Considering sensors in fiber rod waveguides such as sapphire fiber, (for example fiber Bragg gratings, Fabry-Perot based sensors), in order to maximize the coupling of the fundamental mode (LP_{01}) from the beam expander to the sapphire rod, it is necessary to expand
25 the mode field such that the difference in the ultimate fundamental MFDs of the expander and the sapphire fiber rod are minimized. As well, the numerical aperture (NA) and the outer diameter of the expander should be closely matched to the rod waveguide in order to achieve

efficient coupling of the LP_{01} mode of the expander to the LP_{01} mode supported by sapphire rod. The Gaussian shaped mode field launched by the expander that is used to excite the fundamental mode of the rod waveguide, must be large enough that the edges of the mode field extend to and are guided by the core-air interface of the sapphire rod. Launching with an expanded mode field with a MFD that is much smaller than the LP_{01} mode supported by the rod waveguide, will result in divergence of the mode field inside the fiber rod until it reaches the core-air interface of the rod resulting in coupling of the fundamental mode into higher order modes within the rod waveguide. As the narrowest standard sapphire optical fiber rods are typically 125-150 μm in diameter, down tapering alone cannot sufficiently expand the mode field from a single mode fiber.

[0013] High factors of mode field expansion are possible when a fiber is 'up' tapered as taught by Amitay et al in US Patent 4,737,004. Although this prior art single mode expansion techniques provide a useful function by facilitating expansion of the fundamental single mode of the fiber to arbitrarily large mode fields, it is not easily manufactured from commercially available fibers. These expanders are made by maintaining some of the remaining tapered section of single mode fibers that are drawn from fiber performs through preferential cleaving along the length of the fiber as it is being drawn. As such it is not ideally suited for mass production. As a cladding is present on the fiber 'up' taper, as taught by Amitay in US Patent '004', the numerical aperture (NA) of the expander is similar to that of single mode fiber, which is typically ~ 0.1 .

[0014] For optimal bi-directional coupling, the numerical aperture (NA) of the LP_{01} mode of the expander and the NA of the LP_{01} mode of the target waveguide into which the fundamental mode is launched, need to be substantially matched in order to avoid excess coupling loss. For FBG sensors, the beam expansion technique needs to be bi-directional, meaning that as the fundamental mode exiting the SMF is subsequently expanded, similarly a large MFD fundamental mode received by the expander must be coupled into the single mode fiber of the expander when the mode field is propagating in the opposite direction. The NA of sapphire rod fibers is >1 . It is likely then that a large MFD signal collected by an 'up' taper as taught by Amitay, would result in large amounts of excess loss due to NA mismatch.

[0015] It is an objective of this invention to overcome the aforementioned limitations within the prior art systems for fabrication of mode field expanders that are compatible with high NA fiber rods absent a cladding.

5 Summary of the Invention

[0016] An apparatus for producing an expanded mode field from a single mode optical waveguide comprising:

10 a length of single mode fiber having at least one core and a cladding with the cladding material having a lower refractive index n_{cl} than the core index n_{co} , and cladding diameter ρ ;

a length of fiber rod absent a core which possesses a refractive index the same as the cladding index n_{cl} and an outer diameter ρ the same as the cladding diameter of the aforementioned single mode fiber;

a fusion splice of the single mode fiber and fiber rod;

15 adiabatic tapering of the aforementioned spliced single mode fiber and fiber rod.

[0017] In accordance with the invention there is further provided, a device for providing an expanded mode field from a single mode optical waveguide, comprising:

20 a length of single mode fiber having at least a core having a refractive index n_{co} and a cladding having a refractive index n_{cl} , wherein $n_{cl} < n_{co}$ and wherein the cladding has an outer diameter ρ ;

a length of fiber rod absent at cladding wherein the refractive index of the fiber rod is same as the cladding index n_{cl} of the single mode optical fiber, wherein the outer diameter of the length of fiber rod is ρ , the same as the cladding diameter of the single mode fiber;

25 wherein an end of the length of single mode fiber and an end of the length of rod are fused together forming a fusion splice; and,

wherein a region including the fusion splice and a portion of the fiber rod and a portion of the single mode fiber about the fusion splice are adiabatically tapered.

[0018] In accordance with another aspect of the invention, there is provided a method for exciting the fundamental mode of a multimode fiber rod absent a cladding which consists of adiabatically tapering a fused single mode fiber and fiber rod combination such that the normalized frequency or V number of the single mode fiber portion of the fused single mode fiber/fiber rod combination is $V < 0.5$. The tapered region of the fused single mode fiber and fiber rod combination has a fundamental LP_{01} mode that is guided by the cladding-air interface in the tapered region. Adiabatic up tapering of the fiber rod from the fusion location results in the expansion of the LP_{01} mode without coupling to higher order modes. The expanded mode field exiting the fiber rod portion is then used to predominantly excite the fundamental mode of an external multimode fiber rod absent a cladding. Predominantly is defined here to mean the largest percentage of energy input into the external multimode rod couples into the LP_{01} mode. Other modes may be excited but more energy is in the LP_{01} mode than any single excited mode.

15

Brief Description of Drawings:

[0019] The invention is now described with reference to the drawing in which:

[0020] Fig. 1a is a schematic diagram of the single mode fiber and outer diameter match fiber rod absent a core.

20 [0021] Fig. 1b is a schematic diagram of the arc fusion splicing of the single mode fiber and fiber rod.

[0022] Fig. 1c is a schematic diagram of the tapering of the fused single mode fiber/fiber rod combination and the expansion of the fundamental mode from the single mode fiber

25 [0023] Fig. 2a is a near field measurement of the mode field produced by optical fiber fundamental mode field expander.

[0024] Fig 2b is a 3-dimensional plot of the near field measurement present in Fig. 2a.

[0025] Fig 3a and b is a schematic representation of how the fundamental LP_{01} mode of an external fiber rod absent a cladding can be excited by the optical fiber fundamental mode field expander.

5 Detailed Description of the Invention:

[0026] Referring to Fig. 1a, a single mode fiber **10** has a core **11** with refractive index n_{co} and a cladding **12** with refractive index n_{cl} such that $n_{cl} < n_{co}$. The single mode fiber cladding has a radius **13**, which for standard telecommunication single mode fibers is typically $\rho = 62.5 \mu\text{m}$. For standard telecommunication fibers the cladding material is typically fused silica. The fiber rod **14** is made of the same material as cladding material of the single mode fiber **10**, and the fiber rod radius **15** is the same as the single mode fiber radius **13**. The refractive index of **14** is the same as the single mode fiber cladding **12**, namely n_{cl} . In a preferred embodiment, the single mode fiber **10** is a silica based fiber with a germanium doped core and pure silica cladding such as *Corning SMF-28* which has an outer diameter $2\rho = 125 \mu\text{m}$. The fiber rod **14** is a silica rod absent a core with an outer diameter $2\rho = 125 \mu\text{m}$.

[0027] Shown schematically in Fig. 1b, the two fibers **10** and **14** are fused together at splice location **16** with an electrical arc **17** generated between arc electrodes **18** to make a combined SMF/fiber rod waveguide **19**.

[0028] Referring to Fig. 1c, the combined SMF/fiber rod waveguide **19** was tapered using a fused biconic tapered coupler fabrication jig with a oxy-hydrogen flame **20** as described by Bilodeau et al US Patent 4,895,423. The combined SMF/fiber rod waveguide **19** is then elongated in the flame **20** by moving two translation stages in opposite directions and sweeping the flame along the fiber length. It was found that for optimal beam expansion performance, the fusion splice **16** must be located in the center of the flame sweep length. The combined SMF/fiber rod waveguide **19** is then elongated until the V number single mode fiber portion of the rod waveguide is $V < 0.5$. For *SMF-28* fiber this corresponds to a taper waist radius **21** of $\sim 16 \mu\text{m}$. The rod portion of the SMF/fiber rod taper region has a significantly higher V number. At 1550 nm the V number of the $16 \mu\text{m}$ diameter rod portion of the taper is ~ 70 . Despite the large V number of the rod portion of the taper, the rod portion propagates only the excited single

mode exiting the single mode fiber portion of the taper. The length of the taper must be long enough that the variation in radius with position, $\rho(z)$, is consistent with the adiabatic condition Eq. (2).

[0029] Referring again to Fig. 1 c, the mode field **22** in the un-tapered single mode fiber portion of the combined SMF/fiber rod waveguide **19** is guided within the core **11**. As the fiber is tapered, the ratio of the cladding/core radii remains constant, however V decreases. Love et al. disclosed that the transition of the fundamental LP_{01} mode from a core-cladding guided into a cladding-air guided mode occurs when

$$V < V_{cc} \cong \sqrt{\frac{2}{\ln S}} \left\{ 1 + \frac{0.26}{\ln S} \right\}^{-1/2} \quad (3)$$

10 where S is the ratio of cladding to core radii and V_{cc} is the normalized cutoff frequency. When the V of the tapered region is 0.5, the LP_{01} mode **23** is guided by the cladding-air interface. With an adiabatic 'up' tapering, the LP_{01} mode continues to be cladding-air guided with negligible coupling to higher order modes. At the exit of the taper, the MFD of LP_{01} mode **24** is limited by the initial diameter **15** of the fiber rod. Because of the absence of a cladding at the end of the expander, the numerical aperture of the device $\{NA = (n_{co}^2 - n_{cl}^2)^{1/2}\}$ is > 1 . For retroreflective coupling of a signal from a sapphire rod to a single mode fiber, the NA of the expander should be as substantially matched to that of the beam expander. For sapphire fiber rods absent a cladding, their NA is ~ 1.4 .

[0030] Fig. 2a shows the near field measurement of the mode field exiting the beam expander taken with an infrared IR camera.

[0031] In order to excite the LP_{01} mode of a multimode rod waveguide **31**, such as a sapphire fiber absent a cladding, the arrangement shown in Fig. 3a can be used. The fundamental mode **24** generated by the optical fiber fundamental mode field expander **30**, can be coupled into the waveguide **31**, when the waveguide **31** is placed proximate the expander **30**. In Fig 3b, the fundamental mode **24**, excites the fundamental mode **33** of waveguide **31** when the numerical apertures of the LP_{01} mode **24** and the LP_{01} mode **33** are closely matched and the expander diameter **15** and the multimode rod waveguide diameter **32** are closely matched as well. The

coupling surfaces between the two rod waveguides are refractive index matched with for example, an index matching oil 34.

Claims

What is claimed is:

5 1. A device for providing an expanded mode field from a single mode optical waveguide, comprising:

a length of single mode fiber having a core with a refractive index n_{co} and a cladding with a refractive index n_{cl} , wherein $n_{cl} < n_{co}$ and wherein the cladding has an outer diameter 2ρ ;

10 a length of fiber rod absent a cladding wherein the refractive index of the fiber rod is substantially the same as the cladding index n_{cl} of the single mode optical fiber, wherein the outer diameter of the length of fiber rod is 2ρ , substantially the same as the cladding diameter of the single mode fiber;

wherein an end of the length of single mode fiber and an end of the length of rod are fused together forming a fusion splice; and,

15 wherein a region including the fusion splice and a portion of the fiber rod and a portion of the single mode fiber about the fusion splice are adiabatically tapered.

2. A device for providing an expanded mode field comprising:

20 a multimode fiber rod absent a cladding fused to a single mode fiber having a same outer diameter as the multimode rod, wherein a portion of the fused fiber rod and a portion of the single mode optical fiber are adiabatically tapered such that a normalized frequency or V number of the single mode fiber portion of the fused single mode fiber is less than 0.5.

25 3. A device as defined in claim 2, wherein the single mode fiber has a core and a cladding and wherein refractive index of the cladding is substantially the same as the refractive index of the multimode fiber rod.

4. A device as defined in claim 3 wherein the refractive index of the multimode fiber rod is substantially uniform and unvarying.
- 5 5. A device as defined in claim 4, wherein an un-tapered portion of the multimode rod is the same diameter as an un-tapered portion of the single mode optical fiber.
- 10 6. A device as defined in claim 3 wherein the tapered portion of the fused single mode fiber and the tapered portion of the fiber rod have a fundamental LP_{01} mode that is guided by the cladding-air interface in the tapered region.
- 15 7. A device as defined in claim 6, wherein an end of the fiber rod is coupled to an end of a multi-mode rod absent a cladding, and wherein when light is launched into the single mode fiber, adiabatic up tapering of the fiber rod from the fusion splice location results in the expansion of the LP_{01} mode without coupling to higher order modes and wherein the expanded mode field exiting the fiber rod portion predominantly excites the fundamental mode of the multimode fiber rod.
- 20 8. A device as defined in claim 1, wherein an end of the fiber rod is coupled to an end of a multi-mode rod.
9. A device as defined in claim 8 wherein the multimode rod is a sapphire fiber rod.
- 25 10. A device as defined in claim 8 wherein the multimode rod is a different material than the fiber rod.

11. A device as defined in claim 10 wherein an index matching fluid is disposed between the multimode rod and the fiber rod ends.

5 12 A device as defined in claim 1 wherein un-tapered ends of the single mode fiber and the fiber rod are substantially the same diameter.

Application number / numéro de demande: 264 1193

Figures: 2a

Pages: _____

Unscannable item(s)
received with this application

To inquire if you can order a copy of the unscannable items, please visit the
CIPO WebSite at [HTTP://CIPO.GC.CA](http://CIPO.GC.CA)

Item(s) ne pouvant être balayés

Documents reçus avec cette demande ne pouvant être balayés.

Pour vous renseigner si vous pouvez commander une copie des items ne
pouvant être balayés, veuillez visiter le site web de l'OPIC au [HTTP://CIPO.GC.CA](http://CIPO.GC.CA)

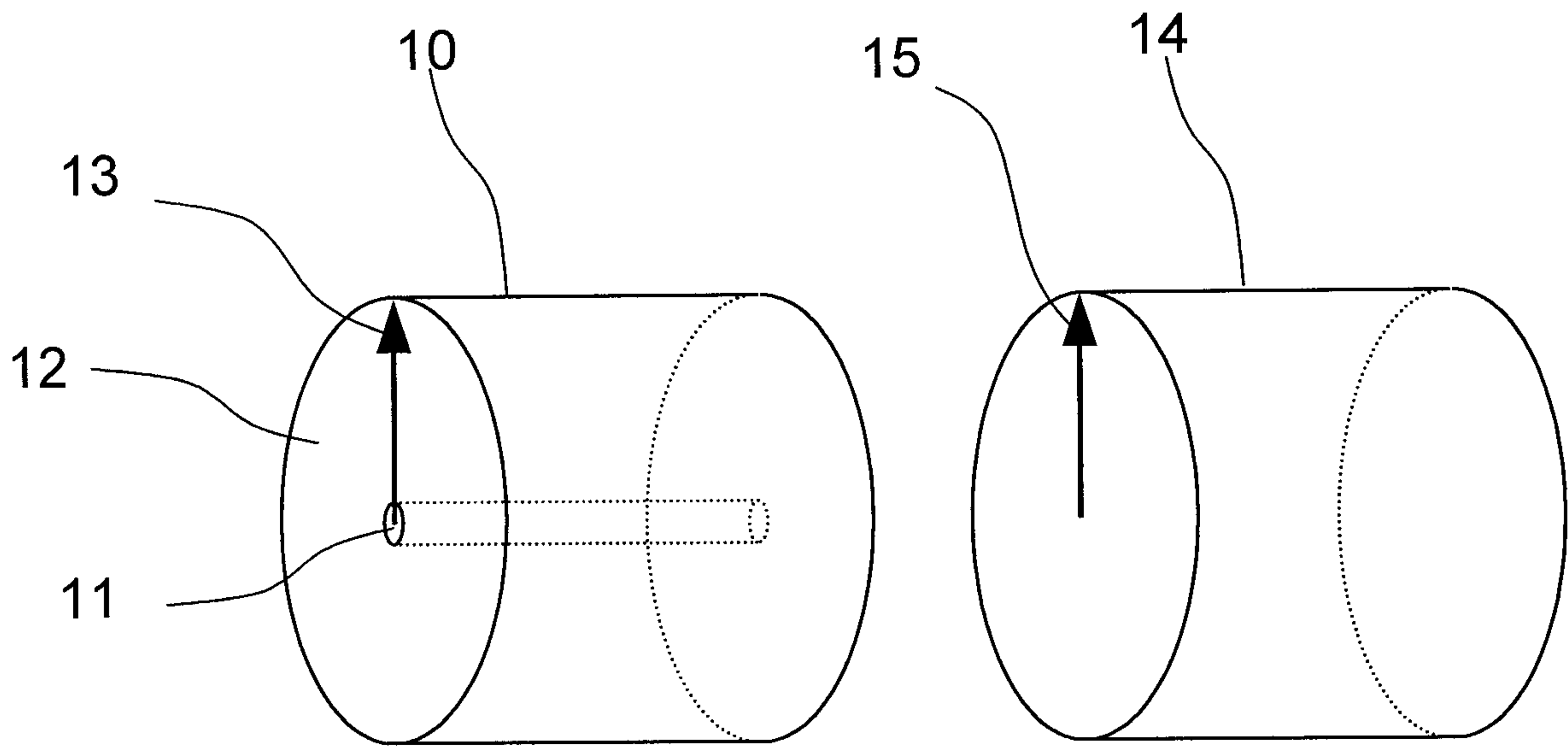


Fig. 1a

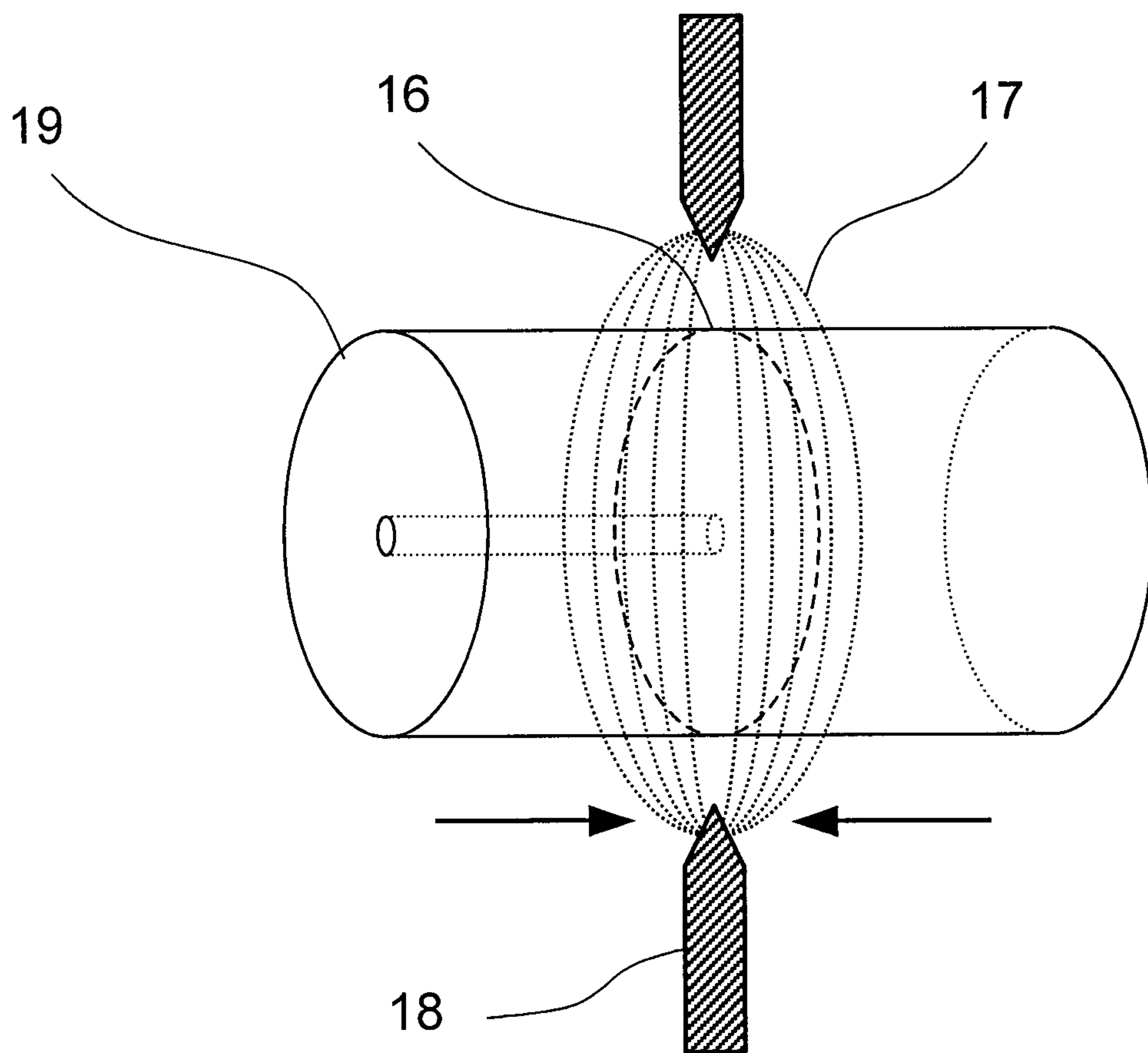


Fig. 1b

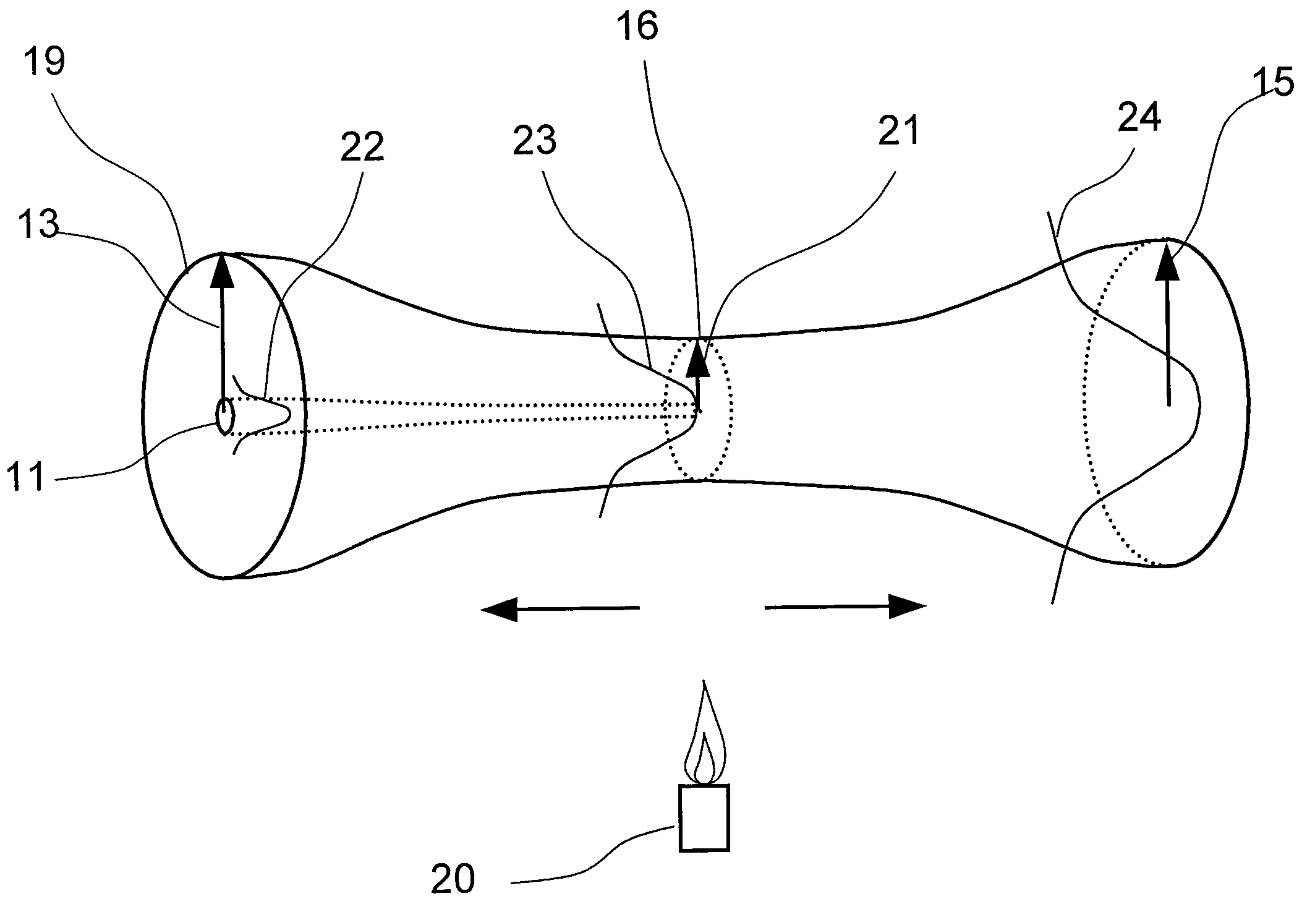


Fig. 1c

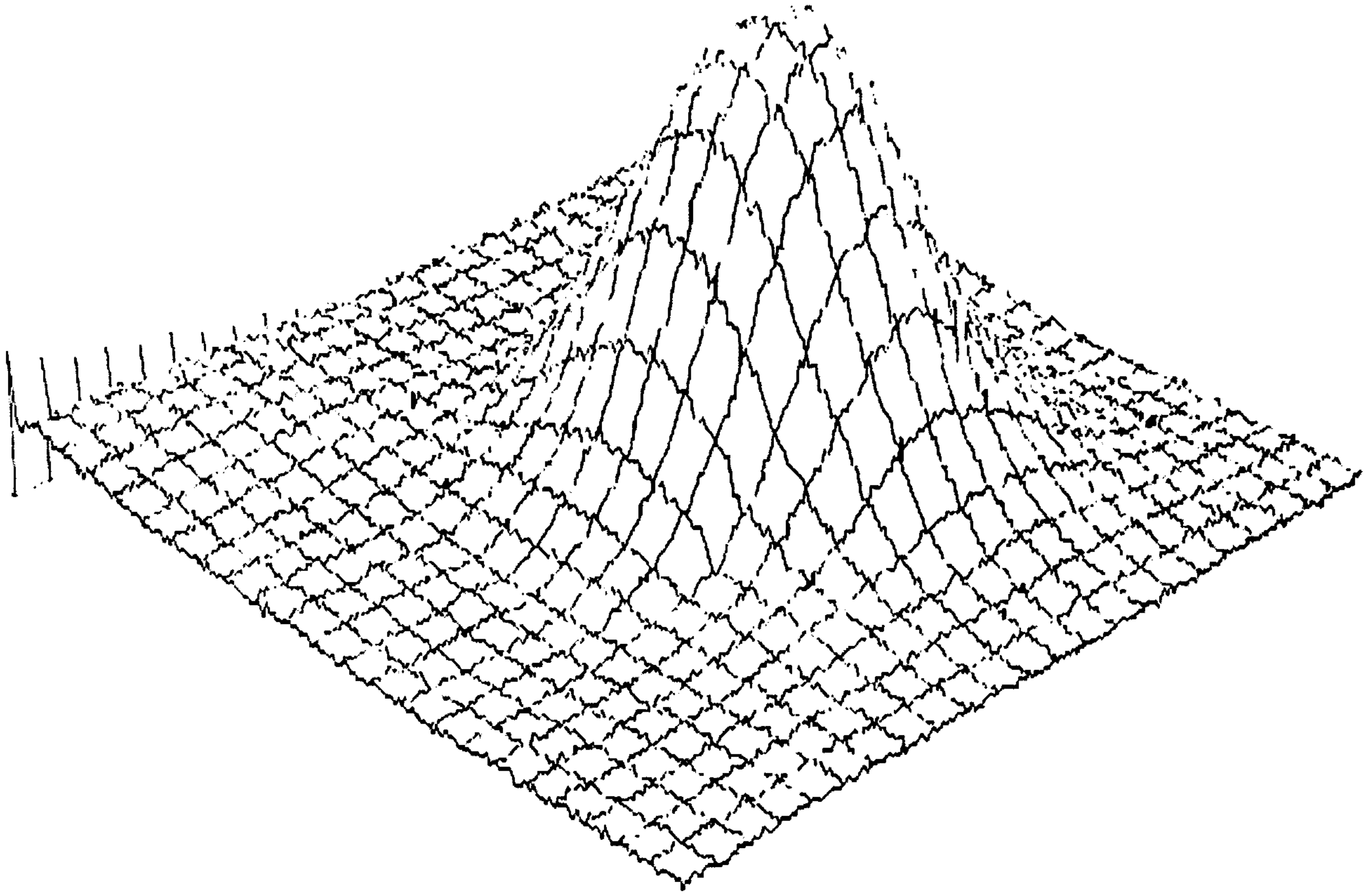


Fig. 2b

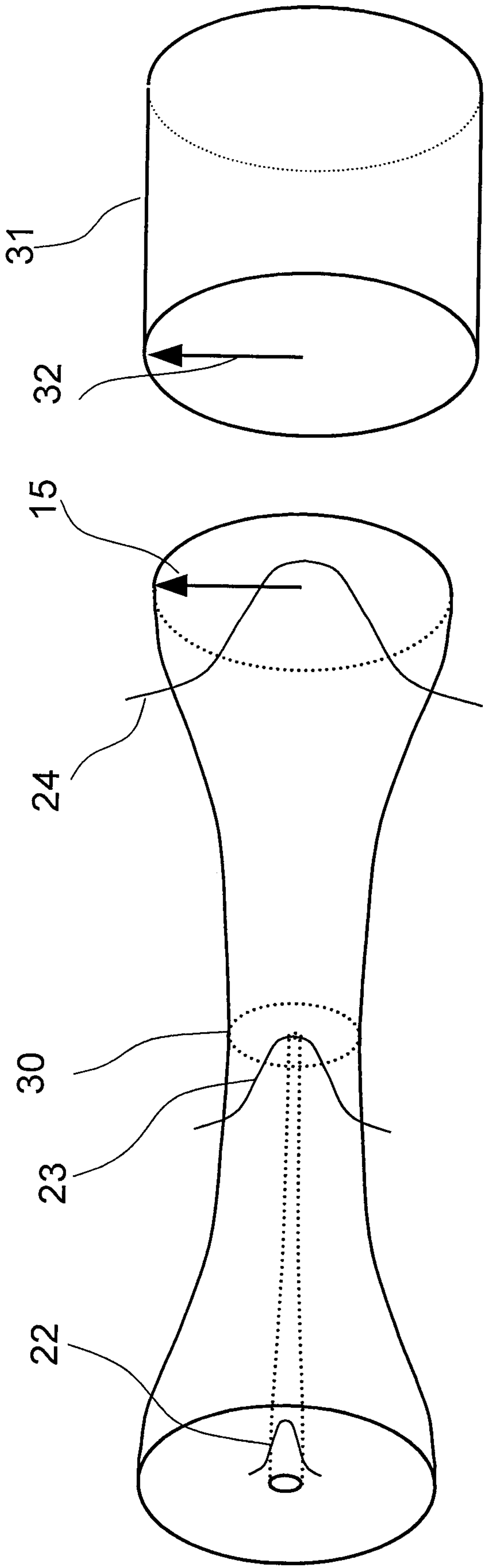


Fig. 3a

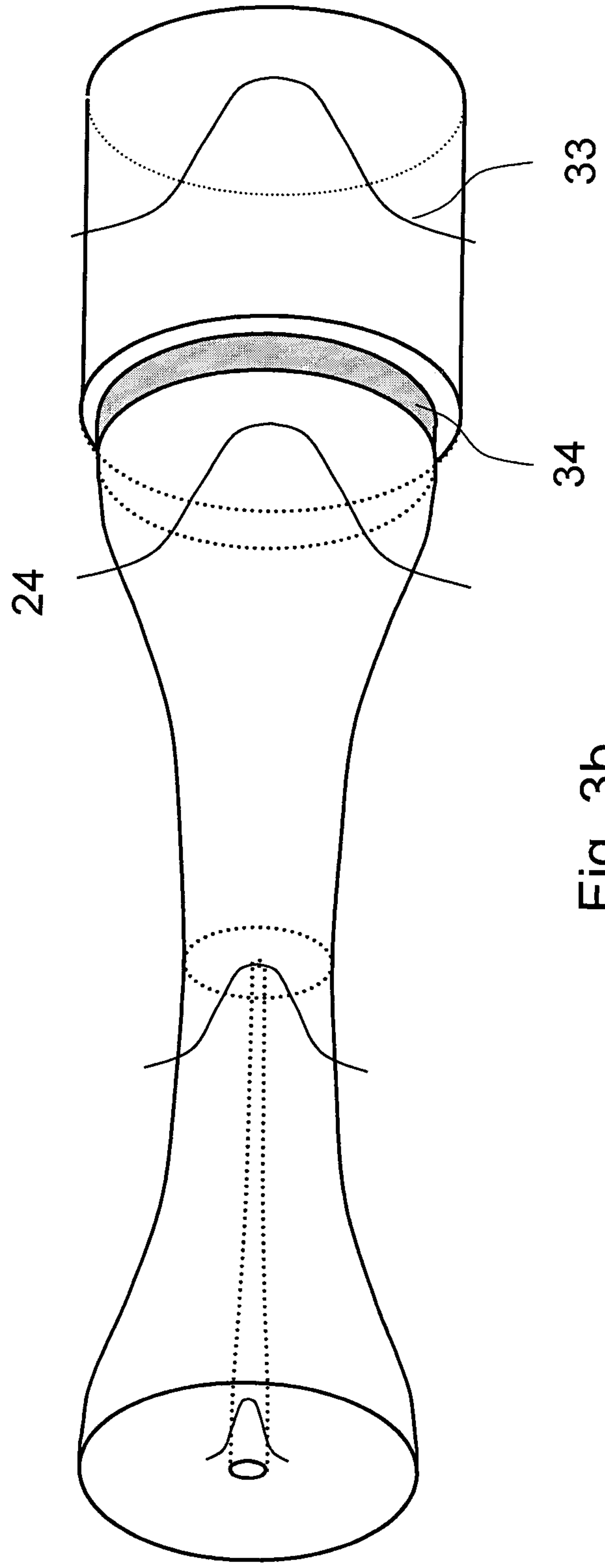


Fig. 3b

