



- (51) International Patent Classification:  
G06F 9/44 (2006.01) G06F 9/46 (2006.01)
- (21) International Application Number:  
PCT/US2011/065941
- (22) International Filing Date:  
19 December 2011 (19.12.2011)
- (25) Filing Language: English
- (26) Publication Language: English
- (30) Priority Data:  
12/977,490 23 December 2010 (23.12.2010) US
- (71) Applicant (for all designated States except US): **INTEL CORPORATION** [US/US]; 2200 Mission College Boulevard, MS: RNB-4-150, Santa Clara, California 95052 (US).
- (72) Inventors; and
- (75) Inventors/Applicants (for US only): **KUMAR, Sanjay** [IN/US]; 1354 NE Alex Way, Apt 254, Hillsboro, Oregon 97124 (US). **COWPERTHEWAITE, David J.** [CA/US]; 355 NE St Jean Place, Hillsboro, Oregon 97124 (US). **LANTZ, Philip R.** [US/US]; 6845 Roy Road, Cornelius, Oregon 97113 (US). **SANKARAN, Rajesh M.** [US/US]; 15132 NW Vance Drive, Portland, Oregon 97229 (US).
- (74) Agents: **BLOUNT, Barry, D.** et al.; International IP Law Group, P.L.L.C, c/o CPA Global, P.O. Box 52050, Minneapolis, MN 55402 (US).

(81) Designated States (unless otherwise indicated, for every kind of national protection available): AE, AG, AL, AM, AO, AT, AU, AZ, BA, BB, BG, BH, BR, BW, BY, BZ, CA, CH, CL, CN, CO, CR, CU, CZ, DE, DK, DM, DO, DZ, EC, EE, EG, ES, FI, GB, GD, GE, GH, GM, GT, HN, HR, HU, ID, IL, IN, IS, JP, KE, KG, KM, KN, KP, KR, KZ, LA, LC, LK, LR, LS, LT, LU, LY, MA, MD, ME, MG, MK, MN, MW, MX, MY, MZ, NA, NG, NI, NO, NZ, OM, PE, PG, PH, PL, PT, QA, RO, RS, RU, RW, SC, SD, SE, SG, SK, SL, SM, ST, SV, SY, TH, TJ, TM, TN, TR, TT, TZ, UA, UG, US, UZ, VC, VN, ZA, ZM, ZW.

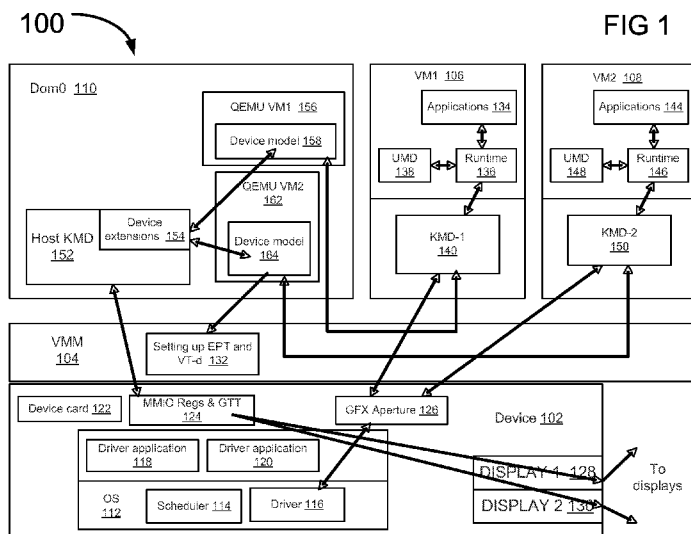
(84) Designated States (unless otherwise indicated, for every kind of regional protection available): ARIPO (BW, GH, GM, KE, LR, LS, MW, MZ, NA, RW, SD, SL, SZ, TZ, UG, ZM, ZW), Eurasian (AM, AZ, BY, KG, KZ, MD, RU, TJ, TM), European (AL, AT, BE, BG, CH, CY, CZ, DE, DK, EE, ES, FI, FR, GB, GR, HR, HU, IE, IS, IT, LT, LU, LV, MC, MK, MT, NL, NO, PL, PT, RO, RS, SE, SI, SK, SM, TR), OAPI (BF, BJ, CF, CG, CI, CM, GA, GN, GQ, GW, ML, MR, NE, SN, TD, TG).

Published:

— with international search report (Art. 21(3))

(88) Date of publication of the international search report:  
1 November 2012

(54) Title: DIRECT SHARING OF SMART DEVICES THROUGH VIRTUALIZATION



(57) Abstract: In some embodiments devices are enabled to run virtual machine workloads directly. Isolation and scheduling are provided between workloads from different virtual machines. Other embodiments are described and claimed.

WO 2012/087984 A3

## INTERNATIONAL SEARCH REPORT

International application No.  
**PCT/US2011/065941****A. CLASSIFICATION OF SUBJECT MATTER****G06F 9/44(2006.01)i, G06F 9/46(2006.01)i**

According to International Patent Classification (IPC) or to both national classification and IPC

**B. FIELDS SEARCHED**

Minimum documentation searched (classification system followed by classification symbols)

G06F 9/44

Documentation searched other than minimum documentation to the extent that such documents are included in the fields searched

Korean utility models and applications for utility models

Japanese utility models and applications for utility models

Electronic data base consulted during the international search (name of data base and, where practicable, search terms used)

eKOMPASS(KIPO internal) &amp; Keywords: I/O virtualization, device sharing, emulation, direct, frequent access, I/O requirement

**C. DOCUMENTS CONSIDERED TO BE RELEVANT**

Category*	Citation of document, with indication, where appropriate, of the relevant passages	Relevant to claim No.
X	US 2009-0119087 A1 (BOON SEONG ANG et al.) 07 May 2009 See abstract; paragraphs [0059]-[0074]; figures 3A-4; claims 1-7.	1-20
X	US 2009-0164990 A1 (SHMUEL BEN-YEHUDA et al.) 25 June 2009 See abstract; paragraphs [0051]-[0053], [0064]-[0069]; figures 3-6B; claims 16-20.	1-20
X A	US 2005-0131668 A1 (ERIC TRAUT) 16 June 2005 See abstract; paragraphs [0037]-[0046]; figures 6A-6B; claim 1.	1, 11 2-10, 12-20
X A	US 2002-0133810 A1 (AARON GILES et al.) 19 September 2002 See abstract; paragraphs [0026], [0037]-[0039]; figures 2-7; claim 1.	1, 11 2-10, 12-20

 Further documents are listed in the continuation of Box C. See patent family annex.

\* Special categories of cited documents:

"A" document defining the general state of the art which is not considered to be of particular relevance

"E" earlier application or patent but published on or after the international filing date

"L" document which may throw doubts on priority claim(s) or which is cited to establish the publication date of citation or other special reason (as specified)

"O" document referring to an oral disclosure, use, exhibition or other means

"P" document published prior to the international filing date but later than the priority date claimed

"T" later document published after the international filing date or priority date and not in conflict with the application but cited to understand the principle or theory underlying the invention

"X" document of particular relevance; the claimed invention cannot be considered novel or cannot be considered to involve an inventive step when the document is taken alone

"Y" document of particular relevance; the claimed invention cannot be considered to involve an inventive step when the document is combined with one or more other such documents, such combination being obvious to a person skilled in the art

"&amp;" document member of the same patent family

Date of the actual completion of the international search

13 AUGUST 2012 (13.08.2012)

Date of mailing of the international search report

**14 AUGUST 2012 (14.08.2012)**

Name and mailing address of the ISA/KR

Korean Intellectual Property Office  
189 Cheongsu-ro, Seo-gu, Daejeon Metropolitan  
City, 302-701, Republic of Korea

Facsimile No. 82-42-472-7140

Authorized officer

KIM Jong Kee

Telephone No. 82-42-481-8301



**INTERNATIONAL SEARCH REPORT**

Information on patent family members

International application No.

**PCT/US2011/065941**

Patent document cited in search report	Publication date	Patent family member(s)	Publication date
US 2009-0119087 A1	07.05.2009	US 7945436 B2	17.05.2011
US 2009-0164990 A1	25.06.2009	None	
US 2005-0131668 A1	16.06.2005	AU 2004-220769 A1 BR P10404496 A CA 2485239 A1 CN 100449488 C0 CN 1627263 A EP 1548589 A2 EP 1548589 A3 JP 2005-174307 A JP 4610307 B2 KR 10-2005-0059409 A MX PA04011275 A RU 2004133169 A US 7558723 B2 ZA 200409138 A	30.06.2005 23.08.2005 12.06.2005 07.01.2009 15.06.2005 29.06.2005 06.06.2007 30.06.2005 12.01.2011 20.06.2005 16.06.2005 27.04.2006 07.07.2009 26.07.2006
US 2002-0133810 A1	19.09.2002	AU 2002-245603 A8 US 6980946 B2 WO 02-075526 A2 WO 02-075526 A3 WO 02-075526 A3	03.10.2002 27.12.2005 26.09.2002 15.04.2004 26.09.2002