



US00D840870S

(12) **United States Design Patent**
Koreishi

(10) **Patent No.:** **US D840,870 S**

(45) **Date of Patent:** **** Feb. 19, 2019**

(54) **BUCKLE**
(71) Applicant: **NIFCO INC.**, Kanagawa (JP)
(72) Inventor: **Namiko Koreishi**, Yokosuka (JP)
(73) Assignee: **NIFCO INC.**, Yokosuka-shi, Kanagawa (JP)
(**) Term: **15 Years**
(21) Appl. No.: **35/502,949**
(22) Filed: **Feb. 15, 2017**
(80) **Hague Agreement Data**
Int. Filing Date: **Feb. 15, 2017**
Int. Reg. No.: **DM/095812**
Int. Reg. Date: **Feb. 15, 2017**
Int. Reg. Pub. Date: **May 12, 2017**

| | | | |
|--------------|---------|------------|---------|
| D328,044 S * | 7/1992 | Murai | 24/169 |
| D340,008 S * | 10/1993 | Anscher | D11/218 |
| D398,262 S * | 9/1998 | Anscher | D11/218 |
| D421,578 S * | 3/2000 | Anscher | D11/218 |
| D446,473 S * | 8/2001 | Chung | D11/218 |
| D452,185 S * | 12/2001 | Yoshiguchi | D11/218 |
| D471,132 S * | 3/2003 | Murata | D11/218 |
| D483,294 S * | 12/2003 | Uehara | D11/218 |
| D491,103 S * | 6/2004 | Uehara | D11/218 |
| D507,763 S * | 7/2005 | Kaneko | D11/218 |
| D563,270 S * | 3/2008 | Zeng | D11/218 |
| D648,653 S * | 11/2011 | Kadoishi | D11/218 |
| D649,907 S * | 12/2011 | Kataguchi | D11/218 |
| D650,720 S * | 12/2011 | Park | D11/218 |
| D668,580 S * | 10/2012 | Kax | D11/218 |
| D683,263 S * | 5/2013 | Paik | D11/218 |
| D702,151 S * | 4/2014 | Kaneko | D11/218 |
| D703,097 S * | 4/2014 | Nanbu | D11/218 |
| D703,100 S * | 4/2014 | Saitsu | D11/218 |
| D721,010 S * | 1/2015 | Spater | D11/218 |
| D729,689 S * | 5/2015 | Kelleghan | D11/218 |
| D731,919 S * | 6/2015 | Kung | D11/218 |
| D731,920 S * | 6/2015 | Kung | D11/218 |
| D731,921 S * | 6/2015 | Kung | D11/218 |
| D741,148 S * | 10/2015 | Liu | D11/218 |

(Continued)

(51) **LOC (11) Cl.** **02-07**
(52) **U.S. Cl.**
USPC **D11/218**
(58) **Field of Classification Search**
USPC D11/200, 201, 206–210, 214–218;
24/163 R, 169–171, 173, 177–179, 191,
24/194, 195, 198, 200, 614–616, 625,
24/578.11, 578.1, 163 K, 114
CPC A44B 11/00; A44B 11/02; A44B 11/04;
A44B 11/25; A44B 11/2526; A44B 11/26;
A44B 17/00; A44B 21/00; A41F 19/00
See application file for complete search history.

Primary Examiner — Melanie Pellegrini

(74) Attorney, Agent, or Firm — Banner & Witcoff, Ltd.

(57) **CLAIM**

The ornamental design for a buckle, as shown and described.

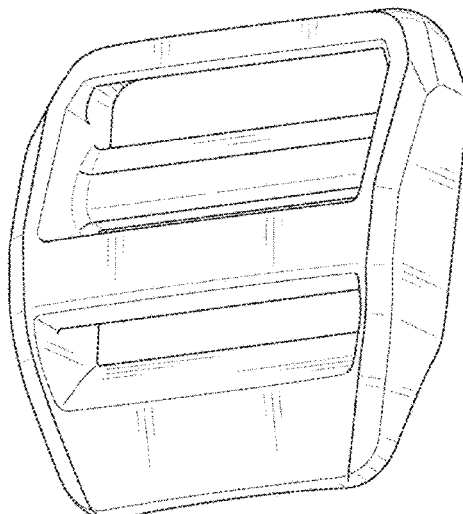
DESCRIPTION

- 1.1-1.7 Buckle
- 1.1 : Perspective
- 1.2 : Front
- 1.3 : Back
- 1.4 : Top
- 1.5 : Bottom
- 1.6 : Left
- 1.7 : Right

1 Claim, 7 Drawing Sheets

(56) **References Cited**
U.S. PATENT DOCUMENTS

| | | | |
|---------------|---------|----------|----------------------|
| D46,861 S * | 1/1915 | Christi | D11/218 |
| 1,437,250 A * | 11/1922 | Kerngood | A44B 11/10 24/194 |
| 2,343,118 A * | 2/1944 | White | A44B 11/04 24/198 |



(56)

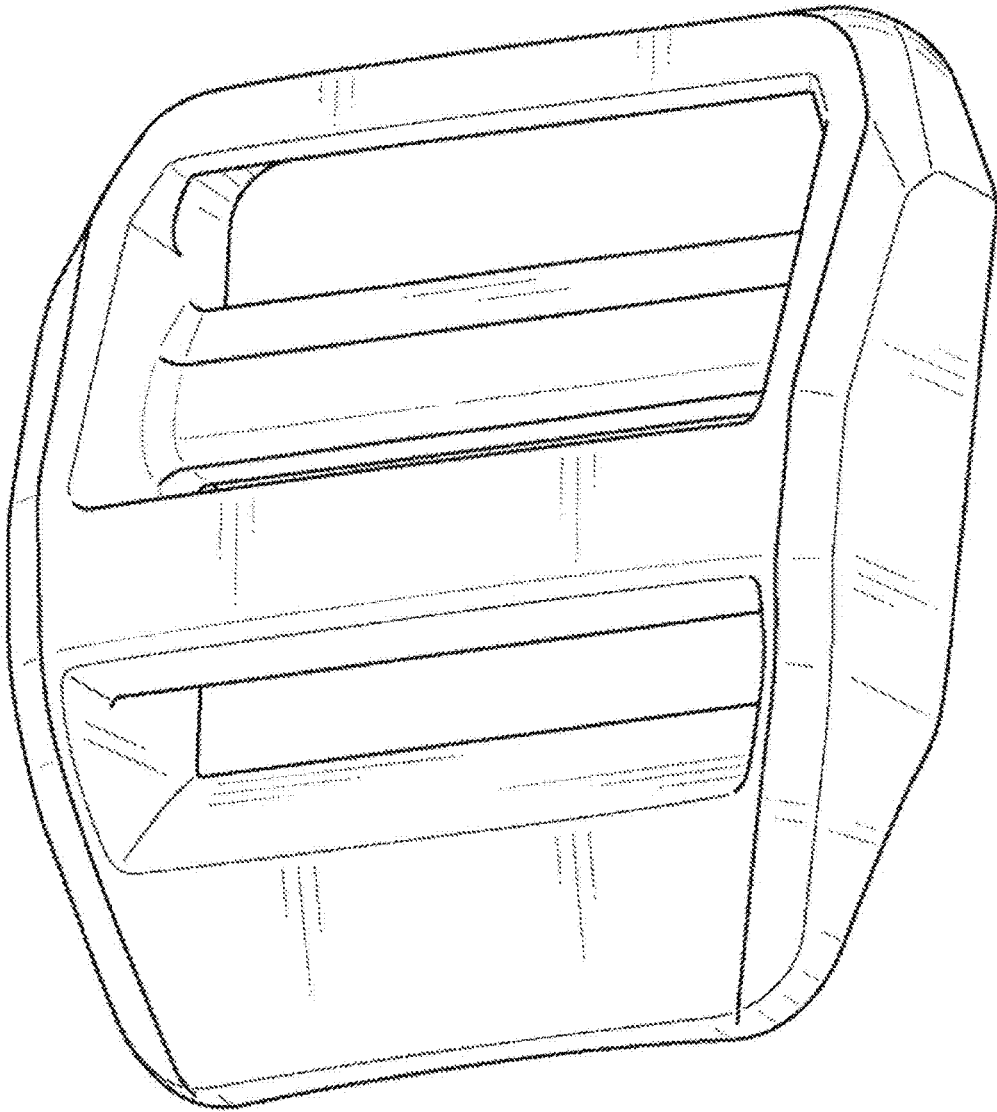
References Cited

U.S. PATENT DOCUMENTS

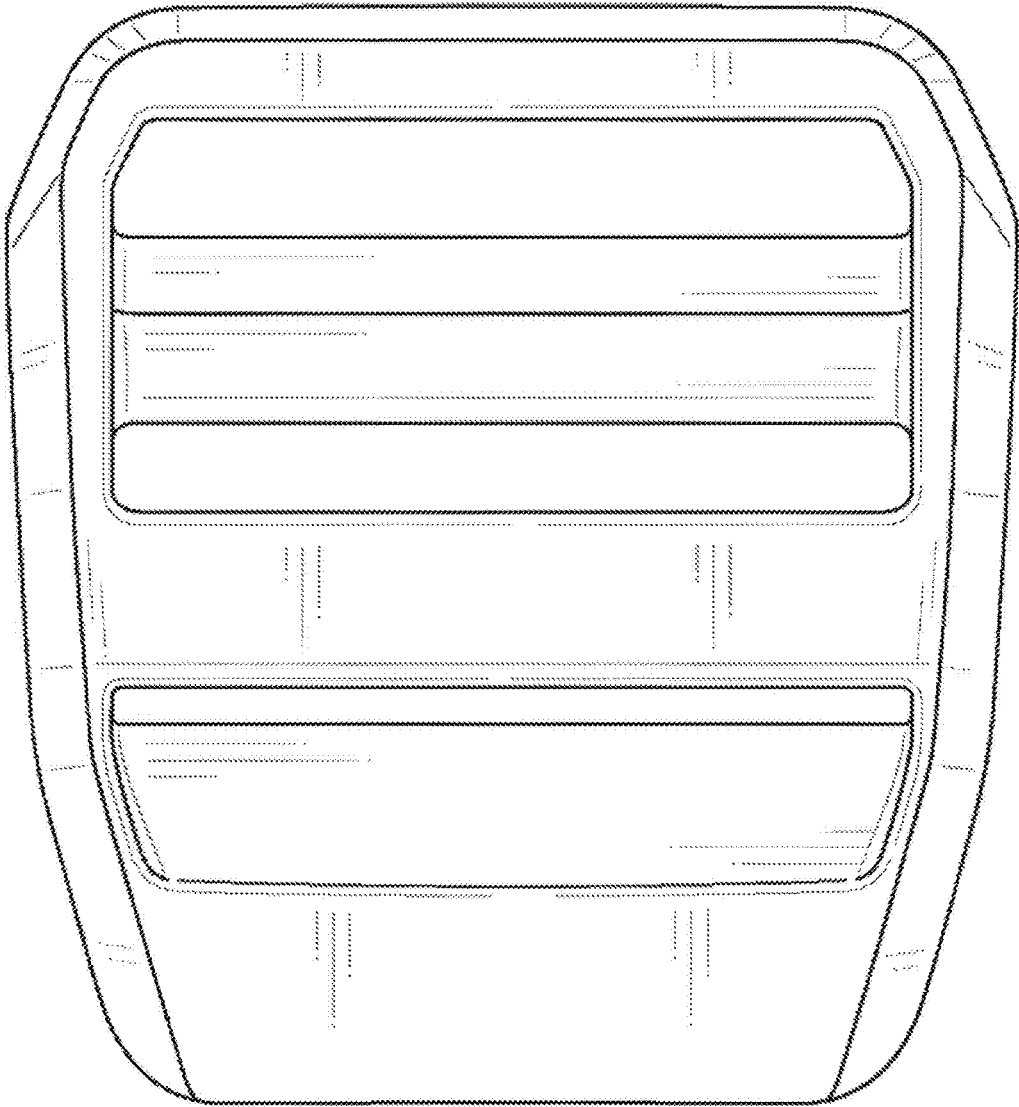
D823,717 S * 7/2018 Ho D11/218
2008/0078069 A1 * 4/2008 Pontao A44B 11/04
24/196

* cited by examiner

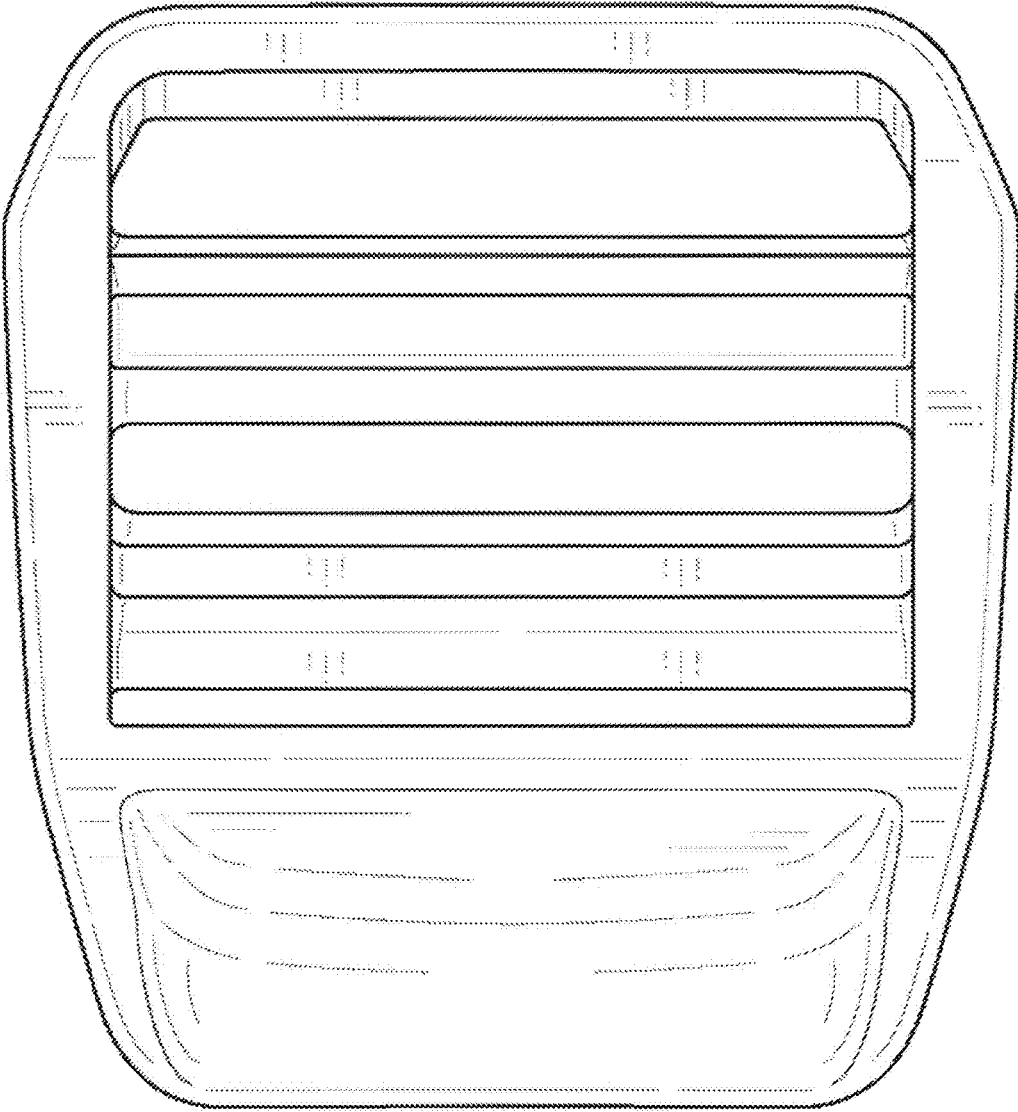
1.1



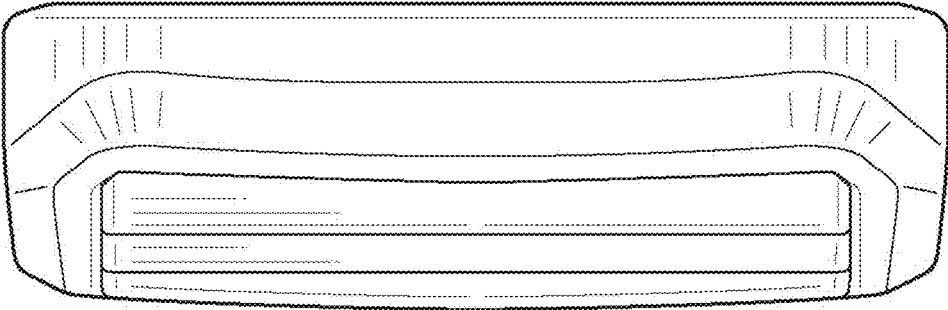
1.2



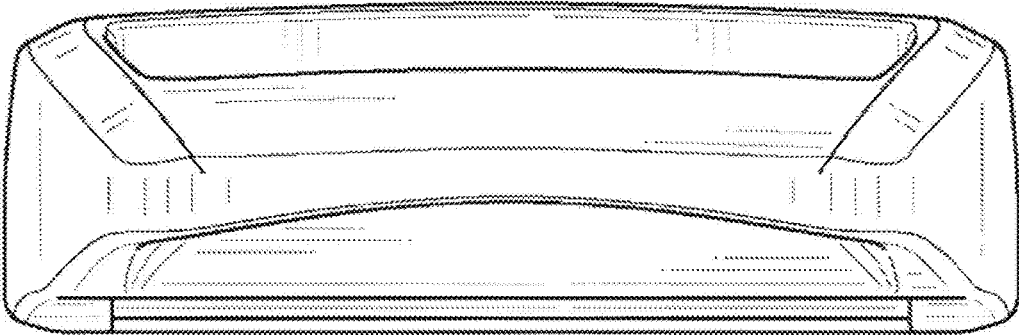
1.3



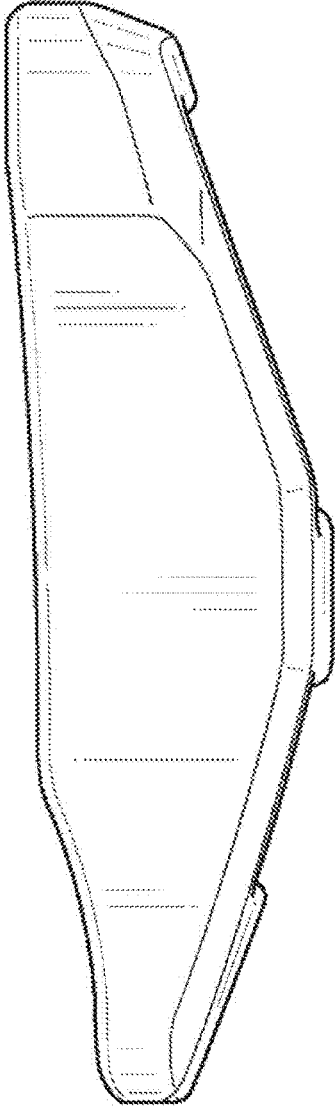
1.4



1.5



1.6



1.7

