



(51) International Patent Classification:

*H04B* 7/26 (2006.01)      *H04W* 72/04 (2009.01)  
*H04L* 5/00 (2006.01)      *H04W* 72/12 (2009.01)  
*H04L* 5/14 (2006.01)

(21) International Application Number:

PCT/US2018/017625

(22) International Filing Date:

09 February 2018 (09.02.2018)

(25) Filing Language:

English

(26) Publication Language:

English

(30) Priority Data:

62/457,779      10 February 2017 (10.02.2017)      US  
15/892,340      08 February 2018 (08.02.2018)      US

(71) Applicant: **QUALCOMM INCORPORATED** [US/US];  
ATTN: International IP Administration, 5775 Morehouse  
Drive, San Diego, California 92121-1714 (US).

(72) Inventors: **SUN, Jing**; 5775 Morehouse Drive, San Diego,  
California 92121-1714 (US). **JIANG, Jing**; 5775 More-  
house Drive, San Diego, California 92121-1714 (US). **JL,  
Tingfang**; 5775 Morehouse Drive, San Diego, California  
92121-1714 (US).

(74) Agent: **READ, Randol W.** et al.; Patterson & Sheridan,  
L.L.P., 24 Greenway Plaza, Suite 1600, Houston, Texas  
77046-2472 (US).

(81) Designated States (unless otherwise indicated, for every  
kind of national protection available): AE, AG, AL, AM,  
AO, AT, AU, AZ, BA, BB, BG, BH, BN, BR, BW, BY, BZ,  
CA, CH, CL, CN, CO, CR, CU, CZ, DE, DJ, DK, DM, DO,  
DZ, EC, EE, EG, ES, FI, GB, GD, GE, GH, GM, GT, HN,  
HR, HU, ID, IL, IN, IR, IS, JO, JP, KE, KG, KH, KN, KP,  
KR, KW, KZ, LA, LC, LK, LR, LS, LU, LY, MA, MD, ME,  
MG, MK, MN, MW, MX, MY, MZ, NA, NG, NI, NO, NZ,  
OM, PA, PE, PG, PH, PL, PT, QA, RO, RS, RU, RW, SA,

(54) Title: MULTI-LEVEL SLOT BUNDLING DESIGN

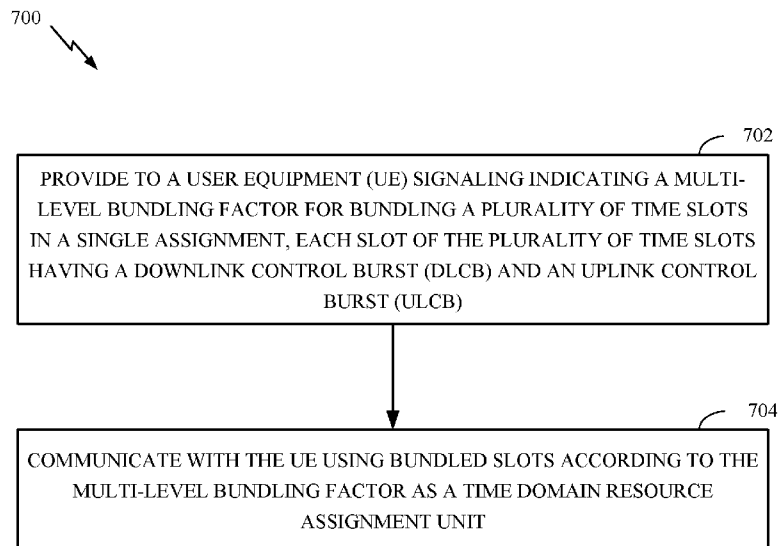


FIG. 7

(57) Abstract: Certain aspects of the present disclosure relate to methods and apparatus for implementing one or more multi-level slot bundling designs using communications systems operating according to new radio (NR) technologies. For example, a method for wireless communications by a user equipment (UE) may be provided that includes receiving signaling indicating a multi-level bundling factor for bundling a plurality of time slots in a single assignment, each slot of the plurality of time slots having a downlink control burst (DLCB) and an uplink control burst (ULCB), and communicating using bundled slots according to the multi-level bundling factor as a time domain resource assignment unit.



SC, SD, SE, SG, SK, SL, SM, ST, SV, SY, TH, TJ, TM, TN,  
TR, TT, TZ, UA, UG, US, UZ, VC, VN, ZA, ZM, ZW.

**(84) Designated States** (*unless otherwise indicated, for every kind of regional protection available*): ARIPO (BW, GH, GM, KE, LR, LS, MW, MZ, NA, RW, SD, SL, ST, SZ, TZ, UG, ZM, ZW), Eurasian (AM, AZ, BY, KG, KZ, RU, TJ, TM), European (AL, AT, BE, BG, CH, CY, CZ, DE, DK, EE, ES, FI, FR, GB, GR, HR, HU, IE, IS, IT, LT, LU, LV, MC, MK, MT, NL, NO, PL, PT, RO, RS, SE, SI, SK, SM, TR), OAPI (BF, BJ, CF, CG, CI, CM, GA, GN, GQ, GW, KM, ML, MR, NE, SN, TD, TG).

**Published:**

— *with international search report (Art. 21(3))*

## MULTI-LEVEL SLOT BUNDLING DESIGN

### CROSS-REFERENCE TO RELATED APPLICATIONS

**[0001]** The present Application for Patent claims benefit of U.S. Provisional Patent Application Serial No. 62/457,779, filed February 10, 2017, and U.S. Patent Application No. 15/892,340, filed February 8, 2018, both of which are hereby expressly incorporated by reference herein in their entirety.

### BACKGROUND

#### Field of the Disclosure

**[0002]** The present disclosure relates generally to communication systems, and more particularly, to methods and apparatus for implementing one or more multi-level slot bundling designs using communications systems operating according to new radio (NR) technologies.

#### Description of Related Art

**[0003]** Wireless communication systems are widely deployed to provide various telecommunication services such as telephony, video, data, messaging, and broadcasts. Typical wireless communication systems may employ multiple-access technologies capable of supporting communication with multiple users by sharing available system resources (e.g., bandwidth, transmit power). Examples of such multiple-access technologies include Long Term Evolution (LTE) systems, code division multiple access (CDMA) systems, time division multiple access (TDMA) systems, frequency division multiple access (FDMA) systems, orthogonal frequency division multiple access (OFDMA) systems, single-carrier frequency division multiple access (SC-FDMA) systems, and time division synchronous code division multiple access (TD-SCDMA) systems.

**[0004]** In some examples, a wireless multiple-access communication system may include a number of base stations, each simultaneously supporting communication for multiple communication devices, otherwise known as user equipment (UEs). In LTE or LTE-A network, a set of one or more base stations may define an eNodeB (eNB). In

other examples (e.g., in a next generation or 5G network), a wireless multiple access communication system may include a number of distributed units (DUs) (e.g., edge units (EUs), edge nodes (ENs), radio heads (RHs), smart radio heads (SRHs), transmission reception points (TRPs), etc.) in communication with a number of central units (CUs) (e.g., central nodes (CNs), access node controllers (ANCs), etc.), where a set of one or more distributed units, in communication with a central unit, may define an access node (e.g., a new radio base station (NR BS), a new radio node-B (NR NB), a network node, 5G NB, eNB, etc.). A base station or DU may communicate with a set of UEs on downlink channels (e.g., for transmissions from a base station or to a UE) and uplink channels (e.g., for transmissions from a UE to a base station or distributed unit).

**[0005]** These multiple access technologies have been adopted in various telecommunication standards to provide a common protocol that enables different wireless devices to communicate on a municipal, national, regional, and even global level. An example of an emerging telecommunication standard is new radio (NR), for example, 5G radio access. NR is a set of enhancements to the LTE mobile standard promulgated by Third Generation Partnership Project (3GPP). It is designed to better support mobile broadband Internet access by improving spectral efficiency, lowering costs, improving services, making use of new spectrum, and better integrating with other open standards using OFDMA with a cyclic prefix (CP) on the downlink (DL) and on the uplink (UL) as well as support beamforming, multiple-input multiple-output (MIMO) antenna technology, and carrier aggregation.

**[0006]** However, as the demand for mobile broadband access continues to increase, there exists a desire for further improvements in NR technology. Preferably, these improvements should be applicable to other multi-access technologies and the telecommunication standards that employ these technologies.

### **BRIEF SUMMARY**

**[0007]** The systems, methods, and devices of the disclosure each have several aspects, no single one of which is solely responsible for its desirable attributes. Without limiting the scope of this disclosure as expressed by the claims which follow, some features will now be discussed briefly. After considering this discussion, and particularly after reading the section entitled “Detailed Description” one will understand

how the features of this disclosure provide advantages that include improved communications between access points and stations in a wireless network.

**[0008]** Certain aspects provide a method for wireless communication by a user equipment (UE), including receiving signaling indicating a multi-level bundling factor for bundling a plurality of time slots in a single assignment, each slot of the plurality of time slots having a downlink control burst (DLCB) and an uplink control burst (ULCB); and communicating using bundled slots according to the multi-level bundling factor as a time domain resource assignment unit.

**[0009]** Aspects generally include methods, apparatus, systems, computer readable mediums, and processing systems, as substantially described herein with reference to and as illustrated by the accompanying drawings.

**[0010]** To the accomplishment of the foregoing and related ends, the one or more aspects comprise the features hereinafter fully described and particularly pointed out in the claims. The following description and the annexed drawings set forth in detail certain illustrative features of the one or more aspects. These features are indicative, however, of but a few of the various ways in which the principles of various aspects may be employed, and this description is intended to include all such aspects and their equivalents.

### **BRIEF DESCRIPTION OF THE DRAWINGS**

**[0011]** So that the manner in which the above-recited features of the present disclosure can be understood in detail, a more particular description, briefly summarized above, may be had by reference to aspects, some of which are illustrated in the appended drawings. It is to be noted, however, that the appended drawings illustrate only certain typical aspects of this disclosure and are therefore not to be considered limiting of its scope, for the description may admit to other equally effective aspects.

**[0012]** FIG. 1 is a block diagram conceptually illustrating an example telecommunications system, in accordance with certain aspects of the present disclosure.

**[0013]** FIG. 2 is a block diagram illustrating an example logical architecture of a distributed RAN, in accordance with certain aspects of the present disclosure.

**[0014]** FIG. 3 is a diagram illustrating an example physical architecture of a distributed RAN, in accordance with certain aspects of the present disclosure.

**[0015]** FIG. 4 is a block diagram conceptually illustrating a design of an example BS and user equipment (UE), in accordance with certain aspects of the present disclosure.

**[0016]** FIG. 5 is a diagram showing examples for implementing a communication protocol stack, in accordance with certain aspects of the present disclosure.

**[0017]** FIG. 6 illustrates an example of a DL-centric subframe, in accordance with certain aspects of the present disclosure.

**[0018]** FIG. 6A illustrates an example of an UL-centric subframe, in accordance with certain aspects of the present disclosure.

**[0019]** FIG. 7 illustrates example operations for wireless communications by a base station (BS), in accordance with aspects of the present disclosure.

**[0020]** FIG. 8 illustrates example operations for wireless communications by a user equipment (UE), in accordance with aspects of the present disclosure.

**[0021]** FIG. 9 illustrates an example of a gNB specific slot bundling scheme, in accordance with aspects of the present disclosure.

**[0022]** FIG. 10 illustrates an example of a UE specific semi-static slot bundling scheme, in accordance with aspects of the present disclosure.

**[0023]** FIG. 11 illustrates an example of a UE specific dynamic slot bundling scheme, in accordance with aspects of the present disclosure.

**[0024]** FIG. 12 illustrates an example of a first level specific bundling scheme and a second level dynamic bundling scheme, in accordance with aspects of the present disclosure.

**[0025]** To facilitate understanding, identical reference numerals have been used, where possible, to designate identical elements that are common to the figures. It is

contemplated that elements described in one aspect may be beneficially utilized on other aspects without specific recitation.

### DETAILED DESCRIPTION

**[0026]** Aspects of the present disclosure provide apparatus, methods, processing systems, and computer readable mediums for new radio (NR) (new radio access technology or 5G technology).

**[0027]** NR may support various wireless communication services, such as Enhanced mobile broadband (eMBB) targeting wide bandwidth (e.g. 80 MHz beyond), millimeter wave (mmW) targeting high carrier frequency (e.g. 27 GHz or beyond), massive MTC (mMTC) targeting non-backward compatible MTC techniques, and/or mission critical targeting ultra-reliable low latency communications (URLLC). These services may include latency and reliability requirements. These services may also have different transmission time intervals (TTI) to meet respective quality of service (QoS) requirements. In addition, these services may co-exist in the same subframe.

**[0028]** The following description provides examples, and is not limiting of the scope, applicability, or examples set forth in the claims. Changes may be made in the function and arrangement of elements discussed without departing from the scope of the disclosure. Various examples may omit, substitute, or add various procedures or components as appropriate. For instance, the methods described may be performed in an order different from that described, and various steps may be added, omitted, or combined. Also, features described with respect to some examples may be combined in some other examples. For example, an apparatus may be implemented or a method may be practiced using any number of the aspects set forth herein. In addition, the scope of the disclosure is intended to cover such an apparatus or method which is practiced using other structure, functionality, or structure and functionality in addition to or other than the various aspects of the disclosure set forth herein. It should be understood that any aspect of the disclosure described herein may be embodied by one or more elements of a claim. The word “exemplary” is used herein to mean “serving as an example, instance, or illustration.” Any aspect described herein as “exemplary” is not necessarily to be construed as preferred or advantageous over other aspects.

**[0029]** The techniques described herein may be used for various wireless communication networks such as LTE, CDMA, TDMA, FDMA, OFDMA, SC-FDMA and other networks. The terms “network” and “system” are often used interchangeably. A CDMA network may implement a radio technology such as Universal Terrestrial Radio Access (UTRA), cdma2000, etc. UTRA includes Wideband CDMA (WCDMA) and other variants of CDMA. cdma2000 covers IS-2000, IS-95 and IS-856 standards. A TDMA network may implement a radio technology such as Global System for Mobile Communications (GSM). An OFDMA network may implement a radio technology such as NR (e.g. 5G RA), Evolved UTRA (E-UTRA), Ultra Mobile Broadband (UMB), IEEE 802.11 (Wi-Fi), IEEE 802.16 (WiMAX), IEEE 802.20, Flash-OFDMA, etc. UTRA and E-UTRA are part of Universal Mobile Telecommunication System (UMTS). NR is an emerging wireless communications technology under development in conjunction with the 5G Technology Forum (5GTF). 3GPP Long Term Evolution (LTE) and LTE-Advanced (LTE-A) are releases of UMTS that use E-UTRA. UTRA, E-UTRA, UMTS, LTE, LTE-A and GSM are described in documents from an organization named “3rd Generation Partnership Project” (3GPP). cdma2000 and UMB are described in documents from an organization named “3rd Generation Partnership Project 2” (3GPP2). The techniques described herein may be used for the wireless networks and radio technologies mentioned above as well as other wireless networks and radio technologies. For clarity, while aspects may be described herein using terminology commonly associated with 3G and/or 4G wireless technologies, aspects of the present disclosure can be applied in other generation-based communication systems, such as 5G and later, including NR technologies.

#### EXAMPLE WIRELESS COMMUNICATIONS SYSTEM

**[0030]** FIG. 1 illustrates an example wireless network 100, such as a new radio (NR) or 5G network, in which aspects of the present disclosure may be performed.

**[0031]** As illustrated in FIG. 1, the wireless network 100 may include a number of BSs 110 and other network entities. A BS may be a station that communicates with UEs. Each BS 110 may provide communication coverage for a particular geographic area. In 3GPP, the term “cell” can refer to a coverage area of a Node B and/or a Node B subsystem serving this coverage area, depending on the context in which the term is used. In NR systems, the term “cell” and eNB, Node B, 5G NB, AP, NR BS, NR BS, or

TRP may be interchangeable. In some examples, a cell may not necessarily be stationary, and the geographic area of the cell may move according to the location of a mobile base station. In some examples, the base stations may be interconnected to one another and/or to one or more other base stations or network nodes (not shown) in the wireless network 100 through various types of backhaul interfaces such as a direct physical connection, a virtual network, or the like using any suitable transport network.

**[0032]** In general, any number of wireless networks may be deployed in a given geographic area. Each wireless network may support a particular radio access technology (RAT) and may operate on one or more frequencies. A RAT may also be referred to as a radio technology, an air interface, etc. A frequency may also be referred to as a carrier, a frequency channel, etc. Each frequency may support a single RAT in a given geographic area in order to avoid interference between wireless networks of different RATs. In some cases, NR or 5G RAT networks may be deployed.

**[0033]** A BS may provide communication coverage for a macro cell, a pico cell, a femto cell, and/or other types of cell. A macro cell may cover a relatively large geographic area (e.g., several kilometers in radius) and may allow unrestricted access by UEs with service subscription. A pico cell may cover a relatively small geographic area and may allow unrestricted access by UEs with service subscription. A femto cell may cover a relatively small geographic area (e.g., a home) and may allow restricted access by UEs having association with the femto cell (e.g., UEs in a Closed Subscriber Group (CSG), UEs for users in the home, etc.). A BS for a macro cell may be referred to as a macro BS. A BS for a pico cell may be referred to as a pico BS. A BS for a femto cell may be referred to as a femto BS or a home BS. In the example shown in FIG. 1, the BSs 110a, 110b and 110c may be macro BSs for the macro cells 102a, 102b and 102c, respectively. The BS 110x may be a pico BS for a pico cell 102x. The BSs 110y and 110z may be femto BS for the femto cells 102y and 102z, respectively. A BS may support one or multiple (e.g., three) cells.

**[0034]** The wireless network 100 may also include relay stations. A relay station is a station that receives a transmission of data and/or other information from an upstream station (e.g., a BS or a UE) and sends a transmission of the data and/or other information to a downstream station (e.g., a UE or a BS). A relay station may also be a UE that relays transmissions for other UEs. In the example shown in FIG. 1, a relay

station 110r may communicate with the BS 110a and a UE 120r in order to facilitate communication between the BS 110a and the UE 120r. A relay station may also be referred to as a relay BS, a relay, etc.

**[0035]** The wireless network 100 may be a heterogeneous network that includes BSs of different types, e.g., macro BS, pico BS, femto BS, relays, etc. These different types of BSs may have different transmit power levels, different coverage areas, and different impact on interference in the wireless network 100. For example, macro BS may have a high transmit power level (e.g., 20 Watts) whereas pico BS, femto BS, and relays may have a lower transmit power level (e.g., 1 Watt).

**[0036]** The wireless network 100 may support synchronous or asynchronous operation. For synchronous operation, the BSs may have similar frame timing, and transmissions from different BSs may be approximately aligned in time. For asynchronous operation, the BSs may have different frame timing, and transmissions from different BSs may not be aligned in time. The techniques described herein may be used for both synchronous and asynchronous operation.

**[0037]** A network controller 130 may be coupled to a set of BSs and provide coordination and control for these BSs. The network controller 130 may communicate with the BSs 110 via a backhaul. The BSs 110 may also communicate with one another, e.g., directly or indirectly via wireless or wireline backhaul.

**[0038]** The UEs 120 (e.g., 120x, 120y, etc.) may be dispersed throughout the wireless network 100, and each UE may be stationary or mobile. A UE may also be referred to as a mobile station, a terminal, an access terminal, a subscriber unit, a station, a Customer Premises Equipment (CPE), a cellular phone, a smart phone, a personal digital assistant (PDA), a wireless modem, a wireless communication device, a handheld device, a laptop computer, a cordless phone, a wireless local loop (WLL) station, a tablet, a camera, a gaming device, a netbook, a smartbook, an ultrabook, a medical device or medical equipment, a biometric sensor/device, a wearable device such as a smart watch, smart clothing, smart glasses, a smart wrist band, smart jewelry (e.g., a smart ring, a smart bracelet, etc.), an entertainment device (e.g., a music device, a video device, a satellite radio, etc.), a vehicular component or sensor, a smart meter/sensor, industrial manufacturing equipment, a global positioning system device,

or any other suitable device that is configured to communicate via a wireless or wired medium. Some UEs may be considered evolved or machine-type communication (MTC) devices or evolved MTC (eMTC) devices. MTC and eMTC UEs include, for example, robots, drones, remote devices, sensors, meters, monitors, location tags, etc., that may communicate with a BS, another device (e.g., remote device), or some other entity. A wireless node may provide, for example, connectivity for or to a network (e.g., a wide area network such as Internet or a cellular network) via a wired or wireless communication link. Some UEs may be considered Internet-of-Things (IoT) devices.

**[0039]** In FIG. 1, a solid line with double arrows indicates desired transmissions between a UE and a serving BS, which is a BS designated to serve the UE on the downlink and/or uplink. A dashed line with double arrows indicates interfering transmissions between a UE and a BS.

**[0040]** Certain wireless networks (e.g., LTE) utilize orthogonal frequency division multiplexing (OFDM) on the downlink and single-carrier frequency division multiplexing (SC-FDM) on the uplink. OFDM and SC-FDM partition the system bandwidth into multiple (K) orthogonal subcarriers, which are also commonly referred to as tones, bins, etc. Each subcarrier may be modulated with data. In general, modulation symbols are sent in the frequency domain with OFDM and in the time domain with SC-FDM. The spacing between adjacent subcarriers may be fixed, and the total number of subcarriers (K) may be dependent on the system bandwidth. For example, the spacing of the subcarriers may be 15 kHz and the minimum resource allocation (called a 'resource block') may be 12 subcarriers (or 180 kHz). Consequently, the nominal FFT size may be equal to 128, 256, 512, 1024 or 2048 for system bandwidth of 1.25, 2.5, 5, 10 or 20 megahertz (MHz), respectively. The system bandwidth may also be partitioned into subbands. For example, a subband may cover 1.08 MHz (i.e., 6 resource blocks), and there may be 1, 2, 4, 8 or 16 subbands for system bandwidth of 1.25, 2.5, 5, 10 or 20 MHz, respectively.

**[0041]** While aspects of the examples described herein may be associated with LTE technologies, aspects of the present disclosure may be applicable with other wireless communications systems, such as NR. NR may utilize OFDM with a CP on the uplink and downlink and include support for half-duplex operation using time division duplex (TDD). A single component carrier bandwidth of 100 MHz may be supported. NR

resource blocks may span 12 sub-carriers with a sub-carrier bandwidth of 75 kHz over a 0.1 ms duration. Each radio frame may consist of 2 half frames, each half frame consisting of 5 subframes, with a length of 10 ms. Consequently, each subframe may have a length of 1 ms. Each subframe may indicate a link direction (i.e., DL or UL) for data transmission and the link direction for each subframe may be dynamically switched. Each subframe may include DL/UL data as well as DL/UL control data. UL and DL subframes for NR may be as described in more detail below with respect to FIGs. 6 and 7. Beamforming may be supported and beam direction may be dynamically configured. MIMO transmissions with precoding may also be supported. MIMO configurations in the DL may support up to 8 transmit antennas with multi-layer DL transmissions up to 8 streams and up to 2 streams per UE. Multi-layer transmissions with up to 2 streams per UE may be supported. Aggregation of multiple cells may be supported with up to 8 serving cells. Alternatively, NR may support a different air interface, other than an OFDM-based. NR networks may include entities such as CUs and/or DUs.

**[0042]** In some examples, access to the air interface may be scheduled, wherein a scheduling entity (e.g., a base station) allocates resources for communication among some or all devices and equipment within its service area or cell. Within the present disclosure, as discussed further below, the scheduling entity may be responsible for scheduling, assigning, reconfiguring, and releasing resources for one or more subordinate entities. That is, for scheduled communication, subordinate entities utilize resources allocated by the scheduling entity. Base stations are not the only entities that may function as a scheduling entity. That is, in some examples, a UE may function as a scheduling entity, scheduling resources for one or more subordinate entities (e.g., one or more other UEs). In this example, the UE is functioning as a scheduling entity, and other UEs utilize resources scheduled by the UE for wireless communication. A UE may function as a scheduling entity in a peer-to-peer (P2P) network, and/or in a mesh network. In a mesh network example, UEs may optionally communicate directly with one another in addition to communicating with the scheduling entity.

**[0043]** Thus, in a wireless communication network with a scheduled access to time-frequency resources and having a cellular configuration, a P2P configuration, and a

mesh configuration, a scheduling entity and one or more subordinate entities may communicate utilizing the scheduled resources.

**[0044]** As noted above, a RAN may include a CU and DUs. A NR BS (e.g., eNB, 5G Node B, Node B, transmission reception point (TRP), access point (AP)) may correspond to one or multiple BSs. NR cells can be configured as access cell (ACells) or data only cells (DCells). For example, the RAN (e.g., a central unit or distributed unit) can configure the cells. DCells may be cells used for carrier aggregation or dual connectivity, but not used for initial access, cell selection/reselection, or handover. In some cases DCells may not transmit synchronization signals—in some case cases DCells may transmit SS. NR BSs may transmit downlink signals to UEs indicating the cell type. Based on the cell type indication, the UE may communicate with the NR BS. For example, the UE may determine NR BSs to consider for cell selection, access, handover, and/or measurement based on the indicated cell type.

**[0045]** FIG. 2 illustrates an example logical architecture of a distributed radio access network (RAN) 200, which may be implemented in the wireless communication system illustrated in FIG. 1. A 5G access node 206 may include an access node controller (ANC) 202. The ANC may be a central unit (CU) of the distributed RAN 200. The backhaul interface to the next generation core network (NG-CN) 204 may terminate at the ANC. The backhaul interface to neighboring next generation access nodes (NG-ANs) may terminate at the ANC. The ANC may include one or more TRPs 208 (which may also be referred to as BSs, NR BSs, Node Bs, 5G NBs, APs, or some other term). As described above, a TRP may be used interchangeably with “cell.”

**[0046]** The TRPs 208 may be a DU. The TRPs may be connected to one ANC (ANC 202) or more than one ANC (not illustrated). For example, for RAN sharing, radio as a service (RaaS), and service specific AND deployments, the TRP may be connected to more than one ANC. A TRP may include one or more antenna ports. The TRPs may be configured to individually (e.g., dynamic selection) or jointly (e.g., joint transmission) serve traffic to a UE.

**[0047]** The local architecture 200 may be used to illustrate fronthaul definition. The architecture may be defined that support fronthauling solutions across different

deployment types. For example, the architecture may be based on transmit network capabilities (e.g., bandwidth, latency, and/or jitter).

**[0048]** The architecture may share features and/or components with LTE. According to aspects, the next generation AN (NG-AN) 210 may support dual connectivity with NR. The NG-AN may share a common fronthaul for LTE and NR.

**[0049]** The architecture may enable cooperation between and among TRPs 208. For example, cooperation may be preset within a TRP and/or across TRPs via the ANC 202. According to aspects, no inter-TRP interface may be needed/present.

**[0050]** According to aspects, a dynamic configuration of split logical functions may be present within the architecture 200. As will be described in more detail with reference to FIG. 5, the Radio Resource Control (RRC) layer, Packet Data Convergence Protocol (PDCP) layer, Radio Link Control (RLC) layer, Medium Access Control (MAC) layer, and a Physical (PHY) layers may be adaptably placed at the DU or CU (e.g., TRP or ANC, respectively). According to certain aspects, a BS may include a central unit (CU) (e.g., ANC 202) and/or one or more distributed units (e.g., one or more TRPs 208).

**[0051]** FIG. 3 illustrates an example physical architecture of a distributed RAN 300, according to aspects of the present disclosure. A centralized core network unit (C-CU) 302 may host core network functions. The C-CU may be centrally deployed. C-CU functionality may be offloaded (e.g., to advanced wireless services (AWS)), in an effort to handle peak capacity.

**[0052]** A centralized RAN unit (C-RU) 304 may host one or more ANC functions. Optionally, the C-RU may host core network functions locally. The C-RU may have distributed deployment. The C-RU may be closer to the network edge.

**[0053]** A DU 306 may host one or more TRPs (edge node (EN), an edge unit (EU), a radio head (RH), a smart radio head (SRH), or the like). The DU may be located at edges of the network with radio frequency (RF) functionality.

**[0054]** FIG. 4 illustrates example components of the BS 110 and UE 120 illustrated in FIG. 1, which may be used to implement aspects of the present disclosure. As described above, the BS may include a TRP. One or more components of the BS 110

and UE 120 may be used to practice aspects of the present disclosure. For example, antennas 452, Tx/Rx 222, processors 466, 458, 464, and/or controller/processor 480 of the UE 120 and/or antennas 434, processors 460, 420, 438, and/or controller/processor 440 of the BS 110 may be used to perform the operations described herein and illustrated with reference to FIG. 13.

**[0055]** FIG. 4 shows a block diagram of a design of a BS 110 and a UE 120, which may be one of the BSs and one of the UEs in FIG. 1. For a restricted association scenario, the base station 110 may be the macro BS 110c in FIG. 1, and the UE 120 may be the UE 120y. The base station 110 may also be a base station of some other type. The base station 110 may be equipped with antennas 434a through 434t, and the UE 120 may be equipped with antennas 452a through 452r.

**[0056]** At the base station 110, a transmit processor 420 may receive data from a data source 412 and control information from a controller/processor 440. The control information may be for the Physical Broadcast Channel (PBCH), Physical Control Format Indicator Channel (PCFICH), Physical Hybrid ARQ Indicator Channel (PHICH), Physical Downlink Control Channel (PDCCH), etc. The data may be for the Physical Downlink Shared Channel (PDSCH), etc. The processor 420 may process (e.g., encode and symbol map) the data and control information to obtain data symbols and control symbols, respectively. The processor 420 may also generate reference symbols, e.g., for the PSS, SSS, and cell-specific reference signal. A transmit (TX) multiple-input multiple-output (MIMO) processor 430 may perform spatial processing (e.g., precoding) on the data symbols, the control symbols, and/or the reference symbols, if applicable, and may provide output symbol streams to the modulators (MODs) 432a through 432t. For example, the TX MIMO processor 430 may perform certain aspects described herein for RS multiplexing. Each modulator 432 may process a respective output symbol stream (e.g., for OFDM, etc.) to obtain an output sample stream. Each modulator 432 may further process (e.g., convert to analog, amplify, filter, and upconvert) the output sample stream to obtain a downlink signal. Downlink signals from modulators 432a through 432t may be transmitted via the antennas 434a through 434t, respectively.

**[0057]** At the UE 120, the antennas 452a through 452r may receive the downlink signals from the base station 110 and may provide received signals to the demodulators

(DEMODs) 454a through 454r, respectively. Each demodulator 454 may condition (e.g., filter, amplify, downconvert, and digitize) a respective received signal to obtain input samples. Each demodulator 454 may further process the input samples (e.g., for OFDM, etc.) to obtain received symbols. A MIMO detector 456 may obtain received symbols from all the demodulators 454a through 454r, perform MIMO detection on the received symbols if applicable, and provide detected symbols. For example, MIMO detector 456 may provide detected RS transmitted using techniques described herein. A receive processor 458 may process (e.g., demodulate, deinterleave, and decode) the detected symbols, provide decoded data for the UE 120 to a data sink 460, and provide decoded control information to a controller/processor 480. According to one or more cases, CoMP aspects can include providing the antennas, as well as some Tx/Rx functionalities, such that they reside in distributed units. For example, some Tx/Rx processings can be done in the central unit, while other processing can be done at the distributed units. For example, in accordance with one or more aspects as shown in the diagram, the BS mod/demod 432 may be in the distributed units.

**[0058]** On the uplink, at the UE 120, a transmit processor 464 may receive and process data (e.g., for the Physical Uplink Shared Channel (PUSCH)) from a data source 462 and control information (e.g., for the Physical Uplink Control Channel (PUCCH) from the controller/processor 480. The transmit processor 464 may also generate reference symbols for a reference signal. The symbols from the transmit processor 464 may be precoded by a TX MIMO processor 466 if applicable, further processed by the demodulators 454a through 454r (e.g., for SC-FDM, etc.), and transmitted to the base station 110. At the BS 110, the uplink signals from the UE 120 may be received by the antennas 434, processed by the modulators 432, detected by a MIMO detector 436 if applicable, and further processed by a receive processor 438 to obtain decoded data and control information sent by the UE 120. The receive processor 438 may provide the decoded data to a data sink 439 and the decoded control information to the controller/processor 440.

**[0059]** The controllers/processors 440 and 480 may direct the operation at the base station 110 and the UE 120, respectively. The processor 440 and/or other processors and modules at the base station 110 may perform or direct, e.g., the execution of the functional blocks illustrated in FIG. 12, and/or other processes for the techniques

described herein. The processor 480 and/or other processors and modules at the UE 120 may also perform or direct processes for the techniques described herein. The memories 442 and 482 may store data and program codes for the BS 110 and the UE 120, respectively. A scheduler 444 may schedule UEs for data transmission on the downlink and/or uplink.

**[0060]** FIG. 5 illustrates a diagram 500 showing examples for implementing a communications protocol stack, according to aspects of the present disclosure. The illustrated communications protocol stacks may be implemented by devices operating in a 5G system (e.g., a system that supports uplink-based mobility). Diagram 500 illustrates a communications protocol stack including a Radio Resource Control (RRC) layer 510, a Packet Data Convergence Protocol (PDCP) layer 515, a Radio Link Control (RLC) layer 520, a Medium Access Control (MAC) layer 525, and a Physical (PHY) layer 530. In various examples the layers of a protocol stack may be implemented as separate modules of software, portions of a processor or ASIC, portions of non-collocated devices connected by a communications link, or various combinations thereof. Collocated and non-collocated implementations may be used, for example, in a protocol stack for a network access device (e.g., ANs, CUs, and/or DUs) or a UE.

**[0061]** A first option 505-a shows a split implementation of a protocol stack, in which implementation of the protocol stack is split between a centralized network access device (e.g., an ANC 202 in FIG. 2) and distributed network access device (e.g., DU 208 in FIG. 2). In the first option 505-a, an RRC layer 510 and a PDCP layer 515 may be implemented by the central unit, and an RLC layer 520, a MAC layer 525, and a PHY layer 530 may be implemented by the DU. In various examples the CU and the DU may be collocated or non-collocated. The first option 505-a may be useful in a macro cell, micro cell, or pico cell deployment.

**[0062]** A second option 505-b shows a unified implementation of a protocol stack, in which the protocol stack is implemented in a single network access device (e.g., access node (AN), new radio base station (NR BS), a new radio Node-B (NR NB), a network node (NN), or the like.). In the second option, the RRC layer 510, the PDCP layer 515, the RLC layer 520, the MAC layer 525, and the PHY layer 530 may each be implemented by the AN. The second option 505-b may be useful in a femto cell deployment.

**[0063]** Regardless of whether a network access device implements part or all of a protocol stack, a UE may implement an entire protocol stack (e.g., the RRC layer 510, the PDCP layer 515, the RLC layer 520, the MAC layer 525, and the PHY layer 530).

**[0064]** FIG. 6 is a diagram 600 showing an example of a DL-centric subframe. A subframe may comprise a number of slots, for example, one or more DL slots and/or UL slots. A DL-centric subframe may comprise more DL slots than UL slots. The DL-centric subframe, as shown in FIG. 6, may include a control portion 602. The control portion 602 may exist in the initial or beginning portion of the DL-centric subframe. The control portion 602 may include various scheduling information and/or control information corresponding to various portions of the DL-centric subframe. In some configurations, the control portion 602 may be a physical DL control channel (PDCCH), as indicated in FIG. 6. The DL-centric subframe may also include a DL data portion 604. The DL data portion 604 may sometimes be referred to as the payload of the DL-centric subframe. The DL data portion 604 may include the communication resources utilized to communicate DL data from the scheduling entity (e.g., UE or BS) to the subordinate entity (e.g., UE). In some configurations, the DL data portion 604 may be a physical DL shared channel (PDSCH).

**[0065]** The DL-centric subframe may also include a common UL portion 606. The common UL portion 606 may sometimes be referred to as an UL burst, a common UL burst, and/or various other suitable terms. The common UL portion 606 may include feedback information corresponding to various other portions of the DL-centric subframe. For example, the common UL portion 606 may include feedback information corresponding to the control portion 602. Non-limiting examples of feedback information may include an ACK signal, a NACK signal, a HARQ indicator, and/or various other suitable types of information. The common UL portion 606 may include additional or alternative information, such as information pertaining to random access channel (RACH) procedures, scheduling requests (SRs), and various other suitable types of information. As illustrated in FIG. 6, the end of the DL data portion 604 may be separated in time from the beginning of the common UL portion 606. This time separation may sometimes be referred to as a gap, a guard period, a guard interval, and/or various other suitable terms. This separation provides time for the switch-over from DL communication (e.g., reception operation by the subordinate entity (e.g., UE))

to UL communication (e.g., transmission by the subordinate entity (e.g., UE)). One of ordinary skill in the art will understand that the foregoing is merely one example of a DL-centric subframe and alternative structures having similar features may exist without necessarily deviating from the aspects described herein.

**[0066]** FIG. 6A is a diagram 600A showing an example of an UL-centric subframe. As noted above, a subframe may comprise a number of slots including one or more DL slots and/or UL slots. A UL-centric subframe may comprise more UL slots than DL slots. The UL-centric subframe, as shown in FIG. 6A, may include a control portion 602A. The control portion 602A may exist in the initial or beginning portion of the UL-centric subframe. The control portion 602A in FIG. 6A may be similar to the control portion described above with reference to FIG. 6. The UL-centric subframe may also include an UL data portion 604A. The UL data portion 604A may sometimes be referred to as the payload of the UL-centric subframe. The UL portion may refer to the communication resources utilized to communicate UL data from the subordinate entity (e.g., UE) to the scheduling entity (e.g., UE or BS). In some configurations, the control portion 602A may be a physical DL control channel (PDCCH).

**[0067]** As illustrated in FIG. 6A, the end of the control portion 602A may be separated in time from the beginning of the UL data portion 604A. This time separation may sometimes be referred to as a gap, guard period, guard interval, and/or various other suitable terms. This separation provides time for the switch-over from DL communication (e.g., reception operation by the scheduling entity) to UL communication (e.g., transmission by the scheduling entity). The UL-centric subframe may also include a common UL portion 606A. The common UL portion 606A in FIG. 6A may be similar to the common UL portion 606A described above with reference to FIG. 6A. The common UL portion 606A may additionally or alternatively include information pertaining to channel quality indicator (CQI), sounding reference signals (SRSs), and various other suitable types of information. One of ordinary skill in the art will understand that the foregoing is merely one example of an UL-centric subframe and alternative structures having similar features may exist without necessarily deviating from the aspects described herein.

**[0068]** In some circumstances, two or more subordinate entities (e.g., UEs) may communicate with each other using sidelink signals. Real-world applications of such

sidelink communications may include public safety, proximity services, UE-to-network relaying, vehicle-to-vehicle (V2V) communications, Internet of Everything (IoE) communications, IoT communications, mission-critical mesh, and/or various other suitable applications. Generally, a sidelink signal may refer to a signal communicated from one subordinate entity (e.g., UE1) to another subordinate entity (e.g., UE2) without relaying that communication through the scheduling entity (e.g., UE or BS), even though the scheduling entity may be utilized for scheduling and/or control purposes. In some examples, the sidelink signals may be communicated using a licensed spectrum (unlike wireless local area networks, which typically use an unlicensed spectrum).

**[0069]** A UE may operate in various radio resource configurations, including a configuration associated with transmitting pilots using a dedicated set of resources (e.g., a radio resource control (RRC) dedicated state, etc.) or a configuration associated with transmitting pilots using a common set of resources (e.g., an RRC common state, etc.). When operating in the RRC dedicated state, the UE may select a dedicated set of resources for transmitting a pilot signal to a network. When operating in the RRC common state, the UE may select a common set of resources for transmitting a pilot signal to the network. In either case, a pilot signal transmitted by the UE may be received by one or more network access devices, such as an AN, or a DU, or portions thereof. Each receiving network access device may be configured to receive and measure pilot signals transmitted on the common set of resources, and also receive and measure pilot signals transmitted on dedicated sets of resources allocated to the UEs for which the network access device is a member of a monitoring set of network access devices for the UE. One or more of the receiving network access devices, or a CU to which receiving network access device(s) transmit the measurements of the pilot signals, may use the measurements to identify serving cells for the UEs, or to initiate a change of serving cell for one or more of the UEs.

#### EXAMPLE OF MULTI-LEVEL SLOT BUNDLING DESIGN FOR NR

**[0070]** In accordance with one or more aspects of embodiments described herein, multi-level slot bundling may be provided. Slot bundling, which may also be referred to as slot aggregation, includes transmitting a single transport block (TB) across multiple slots examples of which are shown in FIGs. 10, 11, and 12. In NR, slot bundling is an

agreed upon concept. However, slot bundling may be implemented in NR without a common understanding as to what slot bundling is exactly. Accordingly, gNB and UE specific slot bundling is provided herewith that may be implemented independently and/or jointly. The slots may comprise 7 symbols or 14 symbols.

**[0071]** Specifically, slot bundling options may include a gNB specific slot bundling and/or a UE specific slot bundling. The gNB specific slot bundling and the UE specific slot bundling may be used together as a multi-level slot bundling architecture. In one or more cases, the gNB specific slot bundling may also be used independent of other bundling schemes. Similarly, in one or more cases, the UE specific slot bundling may be used independent of other bundling schemes. According to some aspects, when used together or separately the gNB and UE specific slot bundling schemes as defined herein may provide benefits and advantages including but not limited to higher data rates, capacity, and/or spectral efficiency.

**[0072]** In one or more cases, the gNB specific slot bundling may be referred to as a 1<sup>st</sup> level or 'level 1' slot bundling and the UE specific slot bundling may be referred to as a 2<sup>nd</sup> level or 'level 2' slot bundling. The UE specific slot bundling may include one or more of UE specific semi-static slot bundling and UE specific dynamic slot bundling. In one or more cases, any combination of bundling schemes as described herein may be implemented. For example, in one case, all of the bundling schemes may be used together. In another case, any one of the schemes may be used in isolation. Further, any combination there between may be used. For example, in one case one of UE specific semi-static or dynamic slot bundling may be selected and used. In another case, only level 1 bundling may be used or in another case only level 2 bundling may be used.

**[0073]** FIG. 7 illustrates example operations 700 for implementing one or more bundling schemes for wireless communications by a base station (BS), in accordance with aspects of the present disclosure.

**[0074]** Operations 700 begin, at block 702, by providing to a user equipment (UE) signaling indicating a multi-level bundling factor for bundling a plurality of time slots in a single assignment, each slot of the plurality of time slots having a downlink control burst (DLCB) and an uplink control burst (ULCB). At 704, the base station

communicates with the UE using bundled slots according to the multi-level bundling factor as a time domain resource assignment unit.

**[0075]** FIG. 8 illustrates example operations 800 for implementing one or more bundling schemes for wireless communications by a UE, in accordance with aspects of the present disclosure. Operations 800 may be performed, for example, by a UE to communicate via bundled transmissions with a base station performing operations 700 described above.

**[0076]** Operations 800 begin, at block 802, with receiving signaling indicating a multi-level bundling factor for bundling a plurality of time slots in a single assignment, each slot of the plurality of time slots having a downlink control burst (DLCB) and an uplink control burst (ULCB). At 804, the UE communicates using bundled slots according to the multi-level bundling factor as a time domain resource assignment unit.

**[0077]** In accordance with one or more cases, a gNB specific bundling scheme, which may also be called a gNB specific aggregation scheme, may be implemented. For example, in one or more cases, the signaling may indicate a base station specific bundling factor for all UEs served by a same base station. The signaling may be provided via an information block, such as for example, but not limited to, a master information block (MIB). The base station specific bundling factor may be jointly coded with other information in the information block. In accordance with one or more aspects, a bundled slot may have a downlink control burst (DLCB) at a beginning of the bundled slot. In accordance with one or more aspects, a bundled slot may have an uplink control burst (ULCB) at an end of the bundled slot. In accordance with one or more aspects, a bundled slot may have a data portion with no additional uplink or downlink control bursts. Further, the bundled slot may have a combination of one or more of the downlink control burst (DLCB) at a beginning of the bundled slot, the uplink control burst (ULCB) at an end of the bundled slot, the data portion with no additional uplink or downlink control bursts.

**[0078]** In accordance with one or more cases, a UE specific bundling scheme, which may also be called a UE specific aggregation scheme, may be implemented. For example, in one or more cases, the signaling may indicate a UE-specific bundling factor. A UE may be RRC configured to use slot bundling. The UE-specific bundling

factor may be signaled signaling via at least one of a semi-static signaling or a dynamic signaling. The signaling may provide different bundling factors for uplink-centric slots and downlink-centric slots. In one or more cases, uplink control bursts and downlink control bursts may be maintained within bundled slots. In one or more cases, a single transport block may be transmitted in a bundled slot. For dynamic slot bundling, the uplink control burst (ULCB) and downlink control burst (DLCB) at the inner slot boundary may be kept.

**[0079]** In accordance with one or more cases, a combination of the gNB and UE bundling schemes may be implemented together. For example, the signaling may indicate a base station specific bundling factor for all UEs served by a same base station, and the signaling may indicate a UE-specific bundling factor. Further, the UE may be configured to communicate using bundled slots according to both the UE-specific bundling factor and the base station specific bundling factor.

**[0080]** FIG. 9 illustrates an example of a gNB specific slot bundling scheme, which may also be referred to as a gNB specific slot aggregation scheme, in accordance with aspects of the present disclosure.

**[0081]** As shown, in an upper half of FIG. 9 a set of unbundled slots are shown. Specifically, in the upper half of FIG. 9, a bundling factor  $K$ , which may be called a aggregation factor  $K$ , may be set to 1 which provides no bundling of slots. In this case, a downlink control burst (DLCB) may be provided with the first DL data and a uplink control burst (ULCB) and DLCB may be provided with the second DL data. Then a ULCB and DLCB may be provided followed by first UL data that also has a ULCB and DLCB. Finally, a second UL data may be provided with a ULCB. The lower half of FIG. 9 shows slot bundling, which may also be referred to as slot aggregation, in a case where the bundling factor may be set to 2. As shown a single DLCB may be provided with the combined first and second DL data shown in the upper half of FIG. 9. Then a similar ULCB and DLCB may be provided followed by the combined first and second UL data shown in the upper half of FIG. 9 that also includes a ULCB. A benefit that may be providing by bundling may include helping reduce overhead. For example, bundling may effectively lengthen the slot.

**[0082]** In accordance with one or more cases, the gNB specific slot bundling may be provided as gNB settings common to all UEs. In one or more cases, the gNB specific slot bundling may be defined as being semi-static. The bundling factor may be announced in MIB, in unit of slots. According to one or more aspects, the unit of slots choice may be limited in view of the MIB length field being limited. In one or more cases, this MIB field may be jointly coded with carrier numerology information (SCS). In one or more such cases, all combinations may not be supported.

**[0083]** In an example in accordance with one or more aspects, if a bundling factor of  $K$  is announced, slot index  $\{m \cdot K, m \cdot K + 1, \dots, m \cdot K + m - 1\}$  may be bundled together to form a bundled slot. In a case when the  $K$  bundling factor is provided with a value of '1', no slot bundling may be provided which may be considered a special case for when  $K=1$ . This case is shown in the upper half of FIG. 9 as described above. In one or more cases the bundling factor may apply to both DL and UL. According to one or more cases, defining different bundling factor for DL and UL may be less likely as it may lead to ambiguity on bundled slot boundaries. In other cases different factors may be carefully selected.

**[0084]** As shown in FIG. 9, within a bundled slot, a similar structure as a slot may be applied with a DL segment followed by a gap and a UL segment. Further as also shown, within a semi-statically bundled slot, where the slot boundary was previously provided inside the slot, no ULCB and DLCB may be provided. In accordance with one or more cases, the bundled slot may be treated as a time domain assignment unit.

**[0085]** FIG. 10 illustrates an example of a UE specific semi-static slot bundling scheme, which may also be called a semi-static slot aggregation scheme, in accordance with aspects of the present disclosure.

**[0086]** As shown in FIG. 10, in the upper half of the figure where a bundling factor  $K$  is set to 1, no bundling may be provided. In the lower half of FIG. 10, the bundling factor  $K$ , which may also be called an aggregation factor  $K$ , is set to 2 for DL of the UE specific semi-static slot bundling scheme and 1 for UL of the UE specific semi-static slot bundling scheme. Accordingly, as shown the structure of DLCBs, ULCBs, DL data, and UL data appears the same as the no bundling case shown in the upper half. In contrast, however, it can be appreciated that the DL data elements may be bundled as

indicated and may therefore carry a single transport block (TB) as shown. Said another way, slot aggregation may be implemented such that the single TB may be spread over different slots as shown.

**[0087]** In accordance with one or more cases, in a UE specific semi-static slot bundling scheme, a UE may be RRC configured to use slot bundling. Also, in accordance with one or more cases, in a UE specific semi-static slot bundling scheme, different UEs may have different settings. In one or more cases, when dynamic slot bundling is used, the bundling factor for DL and UL may be configured independently. There can be different K values for the UL and the DL.

**[0088]** In accordance with one or more aspects, for dynamic slot bundling, the ULCB and DLCB at inner slot boundary may be kept as is shown in FIG. 10. Therefore, in a UE specific semi-static slot bundling scheme, effectively the slot format may be the same as if there is no slot bundling. However, in a UE specific semi-static slot bundling scheme a single TB may fill multiple bundled slots, instead of just one TB per slot. In accordance with one or more cases, this approach can work on top of gNB specific slot bundling. For example, a UE specific semi-static slot bundling scheme can use a unit size for slots where the unit for a bundle is not defined by a slot, but rather by a gNB specific bundled slot.

**[0089]** FIG. 11 illustrates an example of a UE specific dynamic slot bundling scheme, which may also be called a dynamic slot aggregation scheme, in accordance with aspects of the present disclosure.

**[0090]** Similar to FIG. 10, FIG. 11 shows no bundling is provided in the upper half of the figure where a bundling factor K is set to 1. In the lower half of FIG. 11, the bundling factor K, which may also be called an aggregation factor K, is set to 2 for DL of the UE specific dynamic slot bundling scheme and 1 for UL of the UE specific dynamic slot bundling scheme. Accordingly, as shown the structure of DLCBs, ULCBs, DL data, and UL data appears the same as the no bundling case shown in the upper half. In contrast, however, it can be appreciated that the DL data elements may be bundled as indicated and may therefore carry a single TB as shown.

**[0091]** In accordance with one or more cases, a UE specific dynamic slot bundling may be about the same as a UE-specific semi-static slot bundling, expect that the

bundling may be dynamic. For example, in one or more cases, a downlink grant, and uplink grant, or a MAC CE may be provided as a bundling indicator. According to an example, if in DCI, a few bits in DCI may be provided to carry the bundling factor. According to one or more cases, a UE specific dynamic slot bundling scheme may be similar to multi-slot grant. Multi-slot grant may include one TB per slot, which may imply higher signaling overhead in DCI.

**[0092]** FIG. 12 illustrates an example of a first level specific bundling scheme and a second level dynamic bundling scheme, in accordance with aspects of the present disclosure. A person of ordinary skill in the art will appreciate that the first level specific bundling scheme may also be referred to as a first level specific aggregation scheme. Similarly, a person of ordinary skill in the art will appreciate that the second level dynamic bundling scheme may be referred to as a second level dynamic aggregation scheme.

**[0093]** Specifically, FIG. 12 shows an example where a bundling factor  $K$  is set to 2 for a gNB specific bundling, which may also be referred to as 1<sup>st</sup> level bundling. Additionally, FIG. 12 shows the bundling factor  $K$  is set to 2 for the UE dynamic bundling as well, which may be referred to as 2<sup>nd</sup> level bundling. Particularly, the bundling factor is set to 2 for DL and 1 for UL for the UE dynamic bundling as indicated in the lower portion of FIG. 12.

**[0094]** Looking at FIG. 12, in the upper portion of the figure a slot arrangement without bundling is shown where the bundling factor  $K$  is set to 1. As shown, first, second, third, and fourth DL data slots are shown with corresponding DLCB and ULCB elements. Also shown are first and second UL data slots that follow after the DL data slots with corresponding DLCB and ULCB elements.

**[0095]** The middle portion of FIG. 12 goes on to show an example of when the bundling factor  $K$  is set to 2 for the gNB specific bundling. As shown, a single DLCB may be provided with the combined first and second DL data. Then a ULCB may be provided followed by a DLCB provided with the combined third and fourth DL data slots. Then a similar ULCB and DLCB may be provided followed by the combined first and second UL data that also includes a ULCB.

**[0096]** The lower portion of FIG. 12 shows an example of UE specific bundling where the bundling factor is 2 for DL and 1 for UL. As shown, it can be appreciated that the slot size used by the UE specific bundling may be defined by the bundled slot of the gNB specific bundling. Thus, the structure of the UE specific bundling may be the same as the gNB specific bundling. Further, as shown in FIG. 12, the UE specific bundling provides a single TB bundled across both combined DL data slots. In one or more cases, the base station specific bundling factor defines a first bundle. Further, a time domain resource assignment unit may include one or more first bundles, as determined by the UE-specific bundling factor.

**[0097]** The methods described herein comprise one or more steps or actions for achieving the described method. The method steps and/or actions may be interchanged with one another without departing from the scope of the claims. In other words, unless a specific order of steps or actions is specified, the order and/or use of specific steps and/or actions may be modified without departing from the scope of the claims.

**[0098]** As used herein, a phrase referring to “at least one of” a list of items refers to any combination of those items, including single members. As an example, “at least one of: a, b, or c” is intended to cover a, b, c, a-b, a-c, b-c, and a-b-c, as well as any combination with multiples of the same element (e.g., a-a, a-a-a, a-a-b, a-a-c, a-b-b, a-c-c, b-b, b-b-b, b-b-c, c-c, and c-c-c or any other ordering of a, b, and c).

**[0099]** As used herein, the term “determining” encompasses a wide variety of actions. For example, “determining” may include calculating, computing, processing, deriving, investigating, looking up (e.g., looking up in a table, a database or another data structure), ascertaining and the like. Also, “determining” may include receiving (e.g., receiving information), accessing (e.g., accessing data in a memory) and the like. Also, “determining” may include resolving, selecting, choosing, establishing and the like.

**[0100]** The previous description is provided to enable any person skilled in the art to practice the various aspects described herein. Various modifications to these aspects will be readily apparent to those skilled in the art, and the generic principles defined herein may be applied to other aspects. Thus, the claims are not intended to be limited to the aspects shown herein, but is to be accorded the full scope consistent with the

language claims, wherein reference to an element in the singular is not intended to mean “one and only one” unless specifically so stated, but rather “one or more.” Unless specifically stated otherwise, the term “some” refers to one or more. All structural and functional equivalents to the elements of the various aspects described throughout this disclosure that are known or later come to be known to those of ordinary skill in the art are expressly incorporated herein by reference and are intended to be encompassed by the claims. Moreover, nothing described herein is intended to be dedicated to the public regardless of whether such disclosure is explicitly recited in the claims. No claim element is to be construed under the provisions of 35 U.S.C. §112, sixth paragraph, unless the element is expressly recited using the phrase “means for” or, in the case of a method claim, the element is recited using the phrase “step for.”

**[0101]** The various operations of methods described above may be performed by any suitable means capable of performing the corresponding functions. The means may include various hardware and/or software component(s) and/or module(s), including, but not limited to a circuit, an application specific integrated circuit (ASIC), or processor. Generally, where there are operations illustrated in figures, those operations may have corresponding counterpart means-plus-function components with similar numbering.

**[0102]** For example, means for transmitting and/or means for receiving may comprise one or more of a transmit processor 420, a TX MIMO processor 430, a receive processor 438, or antenna(s) 434 of the base station 110 and/or the transmit processor 464, a TX MIMO processor 466, a receive processor 458, or antenna(s) 452 of the user equipment 120. Additionally, means for communicating may comprise one or more processors, such as the controller/processor 440 of the base station 110 and/or the controller/processor 480 of the user equipment 120.

**[0103]** The various illustrative logical blocks, modules and circuits described in connection with the present disclosure may be implemented or performed with a general purpose processor, a digital signal processor (DSP), an application specific integrated circuit (ASIC), a field programmable gate array (FPGA) or other programmable logic device (PLD), discrete gate or transistor logic, discrete hardware components, or any combination thereof designed to perform the functions described herein. A general-purpose processor may be a microprocessor, but in the alternative, the processor may be

any commercially available processor, controller, microcontroller, or state machine. A processor may also be implemented as a combination of computing devices, e.g., a combination of a DSP and a microprocessor, a plurality of microprocessors, one or more microprocessors in conjunction with a DSP core, or any other such configuration.

**[0104]** If implemented in hardware, an example hardware configuration may comprise a processing system in a wireless node. The processing system may be implemented with a bus architecture. The bus may include any number of interconnecting buses and bridges depending on the specific application of the processing system and the overall design constraints. The bus may link together various circuits including a processor, machine-readable media, and a bus interface. The bus interface may be used to connect a network adapter, among other things, to the processing system via the bus. The network adapter may be used to implement the signal processing functions of the PHY layer. In the case of a user terminal 120 (see FIG. 1), a user interface (e.g., keypad, display, mouse, joystick, etc.) may also be connected to the bus. The bus may also link various other circuits such as timing sources, peripherals, voltage regulators, power management circuits, and the like, which are well known in the art, and therefore, will not be described any further. The processor may be implemented with one or more general-purpose and/or special-purpose processors. Examples include microprocessors, microcontrollers, DSP processors, and other circuitry that can execute software. Those skilled in the art will recognize how best to implement the described functionality for the processing system depending on the particular application and the overall design constraints imposed on the overall system.

**[0105]** If implemented in software, the functions may be stored or transmitted over as one or more instructions or code on a computer readable medium. Software shall be construed broadly to mean instructions, data, or any combination thereof, whether referred to as software, firmware, middleware, microcode, hardware description language, or otherwise. Computer-readable media include both computer storage media and communication media including any medium that facilitates transfer of a computer program from one place to another. The processor may be responsible for managing the bus and general processing, including the execution of software modules stored on the machine-readable storage media. A computer-readable storage medium may be coupled

to a processor such that the processor can read information from, and write information to, the storage medium. In the alternative, the storage medium may be integral to the processor. By way of example, the machine-readable media may include a transmission line, a carrier wave modulated by data, and/or a computer readable storage medium with instructions stored thereon separate from the wireless node, all of which may be accessed by the processor through the bus interface. Alternatively, or in addition, the machine-readable media, or any portion thereof, may be integrated into the processor, such as the case may be with cache and/or general register files. Examples of machine-readable storage media may include, by way of example, RAM (Random Access Memory), flash memory, ROM (Read Only Memory), PROM (Programmable Read-Only Memory), EPROM (Erasable Programmable Read-Only Memory), EEPROM (Electrically Erasable Programmable Read-Only Memory), registers, magnetic disks, optical disks, hard drives, or any other suitable storage medium, or any combination thereof. The machine-readable media may be embodied in a computer-program product.

**[0106]** A software module may comprise a single instruction, or many instructions, and may be distributed over several different code segments, among different programs, and across multiple storage media. The computer-readable media may comprise a number of software modules. The software modules include instructions that, when executed by an apparatus such as a processor, cause the processing system to perform various functions. The software modules may include a transmission module and a receiving module. Each software module may reside in a single storage device or be distributed across multiple storage devices. By way of example, a software module may be loaded into RAM from a hard drive when a triggering event occurs. During execution of the software module, the processor may load some of the instructions into cache to increase access speed. One or more cache lines may then be loaded into a general register file for execution by the processor. When referring to the functionality of a software module below, it will be understood that such functionality is implemented by the processor when executing instructions from that software module.

**[0107]** Also, any connection is properly termed a computer-readable medium. For example, if the software is transmitted from a website, server, or other remote source using a coaxial cable, fiber optic cable, twisted pair, digital subscriber line (DSL), or

wireless technologies such as infrared (IR), radio, and microwave, then the coaxial cable, fiber optic cable, twisted pair, DSL, or wireless technologies such as infrared, radio, and microwave are included in the definition of medium. Disk and disc, as used herein, include compact disc (CD), laser disc, optical disc, digital versatile disc (DVD), floppy disk, and Blu-ray® disc where disks usually reproduce data magnetically, while discs reproduce data optically with lasers. Thus, in some aspects computer-readable media may comprise non-transitory computer-readable media (e.g., tangible media). In addition, for other aspects computer-readable media may comprise transitory computer-readable media (e.g., a signal). Combinations of the above should also be included within the scope of computer-readable media.

**[0108]** Thus, certain aspects may comprise a computer program product for performing the operations presented herein. For example, such a computer program product may comprise a computer-readable medium having instructions stored (and/or encoded) thereon, the instructions being executable by one or more processors to perform the operations described herein. For example, instructions for performing the operations described herein and illustrated in FIG. 8.

**[0109]** Further, it should be appreciated that modules and/or other appropriate means for performing the methods and techniques described herein can be downloaded and/or otherwise obtained by a user terminal and/or base station as applicable. For example, such a device can be coupled to a server to facilitate the transfer of means for performing the methods described herein. Alternatively, various methods described herein can be provided via storage means (e.g., RAM, ROM, a physical storage medium such as a compact disc (CD) or floppy disk, etc.), such that a user terminal and/or base station can obtain the various methods upon coupling or providing the storage means to the device. Moreover, any other suitable technique for providing the methods and techniques described herein to a device can be utilized.

**[0110]** It is to be understood that the claims are not limited to the precise configuration and components illustrated above. Various modifications, changes and variations may be made in the arrangement, operation and details of the methods and apparatus described above without departing from the scope of the claims.

**CLAIMS****WHAT IS CLAIMED IS:**

1. A method for wireless communications by a user equipment (UE), comprising:  
receiving signaling indicating a multi-level bundling factor for bundling a plurality of time slots in a single assignment, each slot of the plurality of time slots having a downlink control burst (DLCB) and an uplink control burst (ULCB); and  
communicating using bundled slots according to the multi-level bundling factor as a time domain resource assignment unit.
2. The method of claim 1, wherein the signaling indicates that the multi-level bundling factor comprises at least a base station specific bundling factor for all UEs served by a same base station.
3. The method of claim 2, wherein the signaling is provided via an information block, and the base station specific bundling factor is jointly coded with other information in the information block.
4. The method of claim 1, wherein a bundled slot of the plurality of time slots has a DLCB at a beginning of the bundled slot, a ULCB at an end of the bundled slot, and a data portion with no additional uplink or downlink control bursts.
5. The method of claim 1, wherein the signaling indicates that the multi-level bundling factor comprises at least a UE-specific bundling factor.
6. The method of claim 5, wherein the UE-specific bundling factor is signaled via at least one of a semi-static signaling or a dynamic signaling.
7. The method of claim 6, wherein the signaling is a downlink grant, an uplink grant, or a medium access control (MAC) element.
8. The method of claim 6, wherein:

the UE-specific bundling factor is signaled via semi-static signaling, and there is no uplink control burst (ULCB) or downlink control burst (DLCB) on an inside slot boundary.

9. The method of claim 6, wherein the signaling provides different bundling factors for uplink-centric slots and downlink-centric slots.

10. The method of claim 5, wherein uplink control bursts (ULCBs) and downlink control bursts (DLCBs) are maintained within bundled slots.

11. The method of claim 5, wherein a single transport block is transmitted in a bundled slot.

12. The method of claim 1, wherein:

the signaling indicates that the multi-level bundling factor comprises at least a base station specific bundling factor and a UE-specific bundling factor; and

the UE is configured to communicate using bundled slots according to both the UE-specific bundling factor and the base station specific bundling factor.

13. The method of claim 12, wherein:

the base station specific bundling factor is signaled via an information block; and

the UE-specific bundling factor is signaled via at least one of a semi-static signaling or a dynamic signaling.

14. The method of claim 12, wherein:

the base station specific bundling factor defines a first bundle; and

a time domain resource assignment unit comprises one or more first bundles, as determined by the UE-specific bundling factor.

15. The method of claim 14, wherein a single transport block is transmitted in the one or more first bundles.
16. A method for wireless communications by a base station, comprising:  
providing to a user equipment (UE) signaling indicating a multi-level bundling factor for bundling a plurality of time slots in a single assignment, each slot of the plurality of time slots having a downlink control burst (DLCB) and an uplink control burst (ULCB); and  
communicating with the UE using bundled slots according to the multi-level bundling factor as a time domain resource assignment unit.
17. The method of claim 16, wherein the signaling indicates that the multi-level bundling factor comprises at least a base station specific bundling factor for all UEs served by a same base station.
18. The method of claim 17, wherein:  
the signaling is provided via an information block, and the base station specific bundling factor is jointly coded with other information in the information block.
19. The method of claim 16, wherein a bundled slot of the plurality of time slots has a DLCB at a beginning of the bundled slot, a ULCB at an end of the bundled slot, and a data portion with no additional uplink or downlink control bursts.
20. The method of claim 16, wherein the signaling indicates that the multi-level bundling factor comprises at least a UE-specific bundling factor.
21. The method of claim 20, wherein the UE-specific bundling factor is signaled via at least one of a semi-static signaling or a dynamic signaling.
22. The method of claim 21, wherein the signaling is a downlink grant, an uplink grant, or a medium access control (MAC) element.

23. The method of claim 21, wherein:  
the UE-specific bundling factor is signaled via semi-static signaling, and  
there is no uplink control burst (ULCB) or downlink control burst (DLCB) on an inside slot boundary.
24. The method of claim 21, wherein the signaling provides different bundling factors for uplink-centric slots and downlink-centric slots.
25. The method of claim 20, wherein uplink control bursts (ULCBs) and downlink control bursts (DLCBs) are maintained within bundled slots.
26. The method of claim 20, wherein a single transport block is transmitted in a bundled slot.
27. The method of claim 16, wherein:  
the signaling indicates that the multi-level bundling factor comprises at least a base station specific bundling factor and a UE-specific bundling factor.
28. The method of claim 27, wherein:  
the base station specific bundling factor is signaled via an information block;  
and  
the UE-specific bundling factor is signaled signaling via at least one of a semi-static signaling or a dynamic signaling.
29. The method of claim 27, wherein:  
the base station specific bundling factor defines a first bundle; and  
a time domain resource assignment unit comprises one or more first bundles, as determined by the UE-specific bundling factor.
30. An apparatus for wireless communications by a user equipment (UE), comprising:

means for receiving signaling indicating a multi-level bundling factor for bundling a plurality of time slots in a single assignment, each slot of the plurality of time slots having a downlink control burst (DLCB) and an uplink control burst (ULCB);  
and

means for communicating using bundled slots according to the multi-level bundling factor as a time domain resource assignment unit.

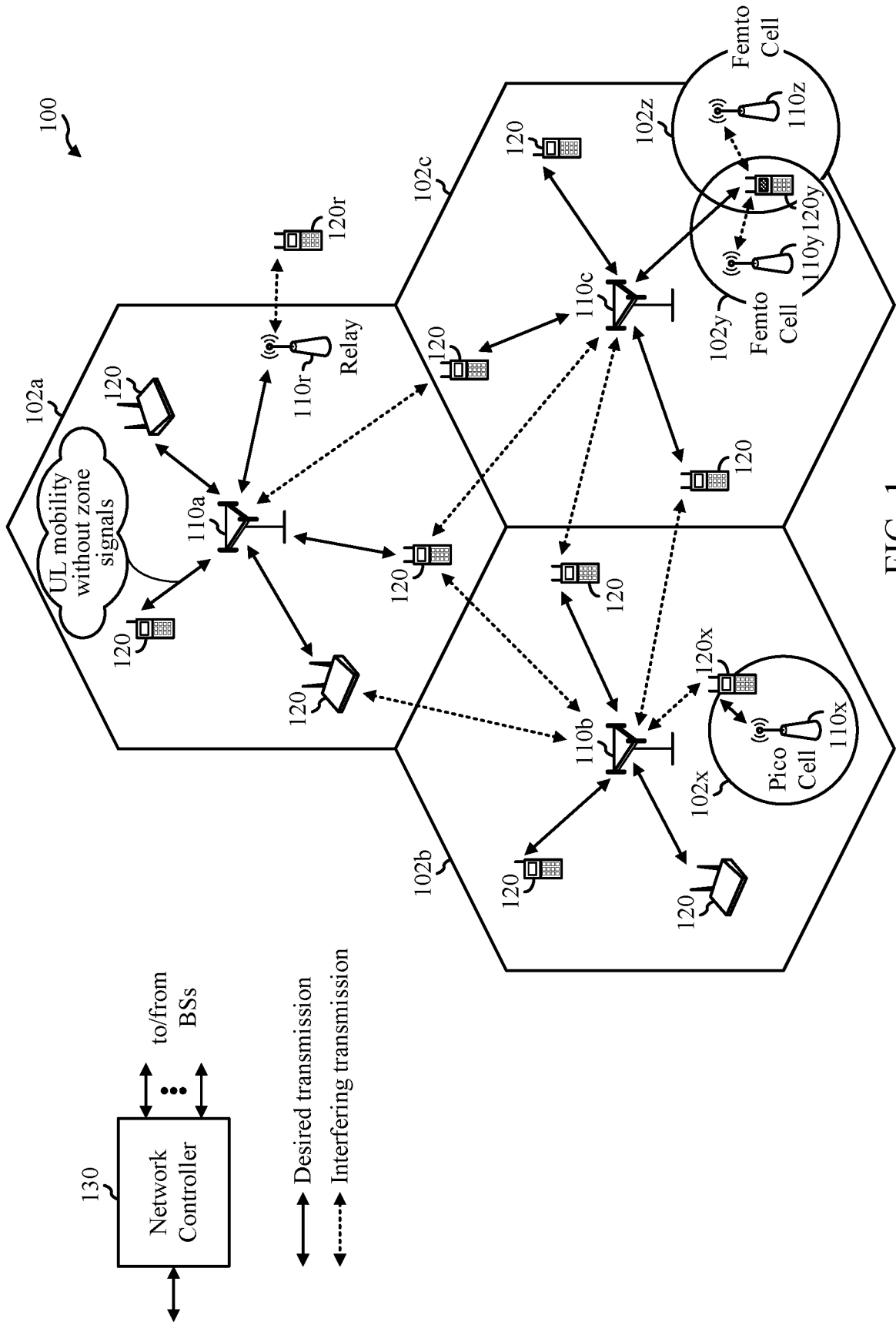


FIG. 1

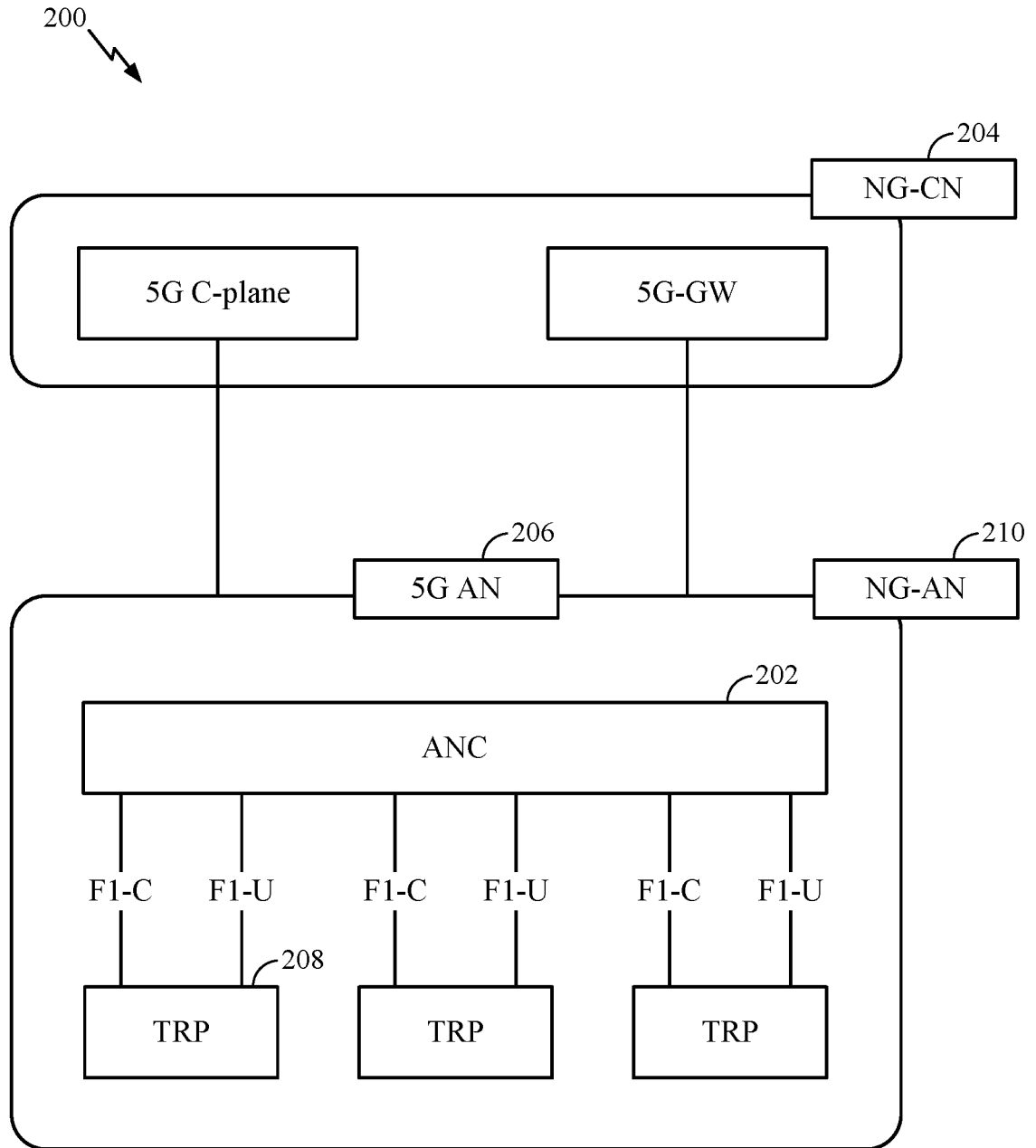


FIG. 2

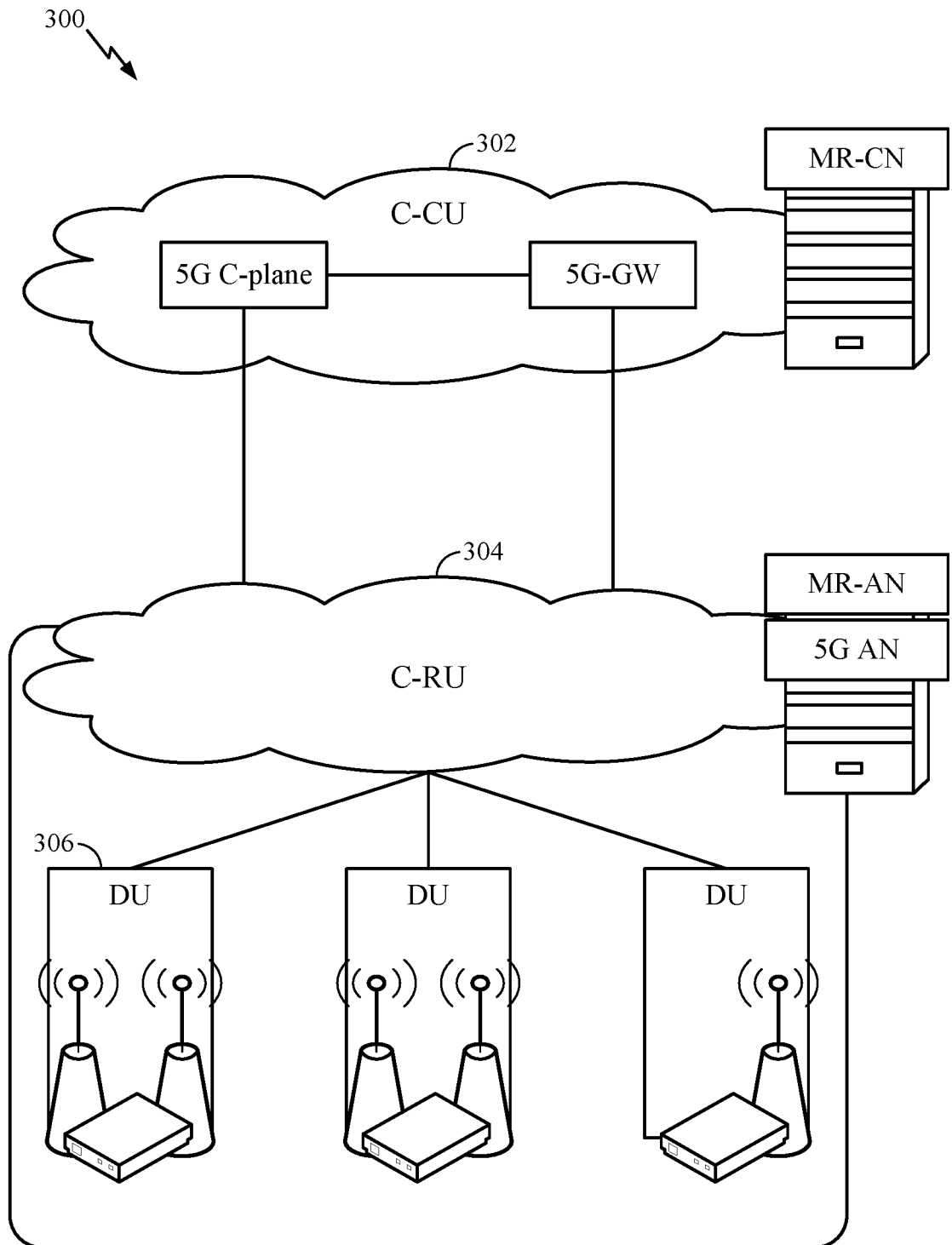


FIG. 3



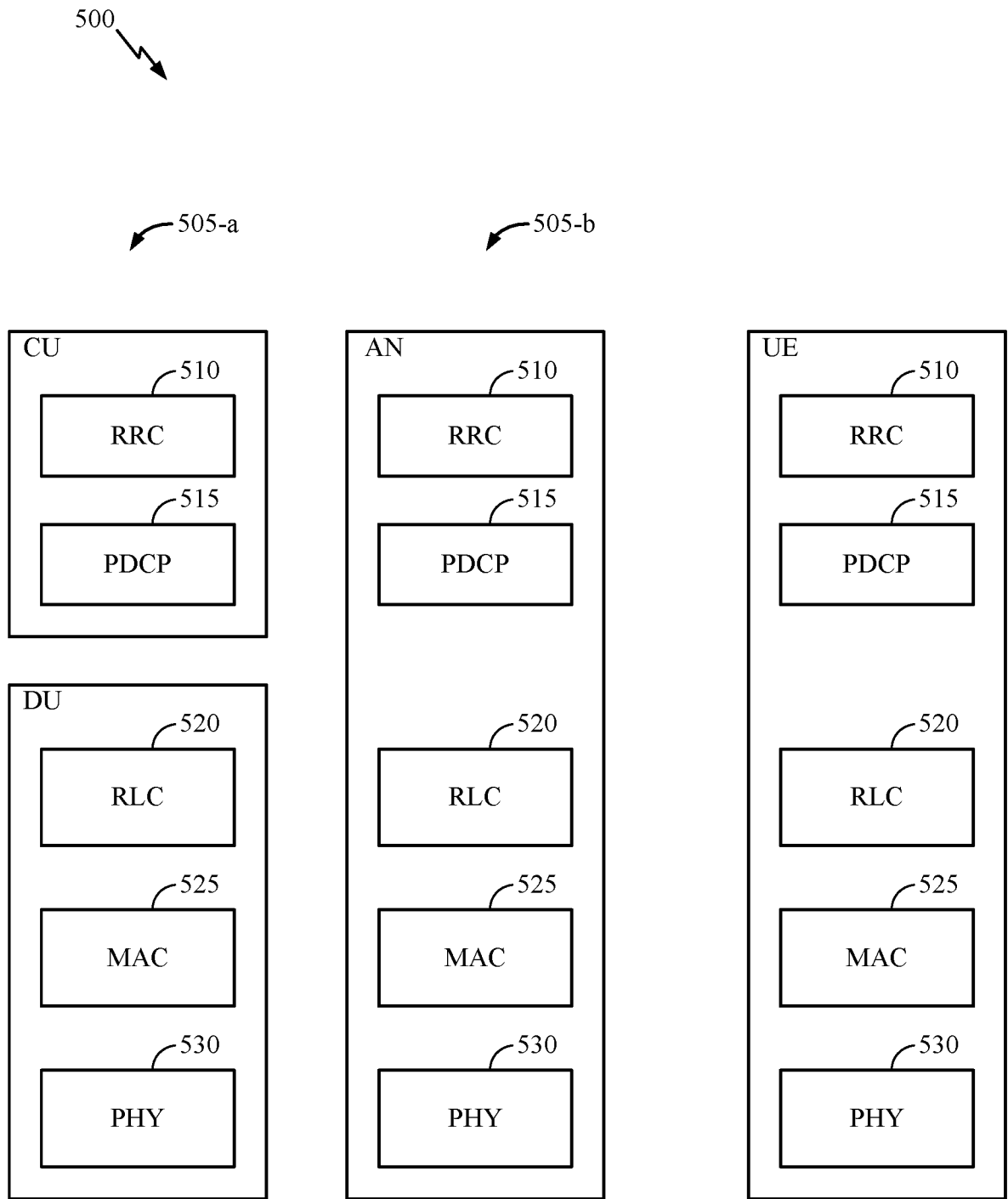


FIG. 5

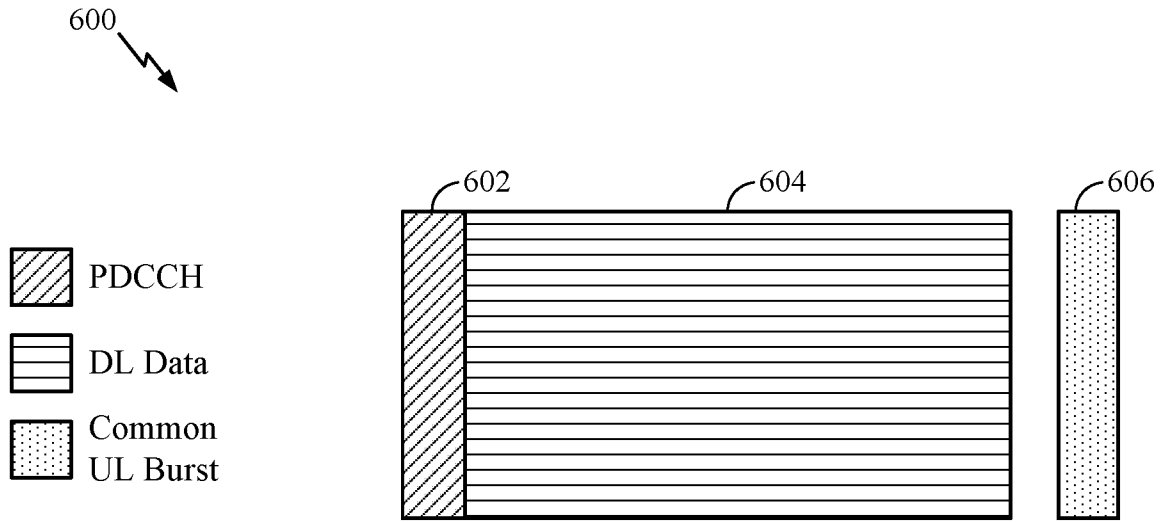


FIG. 6

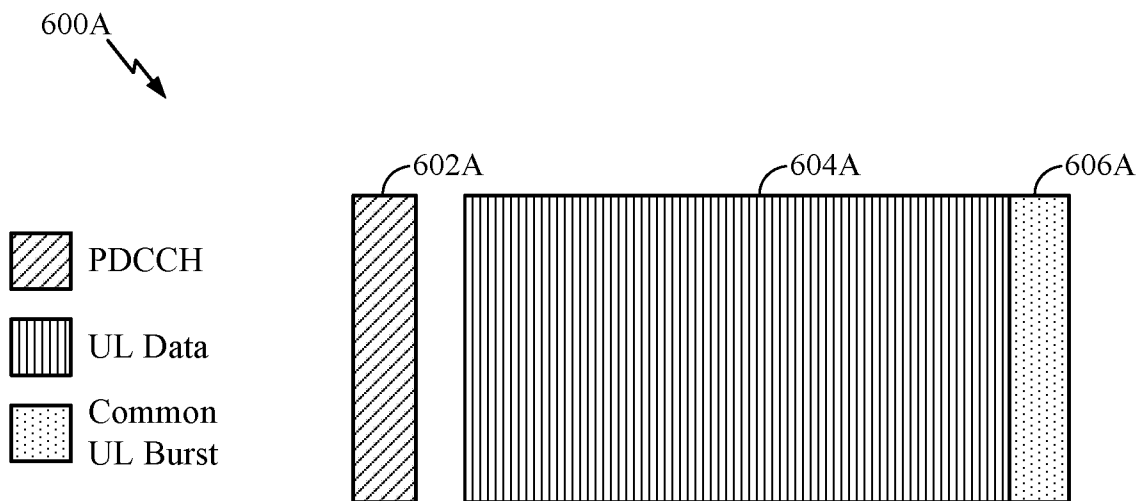


FIG. 6A

7/12

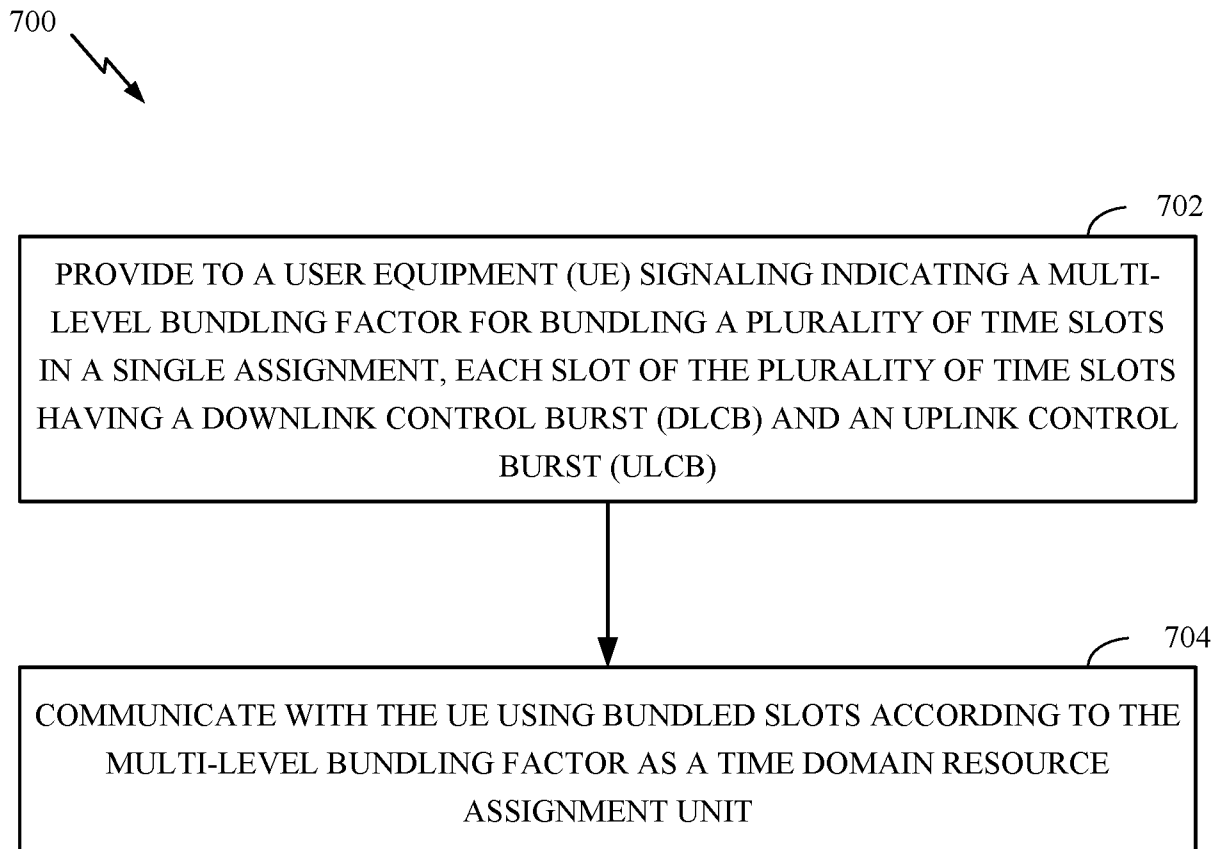


FIG. 7

8/12

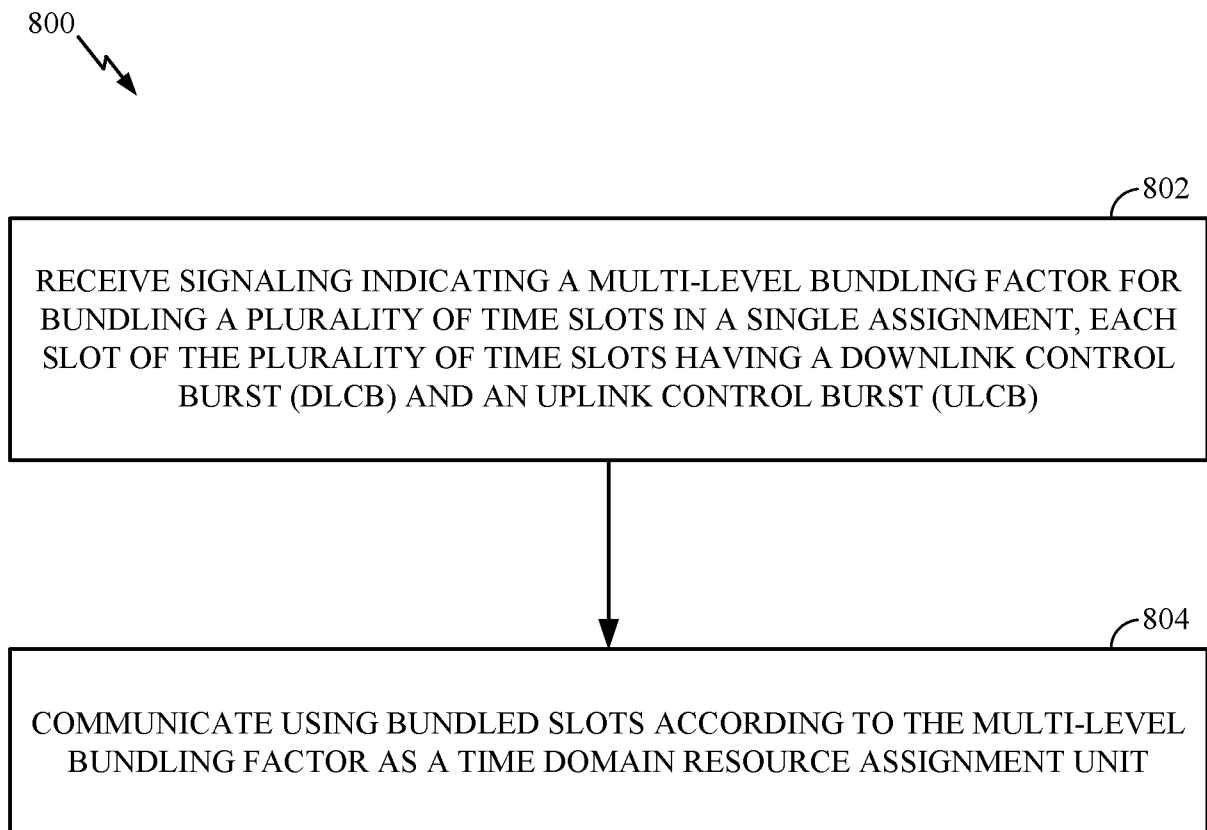


FIG. 8

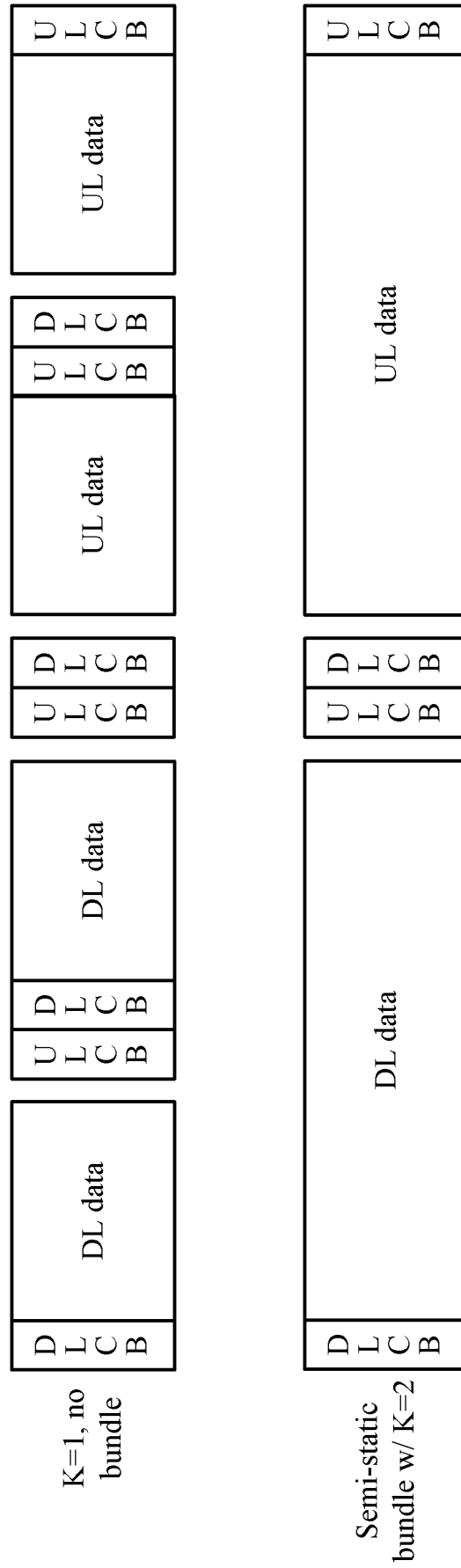


FIG. 9

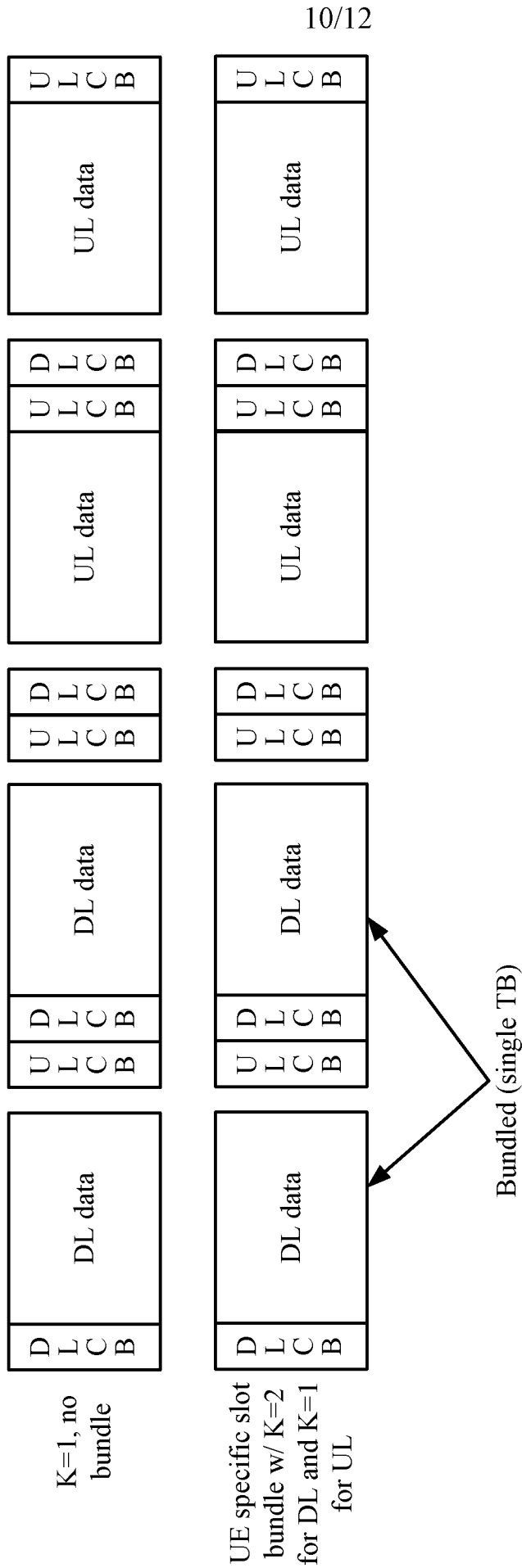


FIG. 10

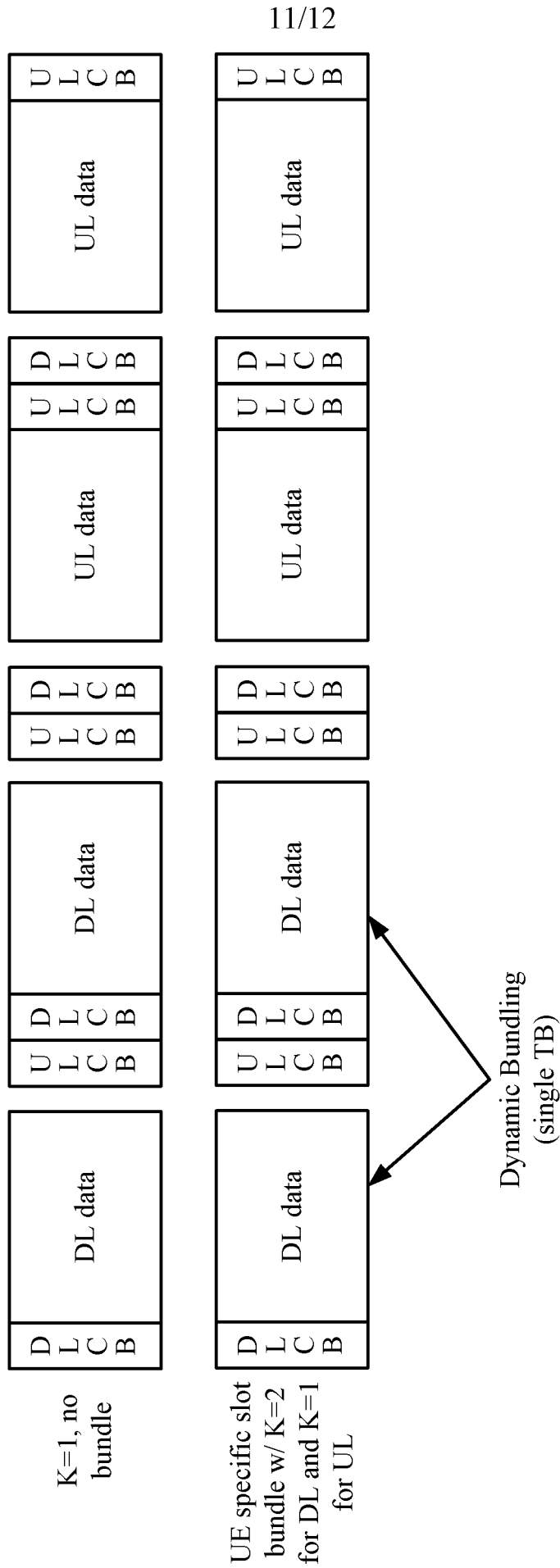


FIG. 11

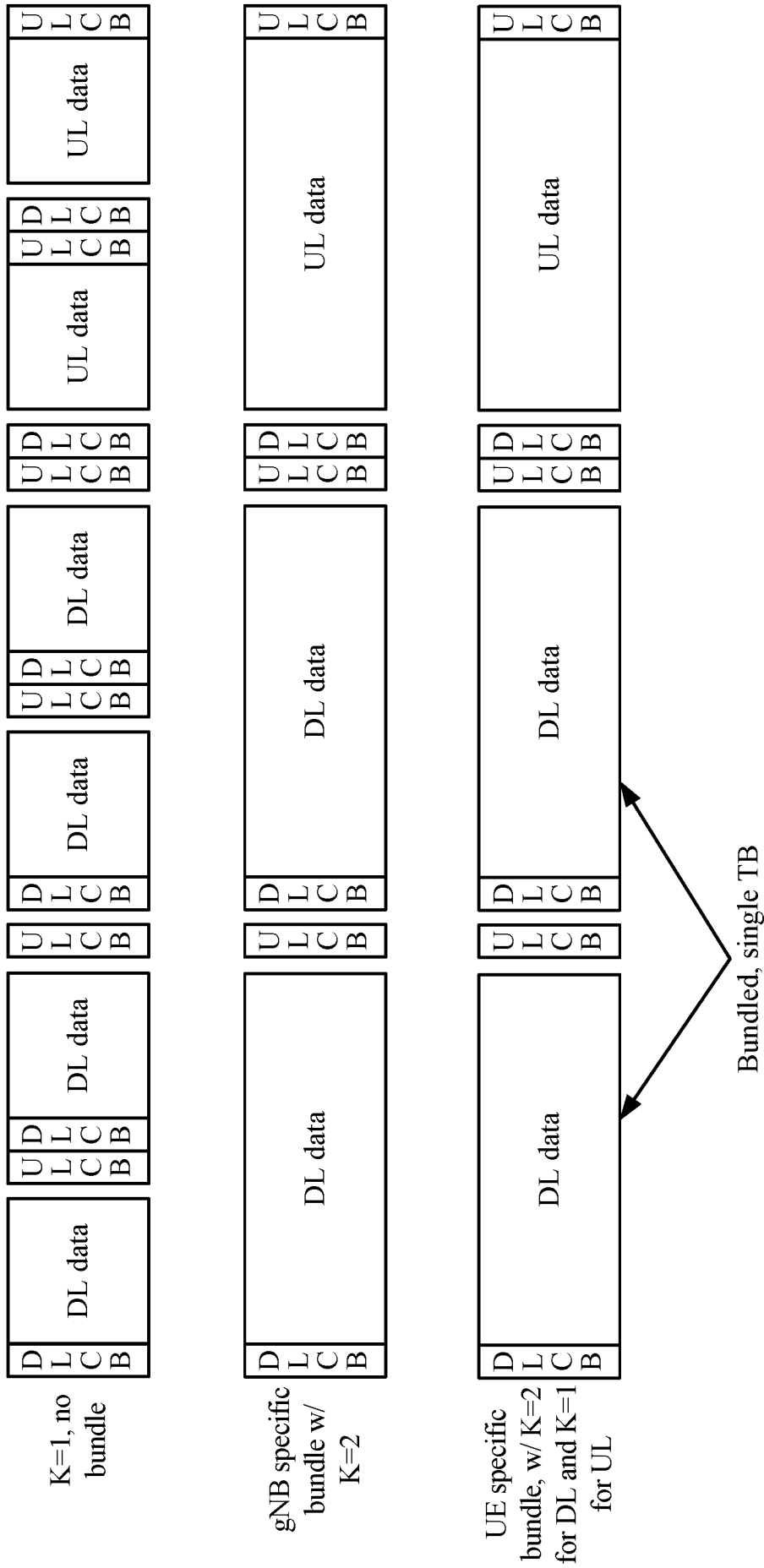


FIG. 12

INTERNATIONAL SEARCH REPORT

International application No  
PCT/US2018/017625

A. CLASSIFICATION OF SUBJECT MATTER  
INV. H04B7/26 H04L5/00 H04L5/14 H04W72/04 H04W72/12  
ADD.  
According to International Patent Classification (IPC) or to both national classification and IPC

B. FIELDS SEARCHED  
Minimum documentation searched (classification system followed by classification symbols)  
H04B H04L H04W  
Documentation searched other than minimum documentation to the extent that such documents are included in the fields searched

Electronic data base consulted during the international search (name of data base and, where practicable, search terms used)  
EPO-Internal

C. DOCUMENTS CONSIDERED TO BE RELEVANT

Category*	Citation of document, with indication, where appropriate, of the relevant passages	Relevant to claim No.
X	SAMSUNG: "Slot Aggregation in DL", 3GPP DRAFT; R1-1700962-NR SLOT AGGREGATION, 3RD GENERATION PARTNERSHIP PROJECT (3GPP), MOBILE COMPETENCE CENTRE ; 650, ROUTE DES LUCIOLES ; F-06921 SOPHIA-ANTIPOLIS CEDEX ; FRANCE  , vol. RAN WG1, no. Spokane, USA; 20170116 - 20170120 16 January 2017 (2017-01-16), XP051208478, Retrieved from the Internet: URL:http://www.3gpp.org/ftp/Meetings_3GPP_ SYNC/RAN1/Docs/ [retrieved on 2017-01-16] the whole document  -----  -/--	1-30

Further documents are listed in the continuation of Box C.

See patent family annex.

\* Special categories of cited documents :

- "A" document defining the general state of the art which is not considered to be of particular relevance
- "E" earlier application or patent but published on or after the international filing date
- "L" document which may throw doubts on priority claim(s) or which is cited to establish the publication date of another citation or other special reason (as specified)
- "O" document referring to an oral disclosure, use, exhibition or other means
- "P" document published prior to the international filing date but later than the priority date claimed

- "T" later document published after the international filing date or priority date and not in conflict with the application but cited to understand the principle or theory underlying the invention
- "X" document of particular relevance; the claimed invention cannot be considered novel or cannot be considered to involve an inventive step when the document is taken alone
- "Y" document of particular relevance; the claimed invention cannot be considered to involve an inventive step when the document is combined with one or more other such documents, such combination being obvious to a person skilled in the art
- "&" document member of the same patent family

Date of the actual completion of the international search  24 April 2018	Date of mailing of the international search report  04/05/2018
Name and mailing address of the ISA/ European Patent Office, P.B. 5818 Patentlaan 2 NL - 2280 HV Rijswijk Tel. (+31-70) 340-2040, Fax: (+31-70) 340-3016	Authorized officer  El Hajj Shehadeh, Y

## INTERNATIONAL SEARCH REPORT

International application No  
PCT/US2018/017625

C(Continuation). DOCUMENTS CONSIDERED TO BE RELEVANT		
Category*	Citation of document, with indication, where appropriate, of the relevant passages	Relevant to claim No.
X	<p>ZTE: "Consideration on forward compatibility for new radio interface", 3GPP DRAFT; R1-162223 FORWARD COMPATIBILITY, 3RD GENERATION PARTNERSHIP PROJECT (3GPP), MOBILE COMPETENCE CENTRE ; 650, ROUTE DES LUCIOLES ; F-06921 SOPHIA-ANTIPOLIS CEDEX ; FRANCE</p> <p>, vol. RAN WG1, no. Busan, Korea; 20160411 - 20160415 1 April 2016 (2016-04-01), XP051079523, Retrieved from the Internet: URL:<a href="http://www.3gpp.org/ftp/tsg_ran/WG1_RL1/TSGR1_84b/Docs/">http://www.3gpp.org/ftp/tsg_ran/WG1_RL1/TSGR1_84b/Docs/</a> [retrieved on 2016-04-01] Section 2</p> <p style="text-align: center;">-----</p>	1-30
X	<p>QUALCOMM INCORPORATED: "Slot Aggregation", 3GPP DRAFT; R1-1702638 SLOT AGGREGATION, 3RD GENERATION PARTNERSHIP PROJECT (3GPP), MOBILE COMPETENCE CENTRE ; 650, ROUTE DES LUCIOLES ; F-06921 SOPHIA-ANTIPOLIS CEDEX ; FRANCE</p> <p>, vol. RAN WG1, no. Athens, Greece; 20170213 - 20170217 7 February 2017 (2017-02-07), XP051221493, Retrieved from the Internet: URL:<a href="http://www.3gpp.org/ftp/tsg_ran/WG1_RL1/TSGR1_88/Docs/">http://www.3gpp.org/ftp/tsg_ran/WG1_RL1/TSGR1_88/Docs/</a> [retrieved on 2017-02-07] Section 3</p> <p style="text-align: center;">-----</p>	1-30
A	<p>INTEL CORPORATION: "Short UL control early in a slot", 3GPP DRAFT; R1-1700363 SHORT UL CONTROL EARLY IN A SLOT, 3RD GENERATION PARTNERSHIP PROJECT (3GPP), MOBILE COMPETENCE CENTRE ; 650, ROUTE DES LUCIOLES ; F-06921 SOPHIA-ANTIPOLIS CEDEX ; FRANCE</p> <p>, vol. RAN WG1, no. Spokane, USA; 20170116 - 20170120 16 January 2017 (2017-01-16), XP051207900, Retrieved from the Internet: URL:<a href="http://www.3gpp.org/ftp/Meetings_3GPP_SYNC/RAN1/Docs/">http://www.3gpp.org/ftp/Meetings_3GPP_SYNC/RAN1/Docs/</a> [retrieved on 2017-01-16] the whole document</p> <p style="text-align: center;">-----</p> <p style="text-align: center;">-/--</p>	1-30

## INTERNATIONAL SEARCH REPORT

International application No  
PCT/US2018/017625

C(Continuation). DOCUMENTS CONSIDERED TO BE RELEVANT		
Category*	Citation of document, with indication, where appropriate, of the relevant passages	Relevant to claim No.
A	<p>NOKIA ET AL: "On HARQ/scheduling timing and self-contained operation", 3GPP DRAFT; R1-1701019 HARQTIMING FINAL, 3RD GENERATION PARTNERSHIP PROJECT (3GPP), MOBILE COMPETENCE CENTRE ; 650, ROUTE DES LUCIOLES ; F-06921 SOPHIA-ANTIPOLIS CEDEX ; FRANCE</p> <p>, vol. RAN WG1, no. Spokane, WA, USA; 20170116 - 20170120 16 January 2017 (2017-01-16), XP051208534, Retrieved from the Internet: URL:<a href="http://www.3gpp.org/ftp/Meetings_3GPP_SYNC/RAN1/Docs/">http://www.3gpp.org/ftp/Meetings_3GPP_</a> <a href="http://www.3gpp.org/ftp/Meetings_3GPP_SYNC/RAN1/Docs/">SYNC/RAN1/Docs/</a> [retrieved on 2017-01-16] the whole document</p> <p style="text-align: center;">-----</p>	1-30