



US00D409690S

United States Patent [19]

Nielsen

[11] Patent Number: Des. 409,690

[45] Date of Patent: ** May 11, 1999

[54] RAIL ELEMENT FOR A TOY TRAIN

[75] Inventor: Per Steen Nielsen, Hvidovre, Denmark

[73] Assignee: INTERLEGO AG, Baar, Switzerland

[**] Term: 14 Years

3,597,876 8/1971 Haji 446/444

5,078,354 1/1992 Kim 446/123

5,564,962 10/1996 Nayarrete Espinosa 446/128

5,830,032 11/1998 Campbell 446/128

[21] Appl. No.: 29/095,025

[22] Filed: Oct. 14, 1998

Primary Examiner—Raphael Barkai
 Attorney, Agent, or Firm—Kane, Dalsimer, Sullivan,
 Kurucz, Levy, Eisele and Richard, LLP

[51] LOC (6) Cl. 21-01

[52] U.S. Cl. D21/564; D21/493

[58] Field of Search D21/484-505,
 D21/564; 238/10 E; 446/85, 88, 96, 102,
 104, 120-125, 128, 444, 445, 467, 476

[57] CLAIM

The ornamental design for a rail element for a toy train, as shown and described.

[56] References Cited

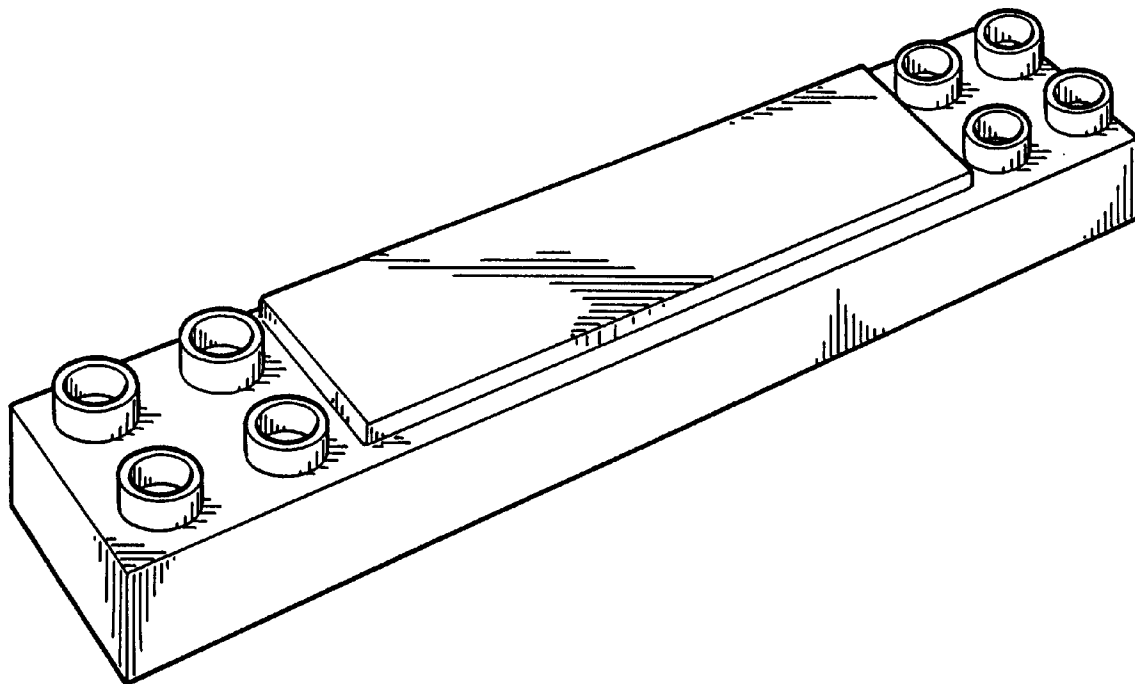
U.S. PATENT DOCUMENTS

D. 195,679	7/1963	Genin	D21/565
D. 344,310	2/1994	Ruszkai	D21/565
D. 344,992	3/1994	Ruszkai	D21/565
D. 374,258	10/1996	Schmidt et al.	D21/486
1,422,146	7/1922	Tackenberg	446/128
3,562,950	2/1971	Genin	446/444

DESCRIPTION

FIG. 1 is a top perspective view of the rail element for a toy train,
 FIG. 2 is top plan view thereof,
 FIG. 3 is a front elevational view thereof,
 FIG. 4 is a bottom plan view thereof,
 FIG. 5 is a right side elevational view thereof,
 FIG. 6 is a left side elevational view thereof,
 FIG. 7 is a rear elevational view thereof; and,
 FIG. 8 is a bottom perspective view thereof.

1 Claim, 2 Drawing Sheets



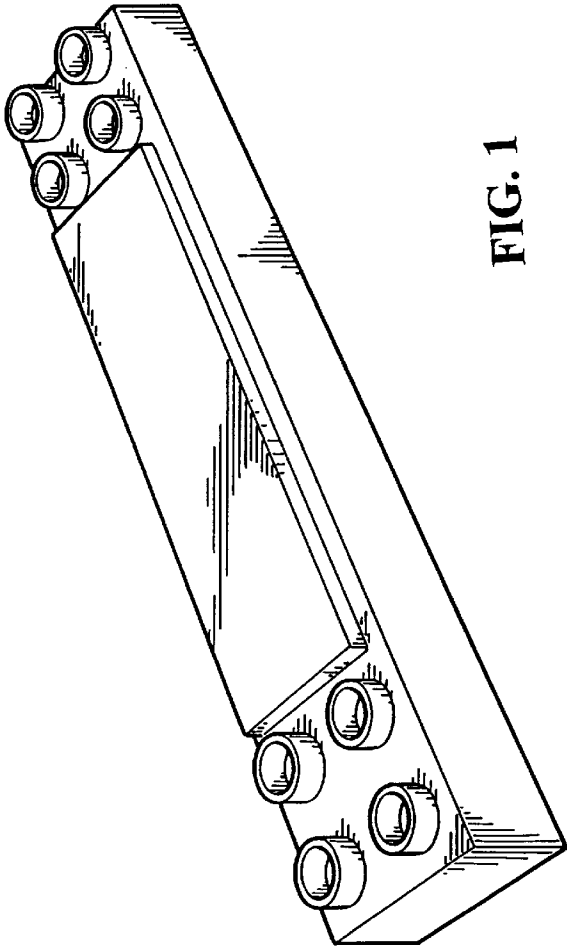


FIG. 1

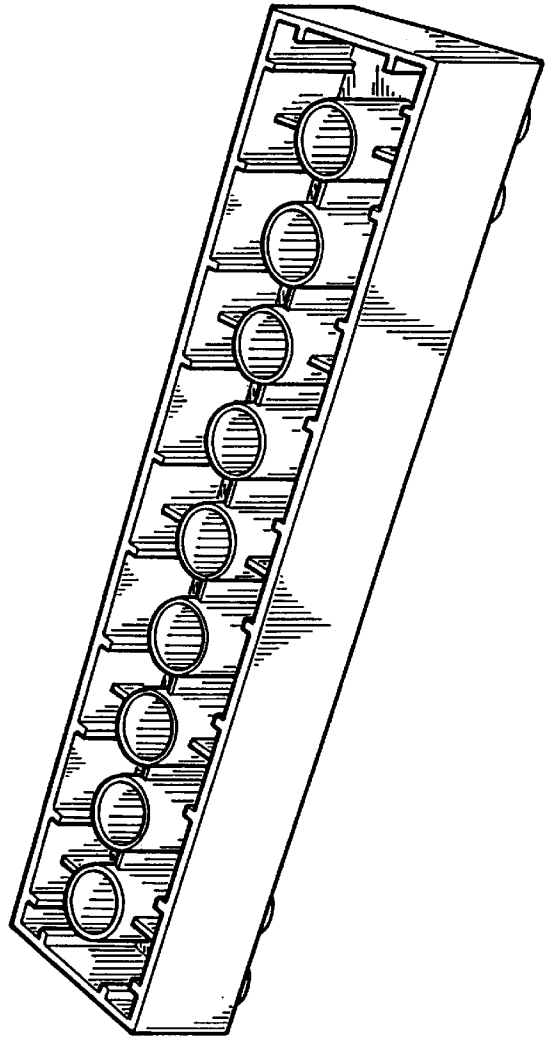


FIG. 8

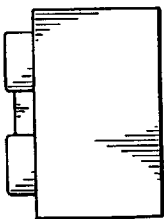
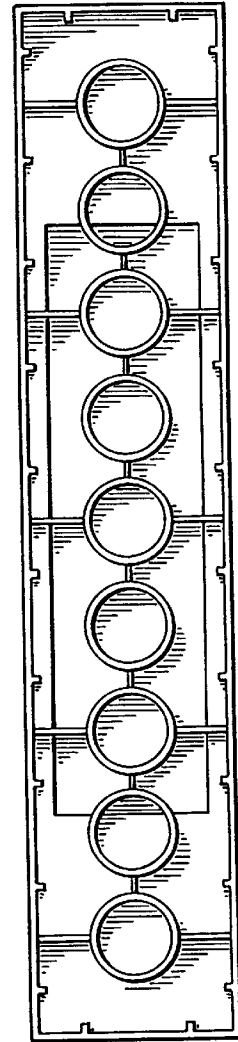
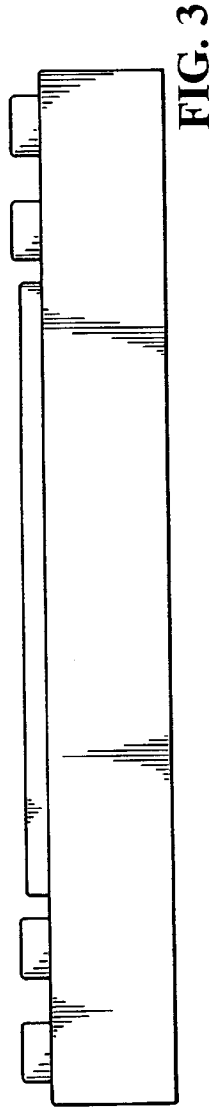
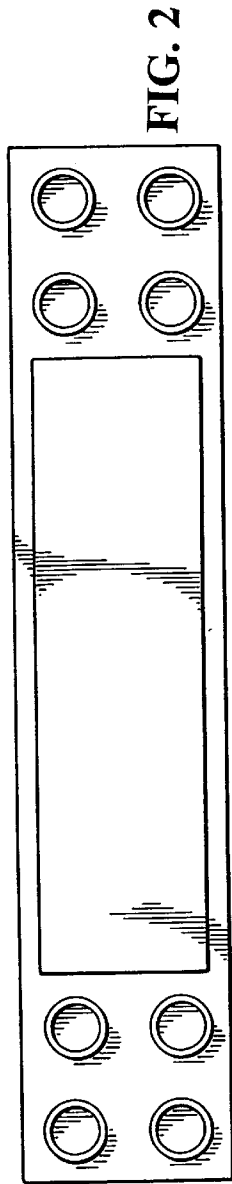
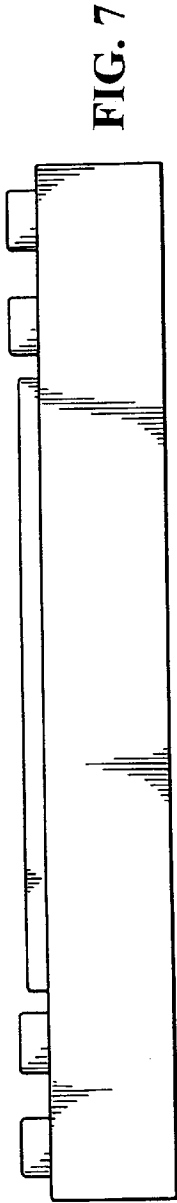


FIG. 6

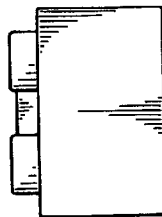


FIG. 5