



US00D613250S

(12) **United States Design Patent**  
**Barrios et al.**

(10) **Patent No.:** **US D613,250 S**

(45) **Date of Patent:** **\*\* Apr. 6, 2010**

(54) **MODULAR CONNECTOR WIRING SYSTEM**

(75) Inventors: **Philip A. Barrios**, Madison, CT (US);  
**Sorin I. Mortun**, Irvington, NY (US)

(73) Assignee: **Hubbell Incorporated**, Orange, CT (US)

(\*\*) Term: **14 Years**

(21) Appl. No.: **29/311,788**

(22) Filed: **Jun. 22, 2009**

(51) **LOC (9) Cl.** ..... **13-03**

(52) **U.S. Cl.** ..... **D13/147**

(58) **Field of Classification Search** ..... D13/133,  
D13/146-147, 153, 154, 184; 439/329, 352,  
439/353, 650, 660, 668, 677, 678, 680, 682  
See application file for complete search history.

(56) **References Cited**

U.S. PATENT DOCUMENTS

D194,501 S *	2/1963	Maurer .....	D13/147
3,963,300 A	6/1976	Patton et al.	
4,272,689 A	6/1981	Crosby et al.	
RE31,033 E	9/1982	Wilson, Jr. et al.	
4,702,538 A	10/1987	Hutter et al.	
4,927,388 A	5/1990	Gutter	
4,959,023 A	9/1990	Watanabe et al.	
4,979,912 A	12/1990	Shindo et al.	
D316,846 S	5/1991	Moriai et al.	
D333,293 S *	2/1993	Ashida .....	D13/147
D373,192 S *	8/1996	Murphy et al. ....	D24/129
6,113,435 A	9/2000	Anderson, Jr. et al.	
6,902,415 B2	6/2005	Ramsey et al.	
D510,908 S *	10/2005	Byrne .....	D13/147
7,077,708 B1	7/2006	Johnson et al.	
D563,890 S *	3/2008	Dever .....	D13/147
7,347,721 B2	3/2008	Kameyama	

D577,671 S *	9/2008	Schnitzler .....	D13/133
D583,770 S	12/2008	Ramsey	
2004/0224562 A1	11/2004	Dolinshek et al.	
2007/0270017 A1	11/2007	Hardacker et al.	

FOREIGN PATENT DOCUMENTS

JP	3089476	4/1991
JP	4244719	9/1992

\* cited by examiner

*Primary Examiner*—Daniel D Bui

(74) *Attorney, Agent, or Firm*—Jenae C. Gureff; Mark S. Bicks; Alfred N. Goodman

(57) **CLAIM**

The ornamental design for a modular connector wiring system, as shown and described.

**DESCRIPTION**

FIG. 1 is a top, front and right side perspective view of a modular connector wiring system showing my new design;

FIG. 2 is a bottom, front and left side perspective view thereof;

FIG. 3 is a bottom, rear and left side perspective view thereof;

FIG. 4 is a top plan view thereof;

FIG. 5 is a bottom plan view thereof;

FIG. 6 is a right side elevation view thereof;

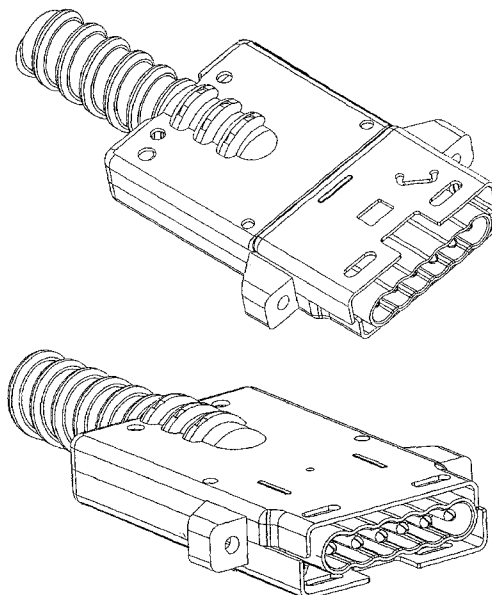
FIG. 7 is a left side elevation view thereof;

FIG. 8 is a front elevation view thereof; and,

FIG. 9 is a rear elevation view thereof.

The broken lines depict internal elements of the modular connector wiring system shown in FIGS. 8 and 9 and is unclaimed subject matter forming no part of the claimed design.

**1 Claim, 4 Drawing Sheets**



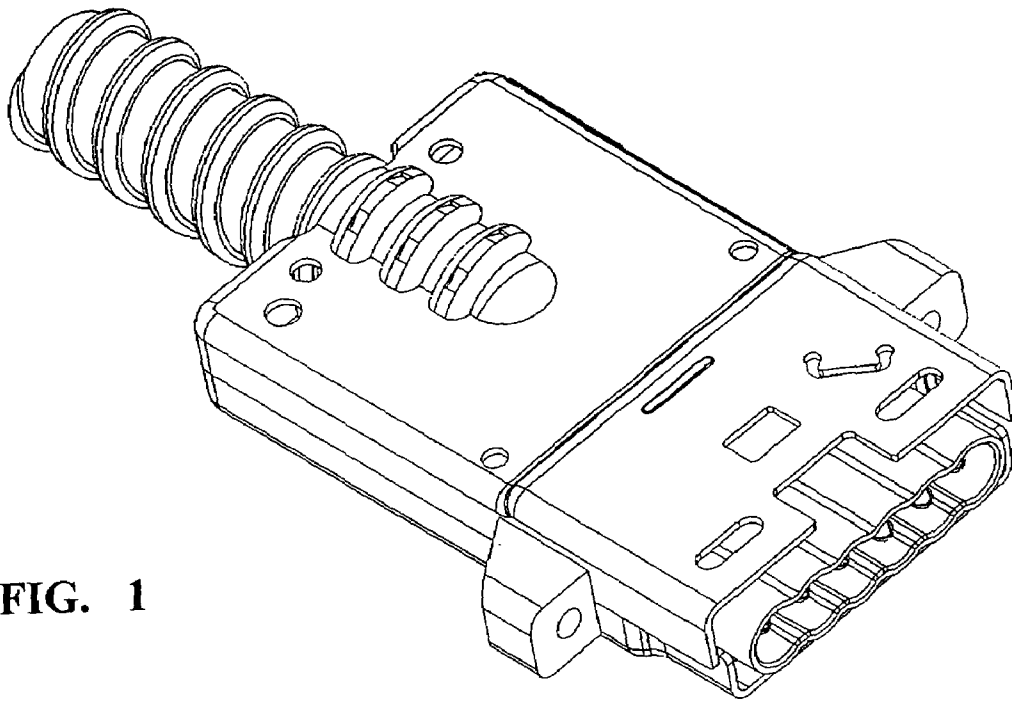


FIG. 1

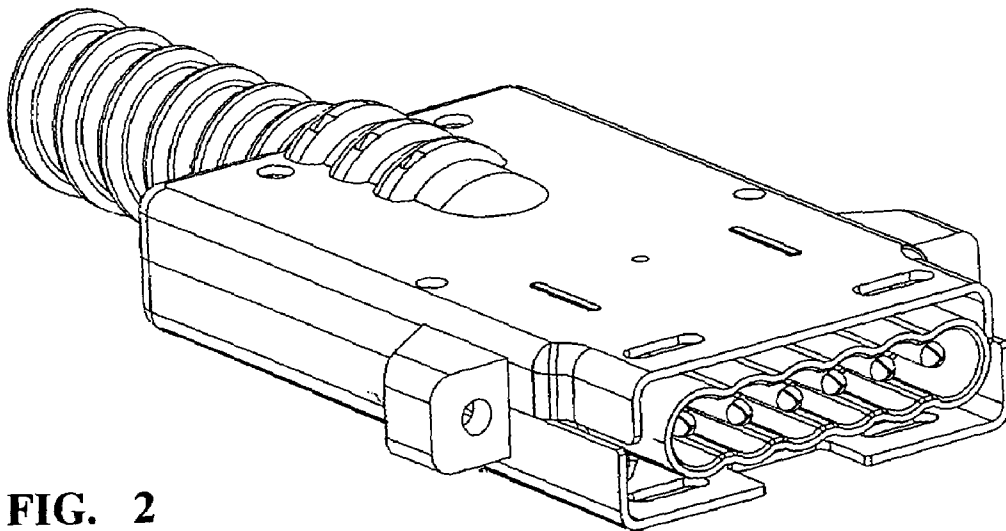


FIG. 2

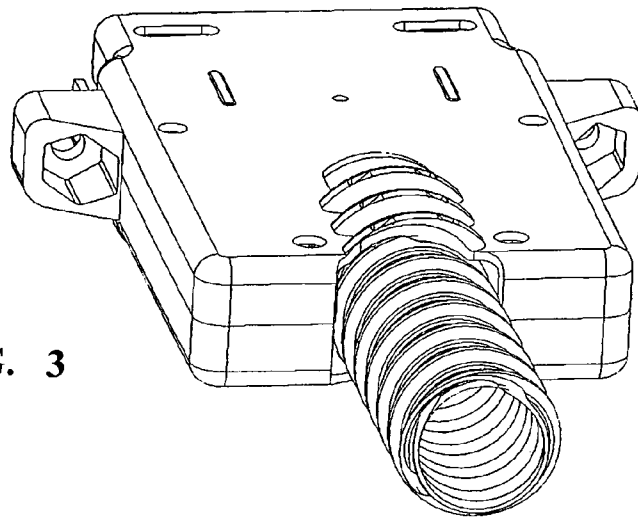


FIG. 3

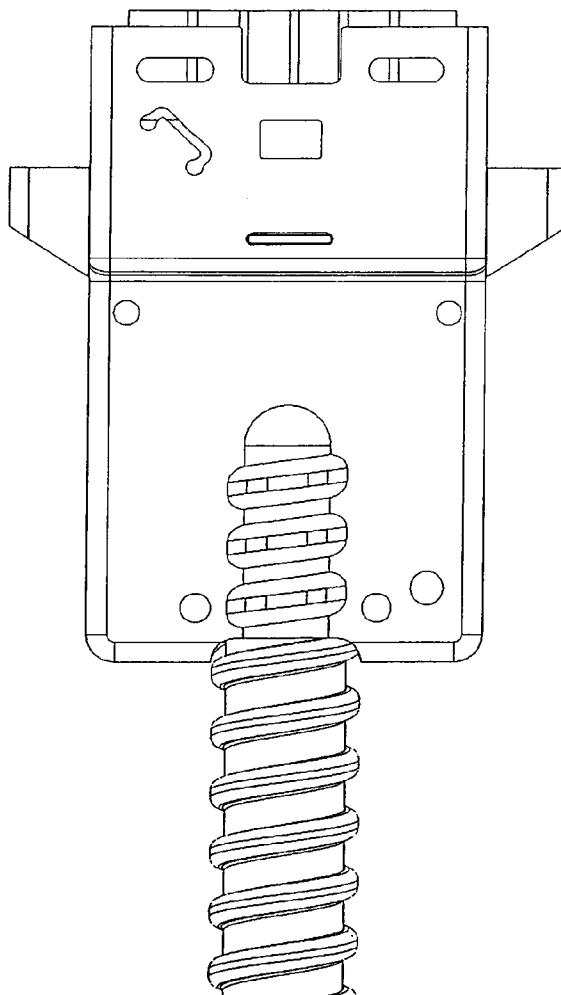


FIG. 4

FIG. 5

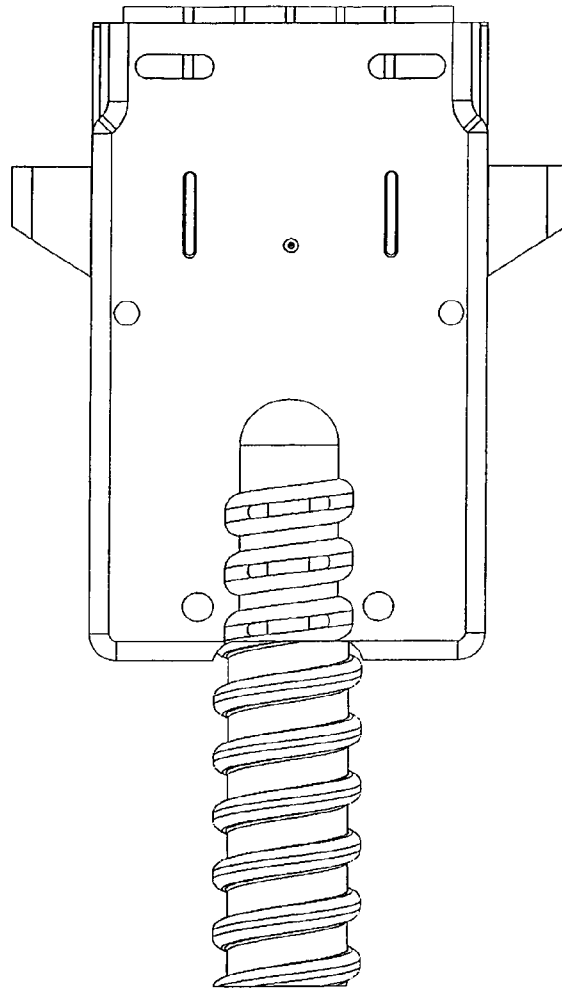


FIG. 8

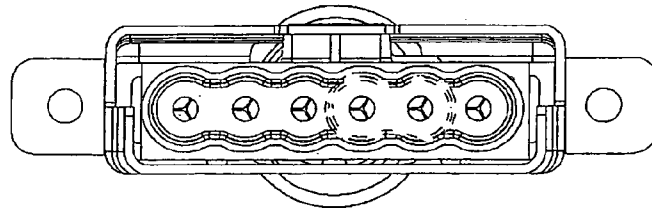


FIG. 9

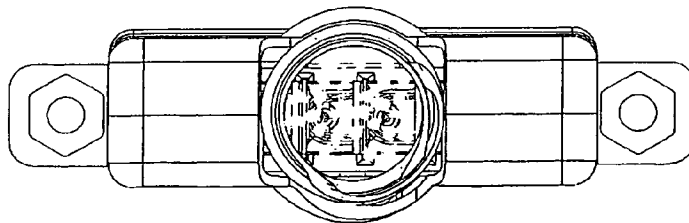


FIG. 6

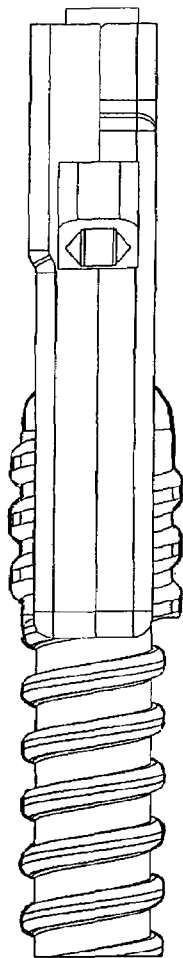


FIG. 7

