



US0D1065713S

(12) **United States Design Patent**
Liu et al.

(10) **Patent No.:** **US D1,065,713 S**
(45) **Date of Patent:** **** Mar. 4, 2025**

(54) **PET SLOW FEEDER**
(71) Applicant: **Wellfine Silicone Products Co., Ltd.**,
Dongguan (CN)
(72) Inventors: **Feng Liu**, Dongguan (CN); **Hongwei Zhang**, Dongguan (CN)
(73) Assignee: **WELLFINE SILICONE PRODUCTS CO., LTD.**, Dongguan (CN)

D616,698 S * 6/2010 Lion D7/357
D761,380 S * 7/2016 Bahadir D23/209
D856,610 S * 8/2019 Jew D30/160
D950,165 S * 4/2022 Hou D30/129
D984,058 S * 4/2023 Cao D30/130
(Continued)

FOREIGN PATENT DOCUMENTS

CN 307460045 * 7/2022
CN 307466546 * 7/2022

(**) Term: **15 Years**

OTHER PUBLICATIONS

(21) Appl. No.: **29/867,646**
(22) Filed: **Nov. 1, 2022**

Sampieri: Slow Feeder Dog Bowls, Posted Sep. 13, 2023 [online], [Retrieved Sep. 11, 2024]. Retrieved from internet, <https://www.amazon.com/Slow-Feeder-Bowls-Stainless-Steel/dp/B0CJ1ZFLFR> (Year: 2023).*

(30) **Foreign Application Priority Data**

(Continued)

Oct. 21, 2022 (CN) 202230696983.2

Primary Examiner — Mary Shannon Malley
Assistant Examiner — Jennifer B Salazar

(51) **LOC (15) CL.** **30-03**
(52) **U.S. Cl.**

(57) **CLAIM**

USPC **D30/130**; D30/129; D30/160
(58) **Field of Classification Search**
USPC D30/108, 118, 119, 121, 129, 130, 131,
D30/132, 133, 158, 160, 199; D6/349;
D7/357, 553.6–553.8, 555, 557;
D11/125, 152; D21/340, 790; D22/122;
D25/101

The ornamental design for a pet slow feeder as shown and described.

CPC .. A01K 5/0114; A01K 5/0121; A01K 5/0128;
A01K 5/0135; A01K 5/0142; A01K
7/005; A01K 7/02; A01K 15/024; A01K
31/12

DESCRIPTION

See application file for complete search history.

FIG. 1 is a perspective view of a pet slow feeder showing our new design;
FIG. 2 is another perspective view thereof;
FIG. 3 is a front elevational view thereof;
FIG. 4 is a rear elevational view thereof;
FIG. 5 is a left side elevational view thereof;
FIG. 6 is a right side elevational view thereof;
FIG. 7 is a top plan view thereof;
FIG. 8 is a bottom plan view thereof; and,
FIG. 9 is an exploded perspective view of the pet slow feeder.

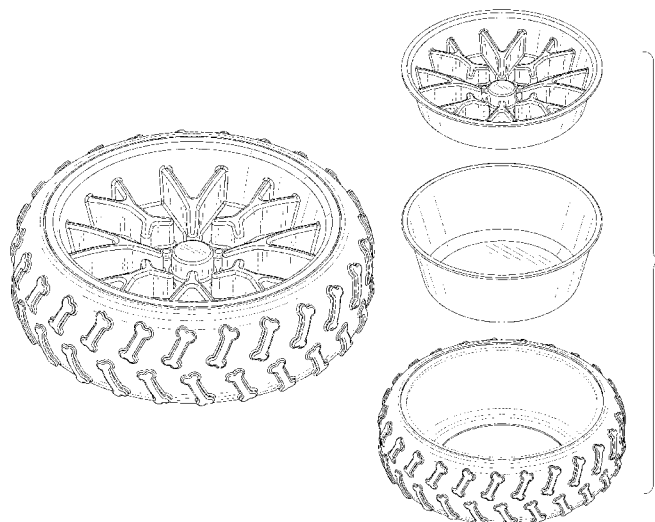
The broken lines in the drawings depict portions of the pet slow feeder that form no part of the claimed design.

(56) **References Cited**

U.S. PATENT DOCUMENTS

D67,011 S * 4/1925 Clarke D7/557
D201,670 S * 7/1965 Moore A01K 5/0114
D30/130
D236,364 S * 8/1975 Fox D11/152
D244,474 S * 5/1977 Yamazaki D30/160

1 Claim, 9 Drawing Sheets



(56)

References Cited

U.S. PATENT DOCUMENTS

D999,862 S * 9/2023 Whittle D21/790
D1,035,180 S * 7/2024 Lu D30/160
2023/0180711 A1* 6/2023 Stone A01K 5/0114
119/61.5
2023/0189754 A1* 6/2023 Stone A01K 5/0114
119/61.57

OTHER PUBLICATIONS

Wellfine Silicone: Tire Pet Bowl, Posted Jun. 28, 2022 [online],
[Retrieved Sep. 11, 2024]. Retrieved from internet, <https://www.facebook.com/wellfinesilicone/posts/pfbid0CG4epbS5QFDrbfSouWvko1KPbNSC3hkD8P4CU5JL1m4SXvPdagGAYtb6k6fCQo8KI> (Year: 2022).*

Leash Boss: Slow Feeder Dog Bowl, Posted Jan. 24, 2020 [online],
[Retrieved Sep. 21, 2024]. Retrieved from internet, <https://www.amazon.com/Leashboss-Slow-Feed-Raised-Feeders/dp/B0845XJ32Q?th=1> (Year: 2020).*

* cited by examiner

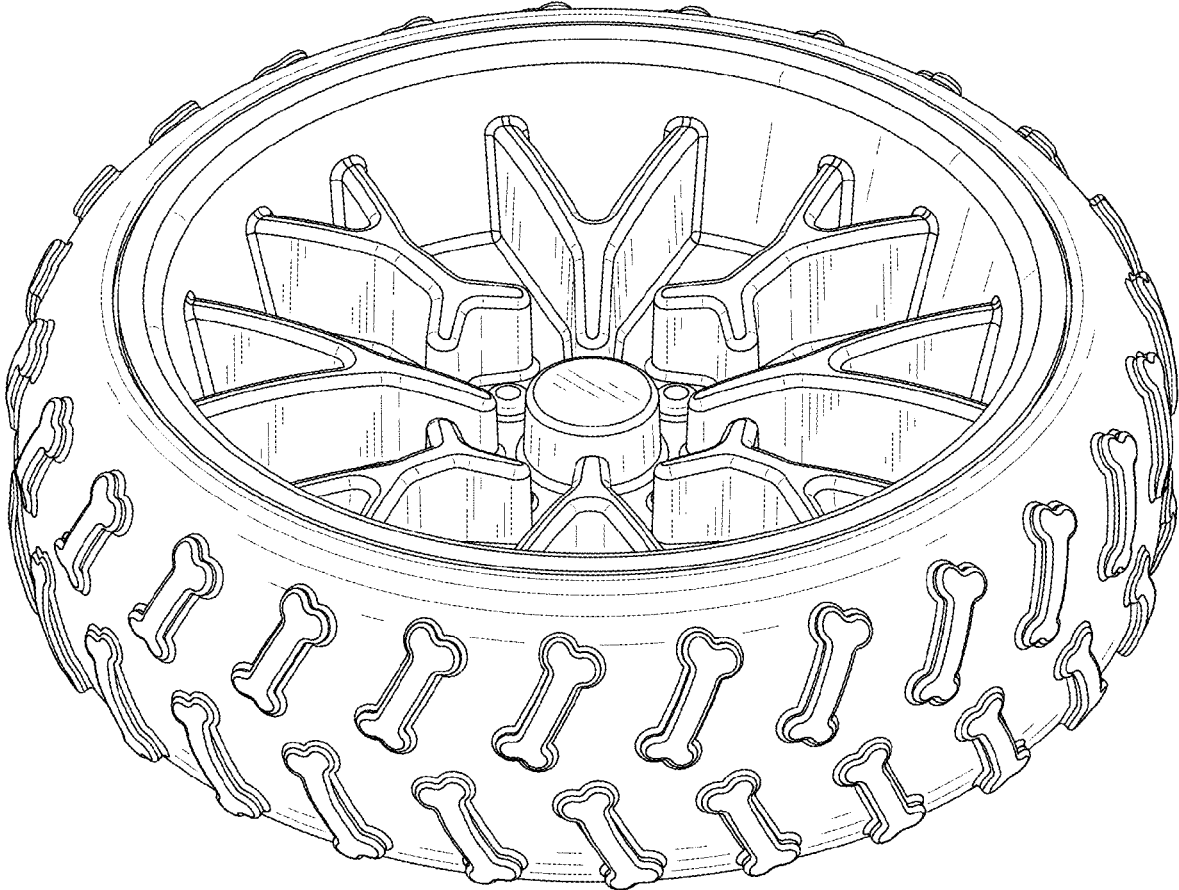


FIG. 1

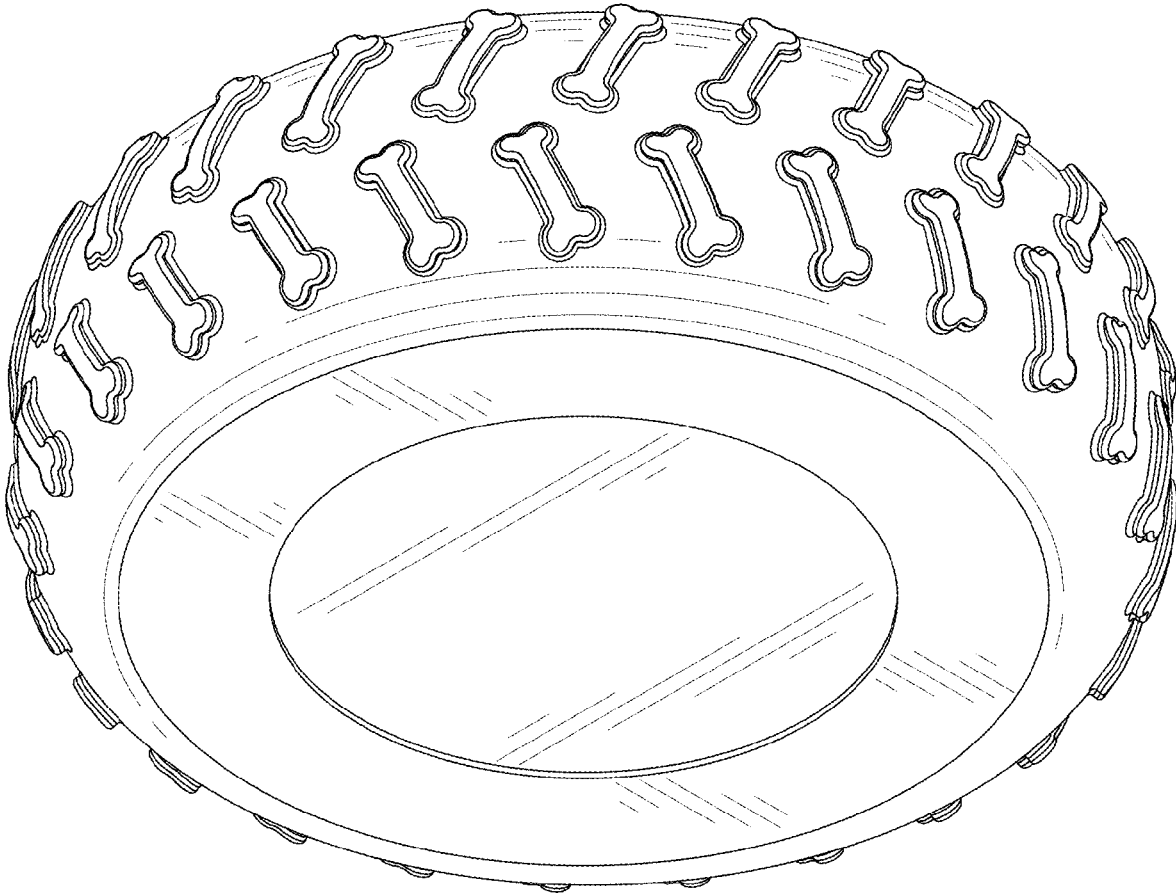


FIG. 2

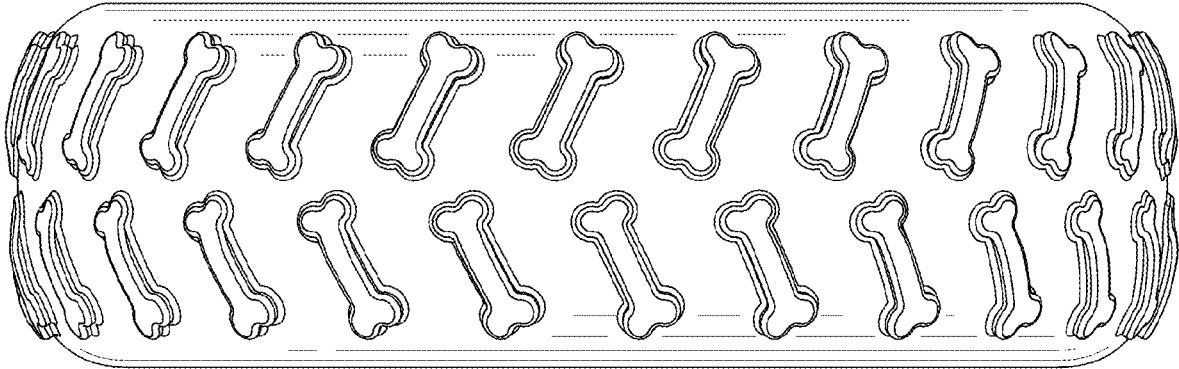


FIG. 3

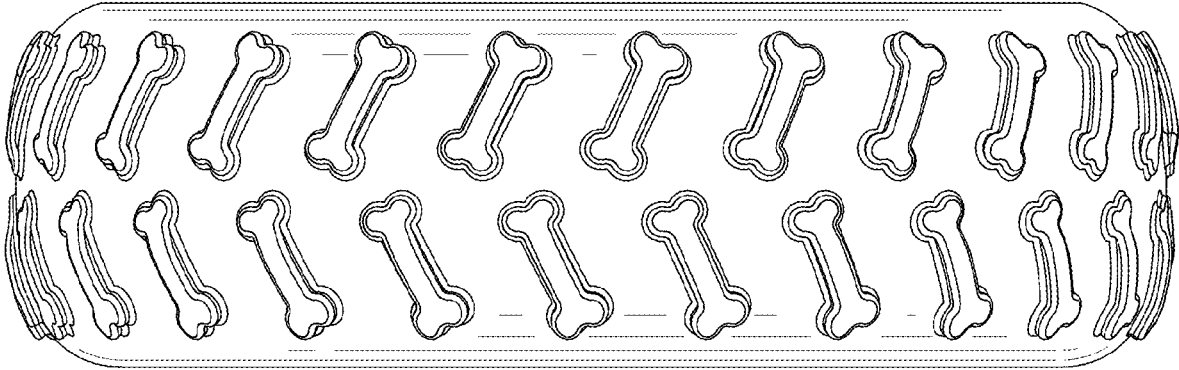


FIG. 4

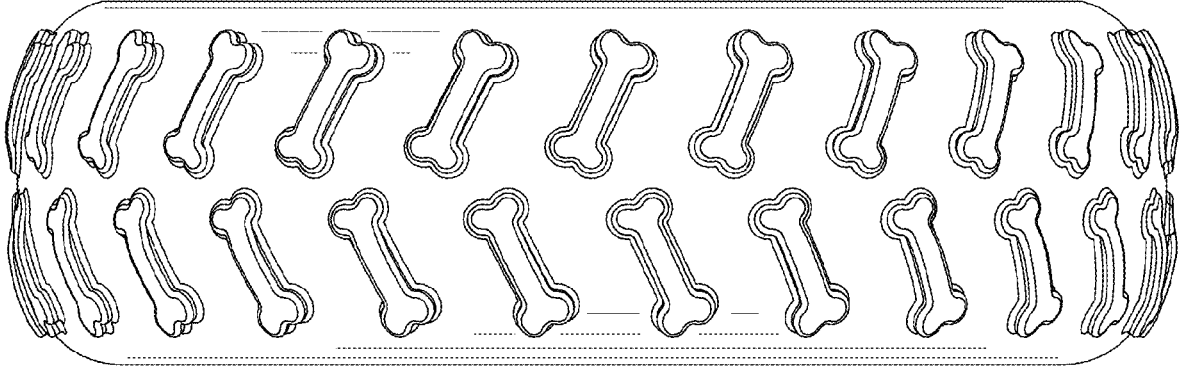


FIG. 5

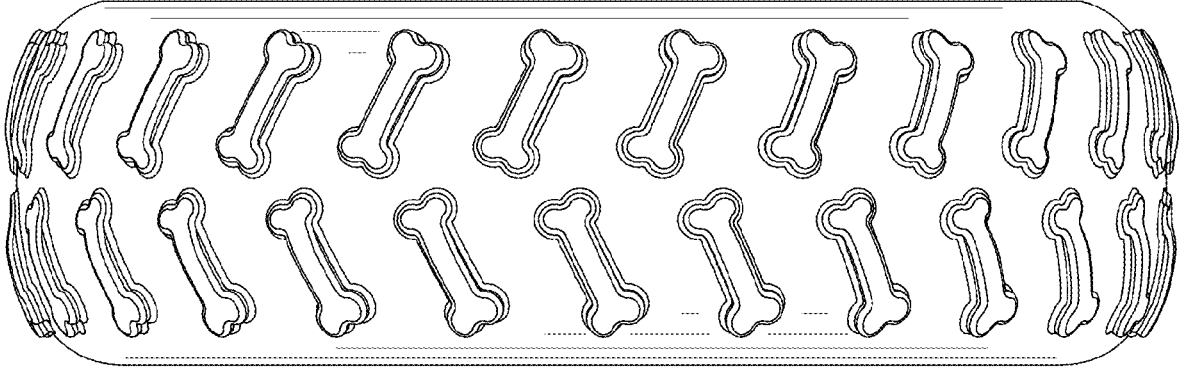


FIG. 6

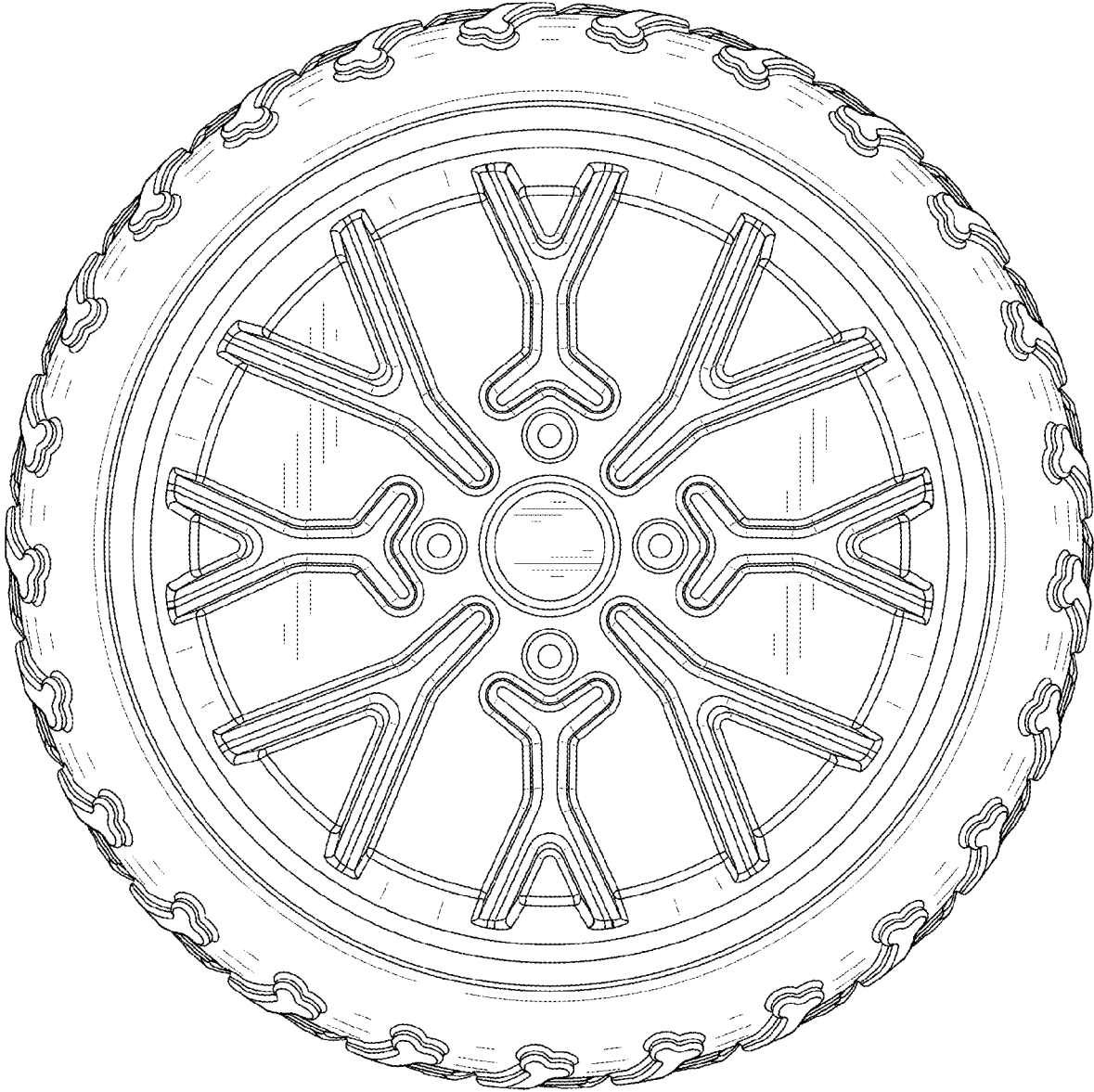


FIG. 7

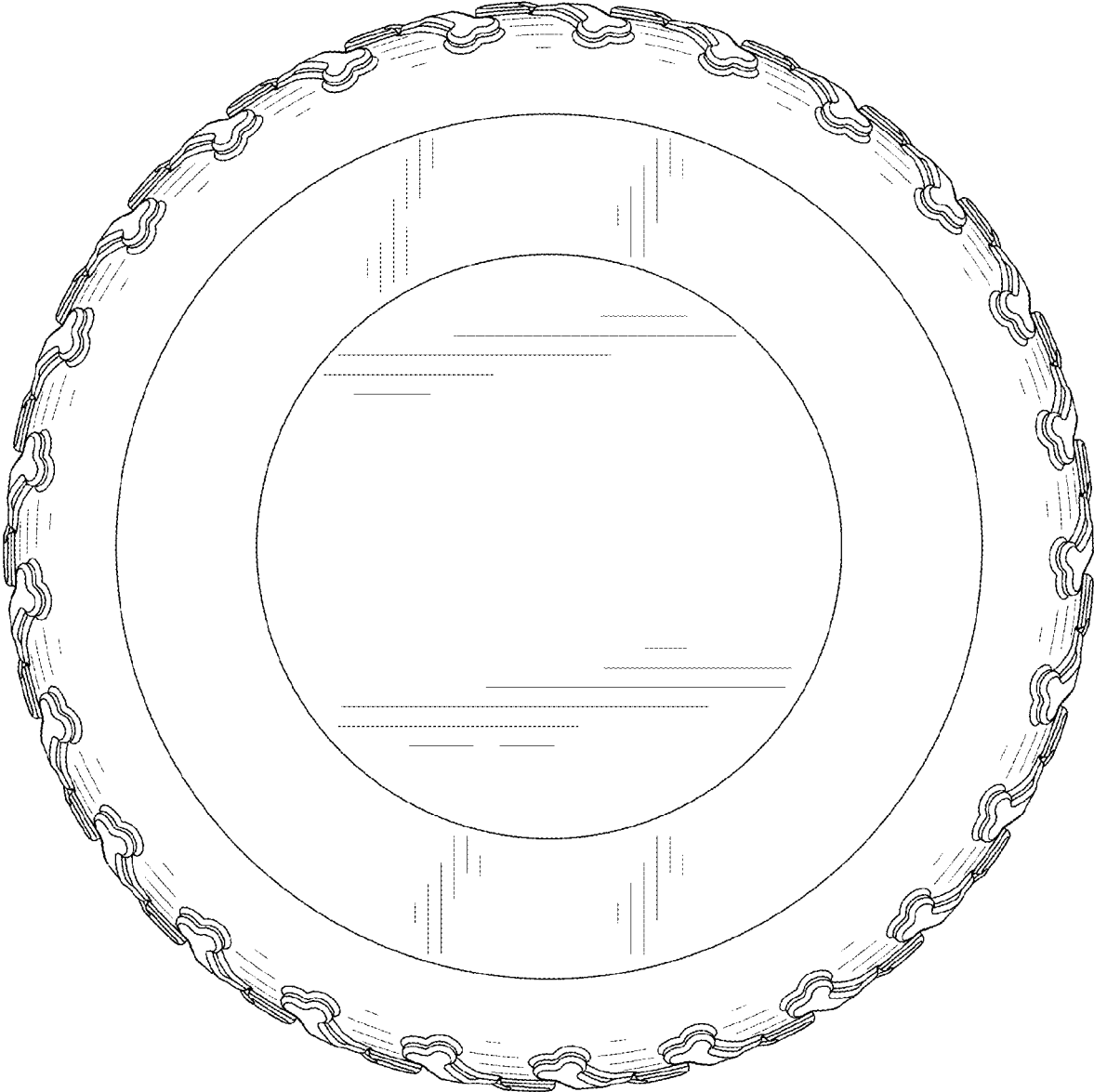


FIG. 8

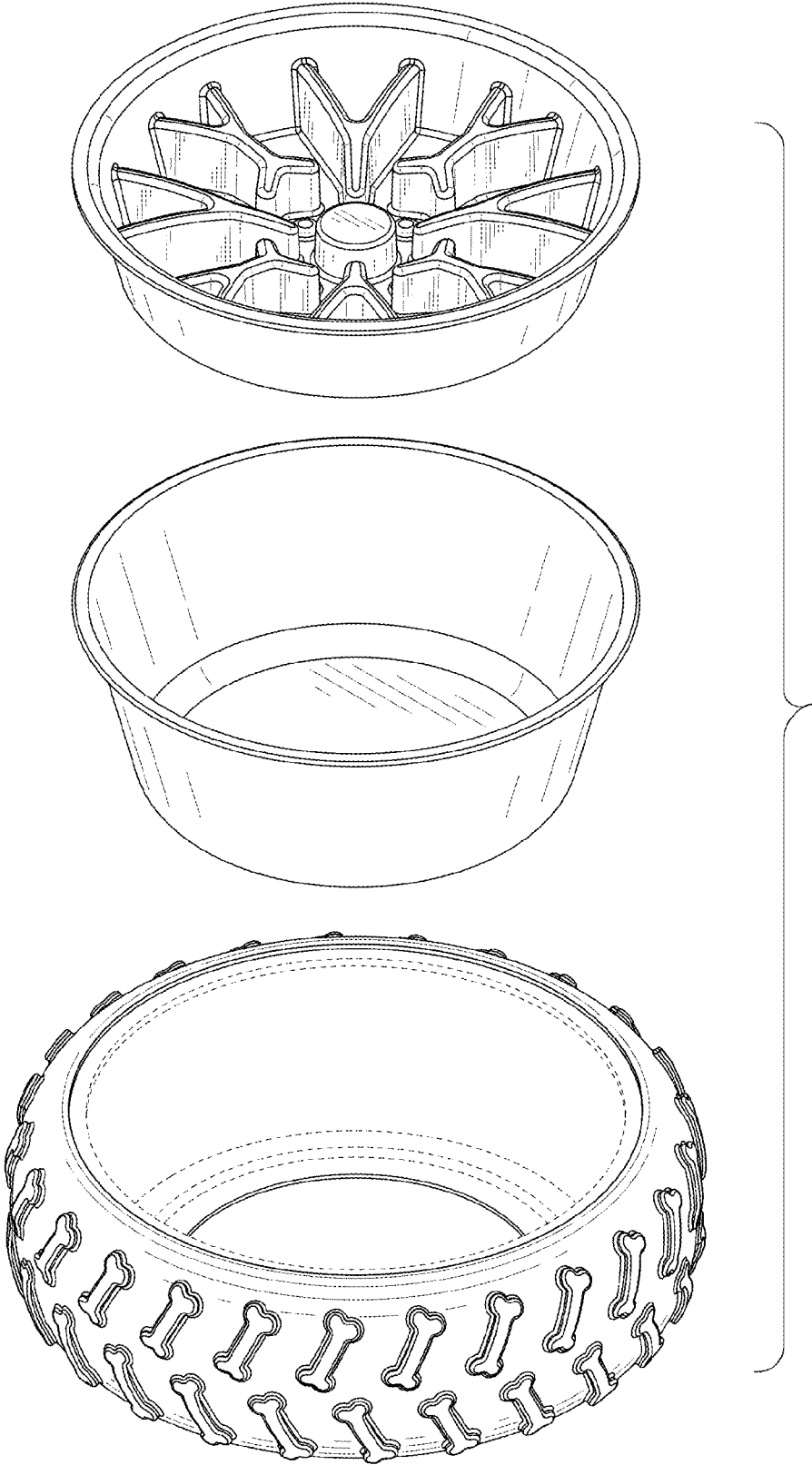


FIG. 9