

(19) World Intellectual Property Organization
International Bureau



(43) International Publication Date
19 October 2006 (19.10.2006)

PCT

(10) International Publication Number
WO 2006/110170 A3

- (51) International Patent Classification:
F03H 1/00 (2006.01)
- (21) International Application Number:
PCT/US2005/033632
- (22) International Filing Date:
21 September 2005 (21.09.2005)
- (25) Filing Language: English
- (26) Publication Language: English
- (30) Priority Data:
04292270.8 22 September 2004 (22.09.2004) EP
- (71) Applicant (for all designated States except US): **ELWING LLC** [US/US]; 1220 North Market Street, Suite 606, Wilmington, DE 19801 (US).
- (71) Applicant (for FR only): **ONERA** [FR/FR]; 29, avenue de la Division Leclerc, F-92320 Châtillon (FR).
- (72) Inventors; and
- (75) Inventors/Applicants (for US only): **EMSELLEM, Grégoire** [FR/FR]; 55, rue Jean Roger Thorelle, F-92340 Bourg La Reine (FR). **LARIGALDIE, Serge** [FR/FR]; c/o Onera, 29, avenue de la Division Leclerc, F-92320 Châtillon (FR).
- (74) Agents: **FALCOFF, Monte, L.** et al.; Harness, Dickey & Pierce, P.L.C., P.O. Box 828, Bloomfield Hills, MI 48303 (US).
- (81) Designated States (unless otherwise indicated, for every kind of national protection available): AE, AG, AL, AM,

AT, AU, AZ, BA, BB, BG, BR, BW, BY, BZ, CA, CH, CN, CO, CR, CU, CZ, DE, DK, DM, DZ, EC, EE, EG, ES, FI, GB, GD, GE, GH, GM, HR, HU, ID, IL, IN, IS, JP, KE, KG, KM, KP, KR, KZ, LC, LK, LR, LS, LT, LU, LV, LY, MA, MD, MG, MK, MN, MW, MX, MZ, NA, NG, NI, NO, NZ, OM, PG, PH, PL, PT, RO, RU, SC, SD, SE, SG, SK, SL, SM, SY, TJ, TM, TN, TR, TT, TZ, UA, UG, US, UZ, VC, VN, YU, ZA, ZM, ZW.

(84) Designated States (unless otherwise indicated, for every kind of regional protection available): ARIPO (BW, GH, GM, KE, LS, MW, MZ, NA, SD, SL, SZ, TZ, UG, ZM, ZW), Eurasian (AM, AZ, BY, KG, KZ, MD, RU, TJ, TM), European (AT, BE, BG, CH, CY, CZ, DE, DK, EE, ES, FI, FR, GB, GR, HU, IE, IS, IT, LT, LU, LV, MC, NL, PL, PT, RO, SE, SI, SK, TR), OAPI (BF, BJ, CF, CG, CI, CM, GA, GN, GQ, GW, ML, MR, NE, SN, TD, TG).

Declaration under Rule 4.17:

— of inventorship (Rule 4.17(iv))

Published:

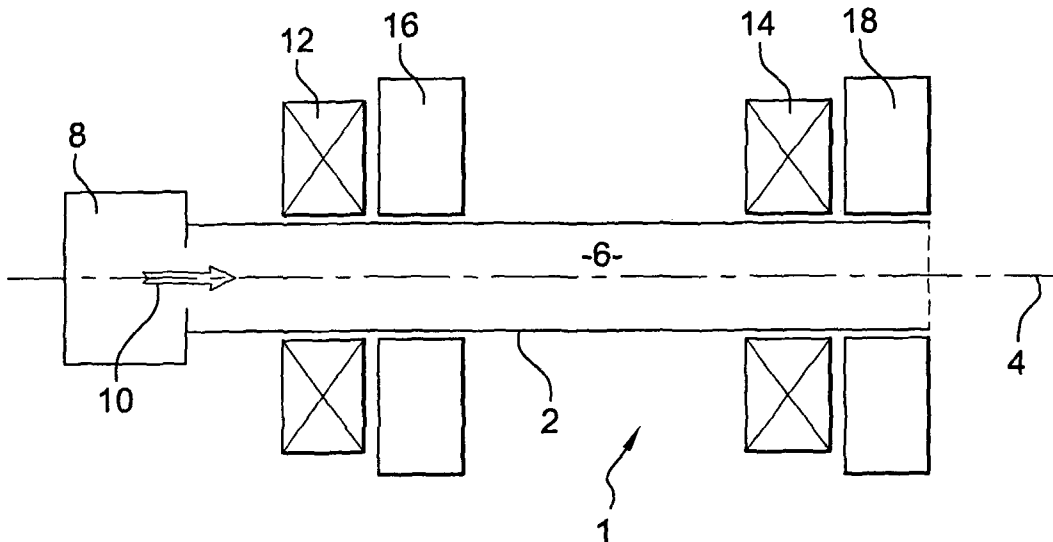
— with international search report
— before the expiration of the time limit for amending the claims and to be republished in the event of receipt of amendments

(88) Date of publication of the international search report:

5 April 2007

[Continued on next page]

(54) Title: SPACECRAFT THRUSTER



(57) Abstract: A thruster (1) has a main chamber (6) defined within a tube (2). The tube has a longitudinal axis which defines an axis (4) of thrust; an injector (8) injects ionizable gas within the tube, at one end of the main chamber. An ionizer (12, 14) is adapted to ionize the injected gas within the main chamber (6). A first magnetic field generator (12, 14) and an electromagnetic field generator (16, 18) are adapted to generate a magnetized ponderomotive accelerating field downstream of said ionizer (12, 14) along the direction of thrust on said axis (4). The thruster (1) ionizes the gas, and subsequently accelerates both electrons and ions by the magnetized ponderomotive force.

WO 2006/110170 A3



For two-letter codes and other abbreviations, refer to the "Guidance Notes on Codes and Abbreviations" appearing at the beginning of each regular issue of the PCT Gazette.

INTERNATIONAL SEARCH REPORT

International application No.

PCT/US05/33632

A. CLASSIFICATION OF SUBJECT MATTER
 IPC: **F03H 1/00(2006.01)**

USPC: 60/202
 According to International Patent Classification (IPC) or to both national classification and IPC

B. FIELDS SEARCHED

Minimum documentation searched (classification system followed by classification symbols)
 U.S. : 60/202

Documentation searched other than minimum documentation to the extent that such documents are included in the fields searched

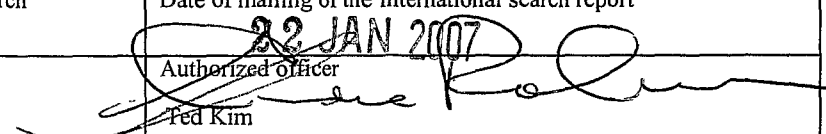
Electronic data base consulted during the international search (name of data base and, where practicable, search terms used)

C. DOCUMENTS CONSIDERED TO BE RELEVANT

Category *	Citation of document, with indication, where appropriate, of the relevant passages	Relevant to claim No.
X --- Y	US 6,523,338 B1 (KORNFELD ET AL) 25 FEBRUARY 2003 (25.02.2003), SEE ENTIRE DOCUMENT.	1-71 ----- 1-71
Y	US 3,535,586 A (SABOL) 20 OCTOBER 1970 (20.10.1970), SEE ENTIRE DOCUMENT.	1-71
Y	US 6,612,105 B1 (VOIGT ET AL) 02 SEPTEMBER 2003 (02.09.2003), SEE ENTIRE DOCUMENT.	1-71

Further documents are listed in the continuation of Box C. See patent family annex.

* Special categories of cited documents:	"T"
"A" document defining the general state of the art which is not considered to be of particular relevance	later document published after the international filing date or priority date and not in conflict with the application but cited to understand the principle or theory underlying the invention
"E" earlier application or patent published on or after the international filing date	"X" document of particular relevance; the claimed invention cannot be considered novel or cannot be considered to involve an inventive step when the document is taken alone
"L" document which may throw doubts on priority claim(s) or which is cited to establish the publication date of another citation or other special reason (as specified)	"Y" document of particular relevance; the claimed invention cannot be considered to involve an inventive step when the document is combined with one or more other such documents, such combination being obvious to a person skilled in the art
"O" document referring to an oral disclosure, use, exhibition or other means	"&" document member of the same patent family
"P" document published prior to the international filing date but later than the priority date claimed	

Date of the actual completion of the international search 12 October 2006 (12.10.2006)	Date of mailing of the international search report 22 JAN 2007
Name and mailing address of the ISA/US Mail Stop PCT, Attn: ISA/US Commissioner for Patents P.O. Box 1450 Alexandria, Virginia 22313-1450 Facsimile No. (571) 273-3201	Authorized officer  Ted Kim Telephone No. 571-272-3700