



US00D745988S

(12) **United States Design Patent**
Ahn

(10) **Patent No.:** **US D745,988 S**

(45) **Date of Patent:** **** Dec. 22, 2015**

(54) **LIGHT SWITCH SHAPED FLASHLIGHT**

(71) Applicant: **Kikkerland Design, Inc.**, New York, NY
(US)

(72) Inventor: **Ilmo Ahn**, Gunpo (KR)

(73) Assignee: **Kikkerland Design, Inc.**, New York, NY
(US)

(**) Term: **14 Years**

(21) Appl. No.: **29/503,599**

(22) Filed: **Sep. 27, 2014**

(51) **LOC (10) Cl.** **26-02**

(52) **U.S. Cl.**

USPC **D26/38**

(58) **Field of Classification Search**

USPC D26/37-50; 362/171-174, 183-208

CPC F21L 2/00; F21L 4/00; F21L 4/005;

F21L 17/00; F21L 13/08; F21Y 2101/00;

F21V 21/30; F21V 21/406

See application file for complete search history.

(56) **References Cited**

U.S. PATENT DOCUMENTS

D448,873 S *	10/2001	Dalton et al.	D26/37
D485,630 S *	1/2004	Chue	D26/38
D498,551 S *	11/2004	Chan	D26/37
D523,160 S *	6/2006	Chen	D26/37

D524,469 S *	7/2006	Pitot	D26/37
D524,962 S *	7/2006	Farmer	D26/37
D580,573 S *	11/2008	Leslie	D26/37
D580,574 S *	11/2008	Leslie	D26/37

* cited by examiner

Primary Examiner — Marcus Jackson

(74) *Attorney, Agent, or Firm* — Cascio & Zervas

(57) **CLAIM**

The ornamental design for a light switch shaped flashlight, as shown and described.

DESCRIPTION

FIG. 1 is a top plan view of the light switch shaped flashlight showing my design;

FIG. 2 is a bottom plan view thereof;

FIG. 3 is a right side elevational view thereof;

FIG. 4 is a left side elevational view thereof;

FIG. 5 is a front elevational view thereof;

FIG. 6 is a rear elevational view thereof;

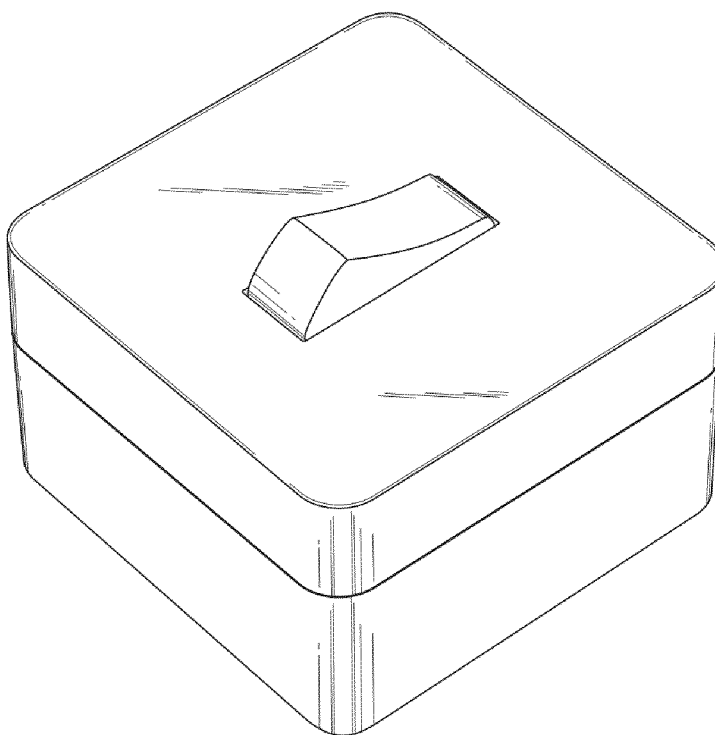
FIG. 7 is a front perspective view thereof;

FIG. 8 is another front perspective view thereof showing the switch in the pressed position; and,

FIG. 9 is an exploded perspective view thereof showing the cover separated from the main body.

The phantom lines shown in the FIG. 9 are illustrative of environmental structure only and form no part of the claimed design.

1 Claim, 3 Drawing Sheets



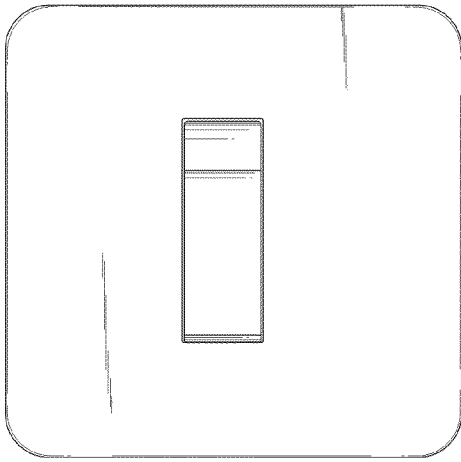


FIG. 1

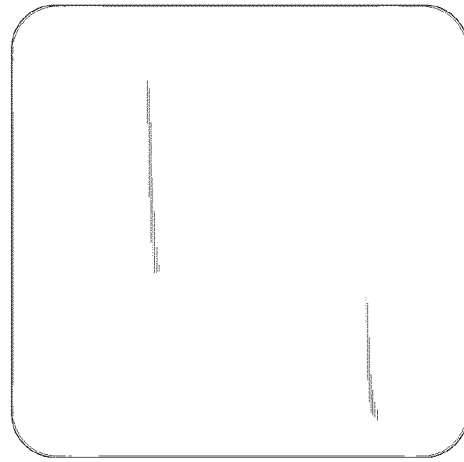


FIG. 2

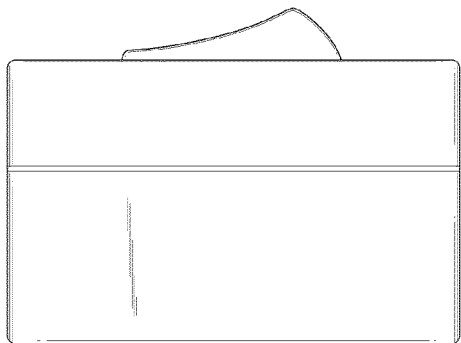


FIG. 3

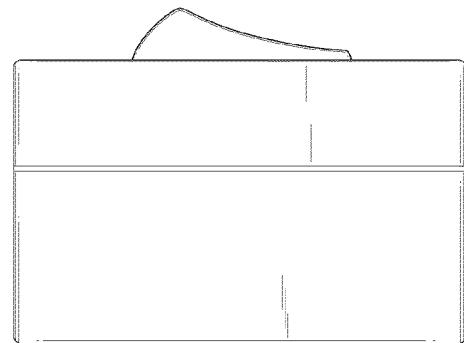


FIG. 4

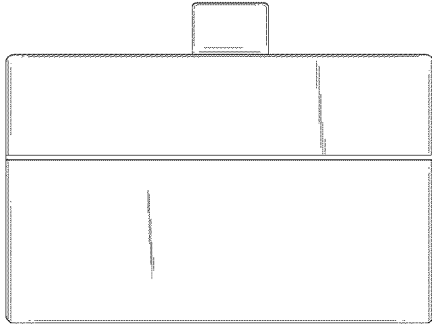


FIG. 5

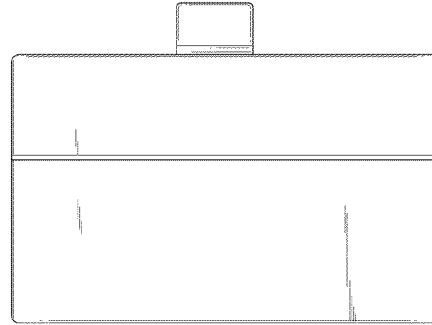


FIG. 6

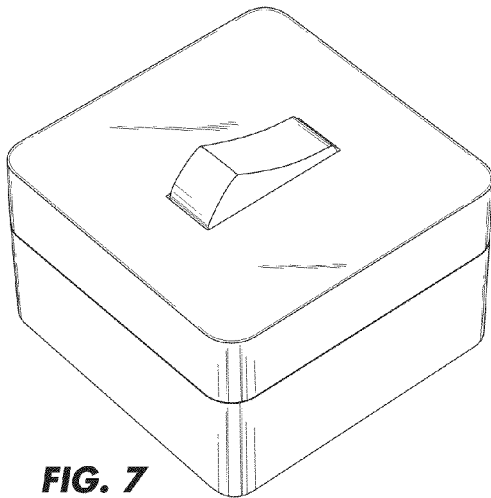


FIG. 7

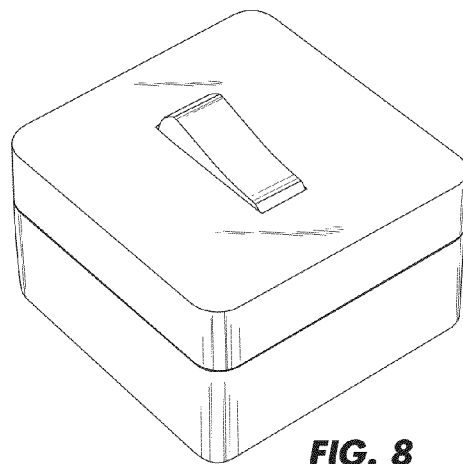


FIG. 8

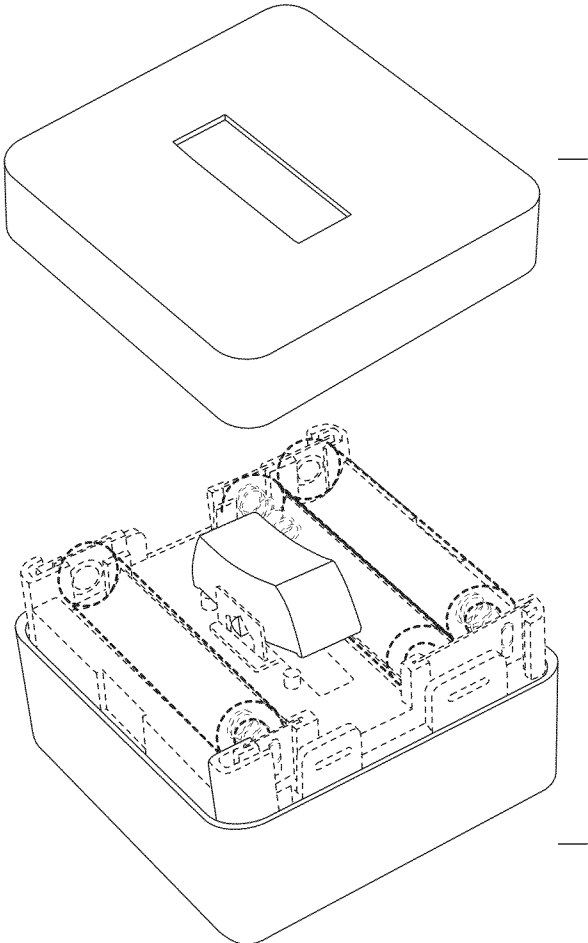


FIG. 9