

(19) World Intellectual Property Organization  
International Bureau



(43) International Publication Date  
2 March 2006 (02.03.2006)

PCT

(10) International Publication Number  
**WO 2006/021890 A3**

(51) International Patent Classification:  
*G06F 17/30* (2006.01)

(21) International Application Number:  
PCT/IB2005/003242

(22) International Filing Date: 26 July 2005 (26.07.2005)

(25) Filing Language: English

(26) Publication Language: English

(30) Priority Data:  
60/591,116 26 July 2004 (26.07.2004) US  
11/145,201 3 June 2005 (03.06.2005) US

(71) Applicant (for all designated States except US): **NJINI, INC.** [US/GB]; c/o The Corporation Trust Co., Corporation Trust Center, 1209 Orange Street, Wilmington, DE 19801 (US).

(72) Inventors; and

(75) Inventors/Applicants (for US only): **TEE, Phillip** [GB/GB]; 52 Red Lane, Claygate, Surrey KT10 0ES (GB). **DODSON, Stephen, John** [GB/GB]; Flat 1, 71 Monkton Street, London SE11 4TX (GB). **HARPER, Robert, Duncan** [GB/GB]; 55 Haldon Road, London SW18 1QF (GB).

(74) Agent: **ROSSA, Thomas, J.**; Holme Roberts & Owen, LLP, 299 South Main Street, Suite 1800, Salt Lake City, UT 84111 (US).

(81) Designated States (unless otherwise indicated, for every kind of national protection available): AE, AG, AL, AM, AT, AU, AZ, BA, BB, BG, BR, BW, BY, BZ, CA, CH, CN, CO, CR, CU, CZ, DE, DK, DM, DZ, EC, EE, EG, ES, FI, GB, GD, GE, GH, GM, HR, HU, ID, IL, IN, IS, JP, KE, KG, KM, KP, KR, KZ, LC, LK, LR, LS, LT, LU, LV, MA, MD, MG, MK, MN, MW, MX, MZ, NA, NG, NI, NO, NZ, OM, PG, PH, PL, PT, RO, RU, SC, SD, SE, SG, SK, SL, SM, SY, TJ, TM, TN, TR, TT, TZ, UA, UG, US, UZ, VC, VN, YU, ZA, ZM, ZW.

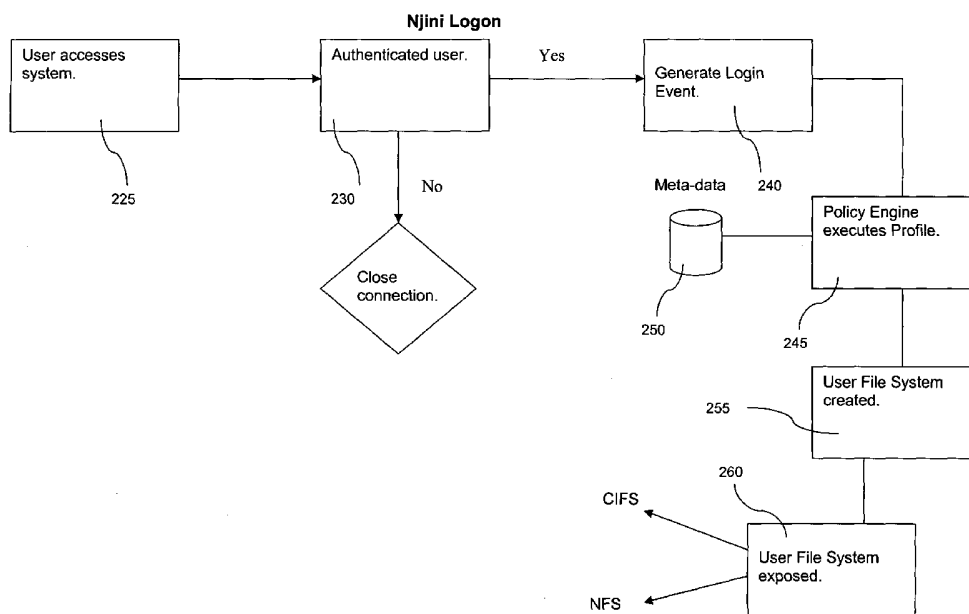
(84) Designated States (unless otherwise indicated, for every kind of regional protection available): ARIPO (BW, GH, GM, KE, LS, MW, MZ, NA, SD, SL, SZ, TZ, UG, ZM, ZW), Eurasian (AM, AZ, BY, KG, KZ, MD, RU, TJ, TM), European (AT, BE, BG, CH, CY, CZ, DE, DK, EE, ES, FI, FR, GB, GR, HU, IE, IS, IT, LT, LU, LV, MC, NL, PL, PT, RO, SE, SI, SK, TR), OAPI (BF, BJ, CF, CG, CI, CM, GA, GN, GQ, GW, ML, MR, NE, SN, TD, TG).

**Declarations under Rule 4.17:**

— as to applicant's entitlement to apply for and be granted a patent (Rule 4.17(ii))

[Continued on next page]

(54) Title: METHOD AND SYSTEM FOR MANAGING DATA



(57) Abstract: A system and method for managing data is provided. The system includes a network for interconnecting a plurality of computers. A data storage means is connected to the network to receive, store and transmit a plurality of files to and from the network. A plurality of computers is also connected to the network. Each computer is configured for originating and for receiving files. Each of the files has unique identifier associated therewith. Each computer may retrieve a file from the data storage means using the identifier.

WO 2006/021890 A3



- *as to the applicant's entitlement to claim the priority of the earlier application (Rule 4.17(iii))*
- *of inventorship (Rule 4.17(iv))*

**(88) Date of publication of the international search report:**  
17 August 2006

**Published:**

- *with international search report*

*For two-letter codes and other abbreviations, refer to the "Guidance Notes on Codes and Abbreviations" appearing at the beginning of each regular issue of the PCT Gazette.*

## INTERNATIONAL SEARCH REPORT

International application No  
PCT/IB2005/003242

<b>A. CLASSIFICATION OF SUBJECT MATTER</b> G06F17/30		
According to International Patent Classification (IPC) or to both national classification and IPC		
<b>B. FIELDS SEARCHED</b>		
Minimum documentation searched (classification system followed by classification symbols) G06F		
Documentation searched other than minimum documentation to the extent that such documents are included in the fields searched		
Electronic data base consulted during the international search (name of data base and, where practical, search terms used) EPO-Internal		
<b>C. DOCUMENTS CONSIDERED TO BE RELEVANT</b>		
Category*	Citation of document, with indication, where appropriate, of the relevant passages	Relevant to claim No.
X	US 2002/133491 A1 (SIM SIEW YONG ET AL) 19 September 2002 (2002-09-19) page 1 - page 20; figures 1,4a,7a,7b -----	1-4
A	EP 0 863 453 A (XEROX CORPORATION) 9 September 1998 (1998-09-09) page 1 - page 5; figure 1 -----	1-4
A	US 2004/133607 A1 (MILOUSHEV VLADIMIR ET AL) 8 July 2004 (2004-07-08) page 1 - page 18; figure 1 -----	1-4
A	US 2004/039756 A1 (BROMLEY GRAHAM) 26 February 2004 (2004-02-26) page 1 - page 3; figure 1 -----	1-4
<input type="checkbox"/> Further documents are listed in the continuation of Box C. <input checked="" type="checkbox"/> See patent family annex.		
* Special categories of cited documents :		
"A" document defining the general state of the art which is not considered to be of particular relevance	"T" later document published after the international filing date or priority date and not in conflict with the application but cited to understand the principle or theory underlying the invention	
"E" earlier document but published on or after the international filing date	"X" document of particular relevance; the claimed invention cannot be considered novel or cannot be considered to involve an inventive step when the document is taken alone	
"L" document which may throw doubts on priority claim(s) or which is cited to establish the publication date of another citation or other special reason (as specified)	"Y" document of particular relevance; the claimed invention cannot be considered to involve an inventive step when the document is combined with one or more other such documents, such combination being obvious to a person skilled in the art.	
"O" document referring to an oral disclosure, use, exhibition or other means	"&" document member of the same patent family	
"P" document published prior to the international filing date but later than the priority date claimed		
Date of the actual completion of the international search  22 February 2006	Date of mailing of the international search report  01/03/2006	
Name and mailing address of the ISA/ European Patent Office, P.B. 5818 Patentlaan 2 NL - 2280 HV Rijswijk Tel. (+31-70) 340-2040, Tx. 31 651 epo nl, Fax: (+31-70) 340-3016	Authorized officer  Morrish, I	

## INTERNATIONAL SEARCH REPORT

Information on patent family members

International application No

PCT/IB2005/003242

Patent document cited in search report		Publication date	Patent family member(s)	Publication date
US 2002133491	A1	19-09-2002	AU 1465902 A EP 1364510 A2 WO 0235359 A2	06-05-2002 26-11-2003 02-05-2002
EP 0863453	A	09-09-1998	BR 9800850 A JP 11003265 A US 5930801 A	23-11-1999 06-01-1999 27-07-1999
US 2004133607	A1	08-07-2004	NONE	
US 2004039756	A1	26-02-2004	AU 2003259920 A1 WO 2004019229 A2	11-03-2004 04-03-2004