



US0D1011503S

(12) **United States Design Patent**
Pan

(10) **Patent No.:** **US D1,011,503 S**

(45) **Date of Patent:** **** Jan. 16, 2024**

(54) **CEILING FAN**

(71) Applicant: **Huanwen Pan**, Ganzhou (CN)

(72) Inventor: **Huanwen Pan**, Ganzhou (CN)

(**) Term: **15 Years**

(21) Appl. No.: **29/909,585**

(22) Filed: **Aug. 8, 2023**

(51) **LOC (14) Cl.** **23-04**

(52) **U.S. Cl.**
USPC **D23/377**

(58) **Field of Classification Search**
USPC D26/59; D14/370, 377, 382, 385, 411
CPC F04D 29/703; F04D 25/088; F04D 29/384;
F04D 29/005; F04D 29/38
See application file for complete search history.

(56) **References Cited**

U.S. PATENT DOCUMENTS

D788,283 S *	5/2017	Busta	D23/377
D788,286 S *	5/2017	Busta	D26/59
D794,768 S *	8/2017	Wang	D23/377
D796,659 S *	9/2017	Schulzman	D23/377
D799,020 S *	10/2017	Guthrie	D26/59
D807,488 S	1/2018	McRoberts		
D851,235 S *	6/2019	Hidalgo	D23/411
D855,789 S *	8/2019	Haggar	D23/377
D858,735 S *	9/2019	Wang	D23/377
D918,376 S *	5/2021	Schulzman	D26/59

D938,569 S *	12/2021	Biancuzzo	D23/377
D941,452 S *	1/2022	O'Connell	D23/377
D970,713 S *	11/2022	McRoberts	D23/377
D977,621 S *	2/2023	Gorali	D23/377
D978,323 S *	2/2023	Hu	D23/377
D985,751 S *	5/2023	Jones	D23/377
D1,003,482 S *	10/2023	Chen	D23/377

* cited by examiner

Primary Examiner — Janice Hallmark
(74) *Attorney, Agent, or Firm* — Daniel M. Cohn;
Howard M. Cohn

(57) **CLAIM**

The ornamental design for a ceiling fan, as shown and described.

DESCRIPTION

FIG. 1 is a perspective view of a ceiling fan showing my new design;
FIG. 2 is another perspective view thereof;
FIG. 3 is a front view thereof;
FIG. 4 is a back view thereof;
FIG. 5 is a left view thereof;
FIG. 6 is a right view thereof;
FIG. 7 is a top plan view thereof;
FIG. 8 is bottom plan view thereof; and,
FIG. 9 is an enlarged view of portion of FIG. 1.
The broken lines showing of the ceiling fan are for the purpose of illustrating article and form no part of the claimed design.

1 Claim, 9 Drawing Sheets



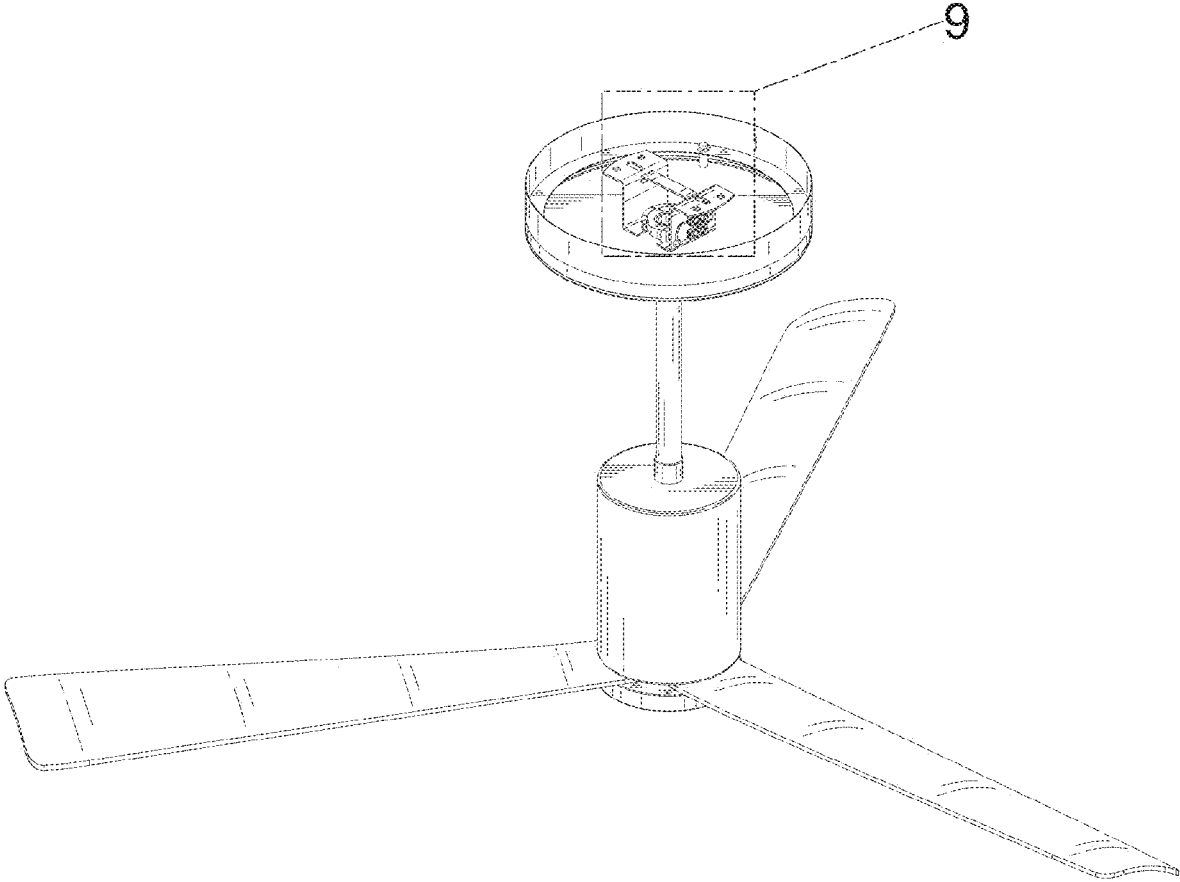


FIG. 1

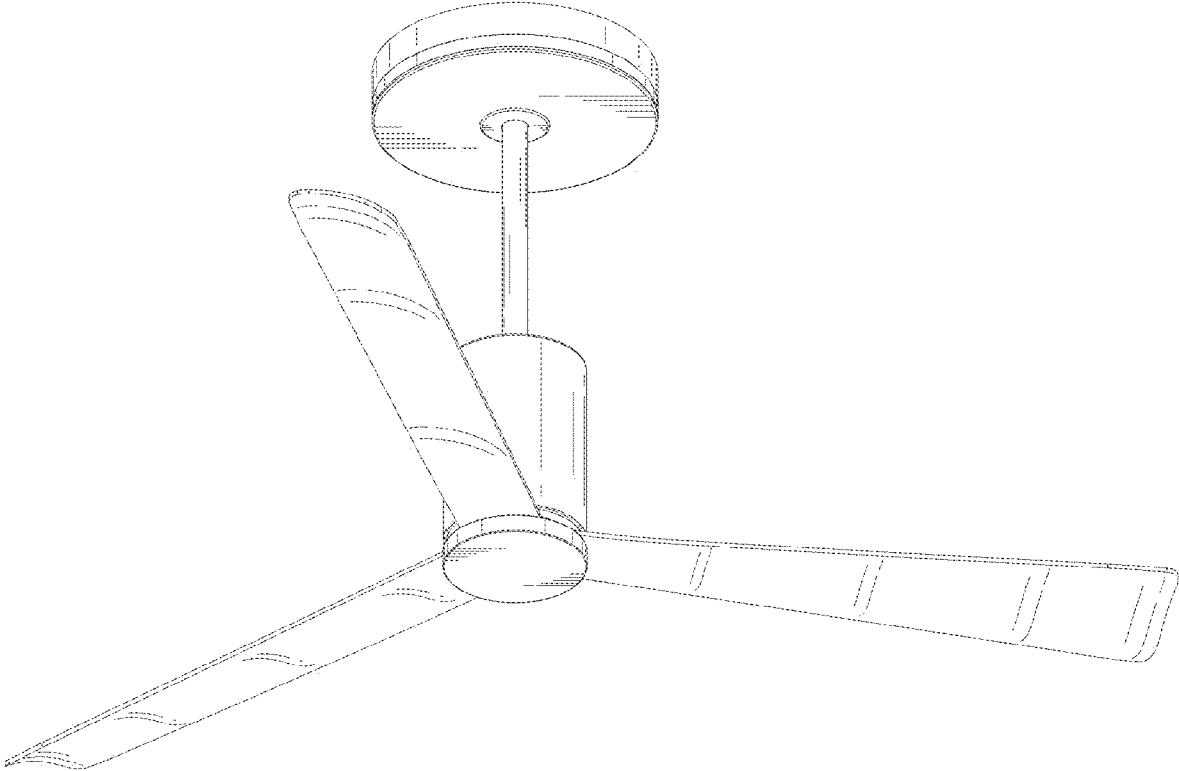


FIG. 2

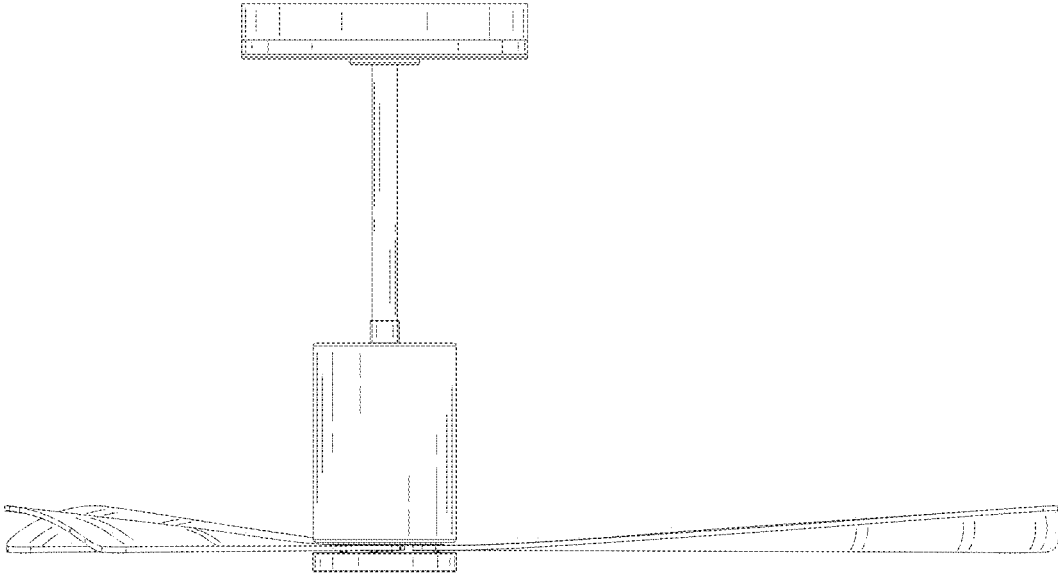


FIG. 3

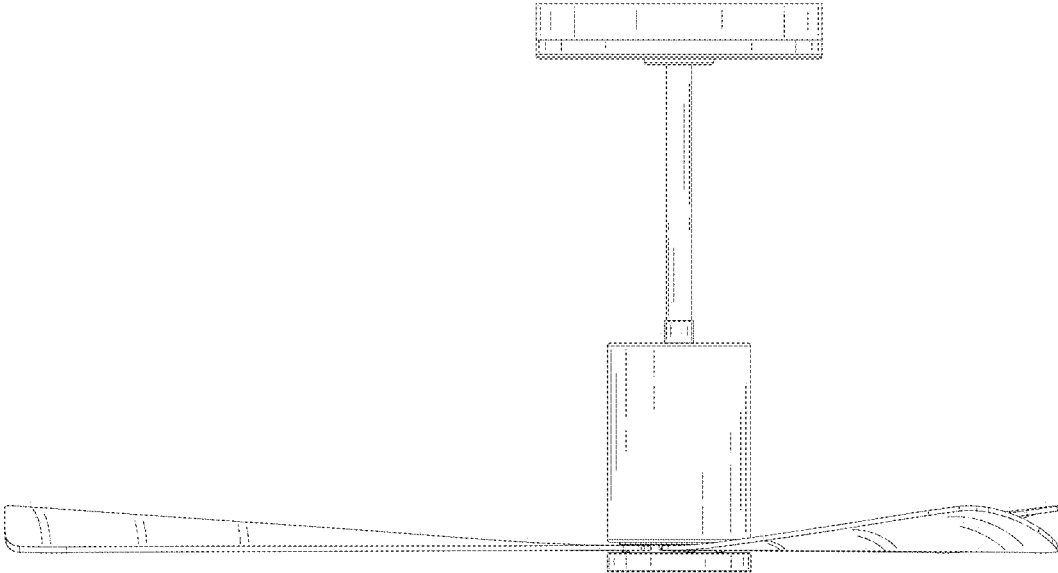


FIG. 4

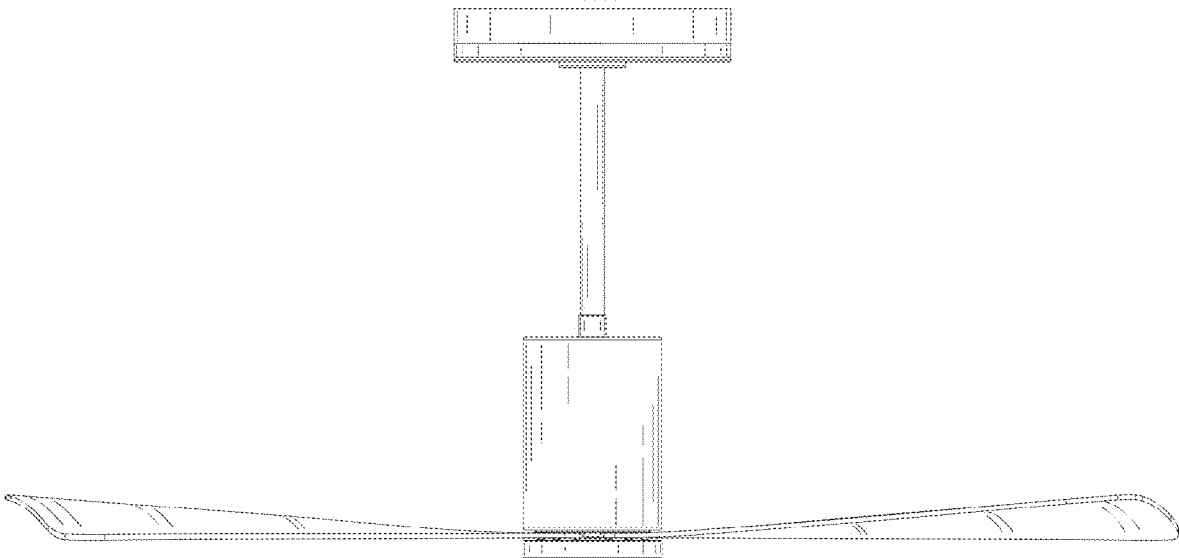


FIG. 5

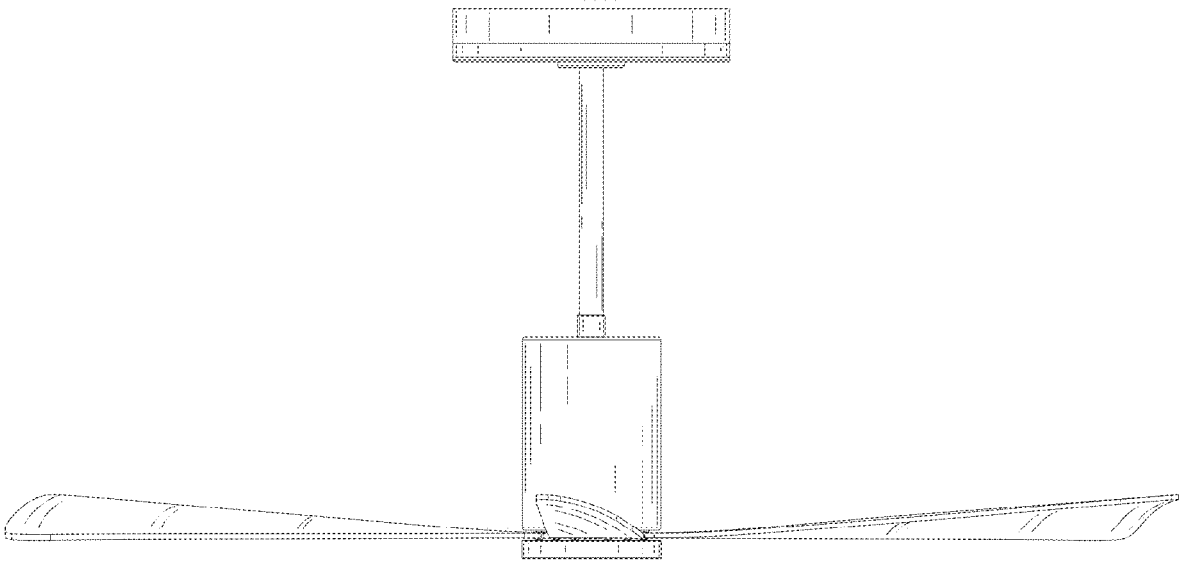


FIG. 6

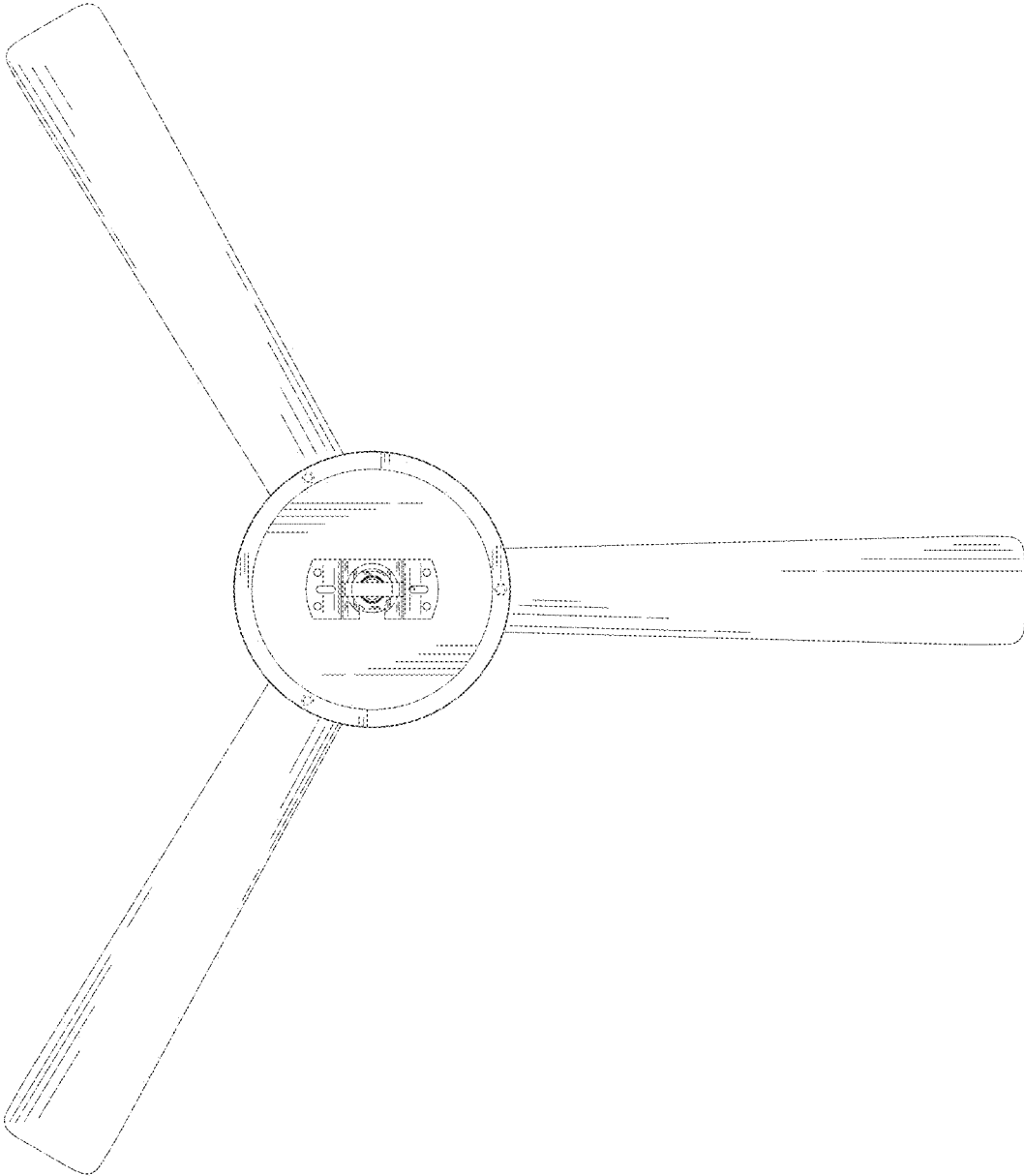


FIG. 7

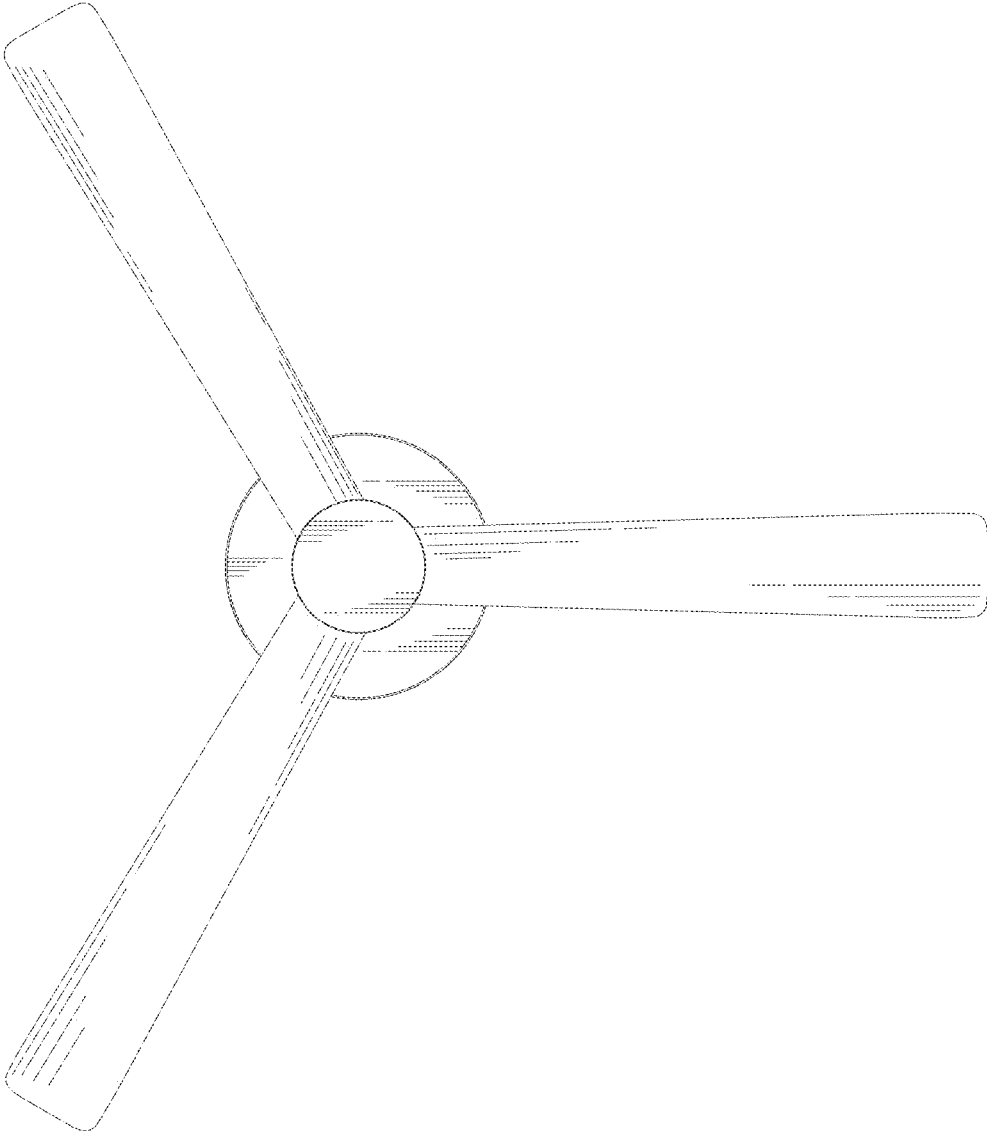


FIG. 8

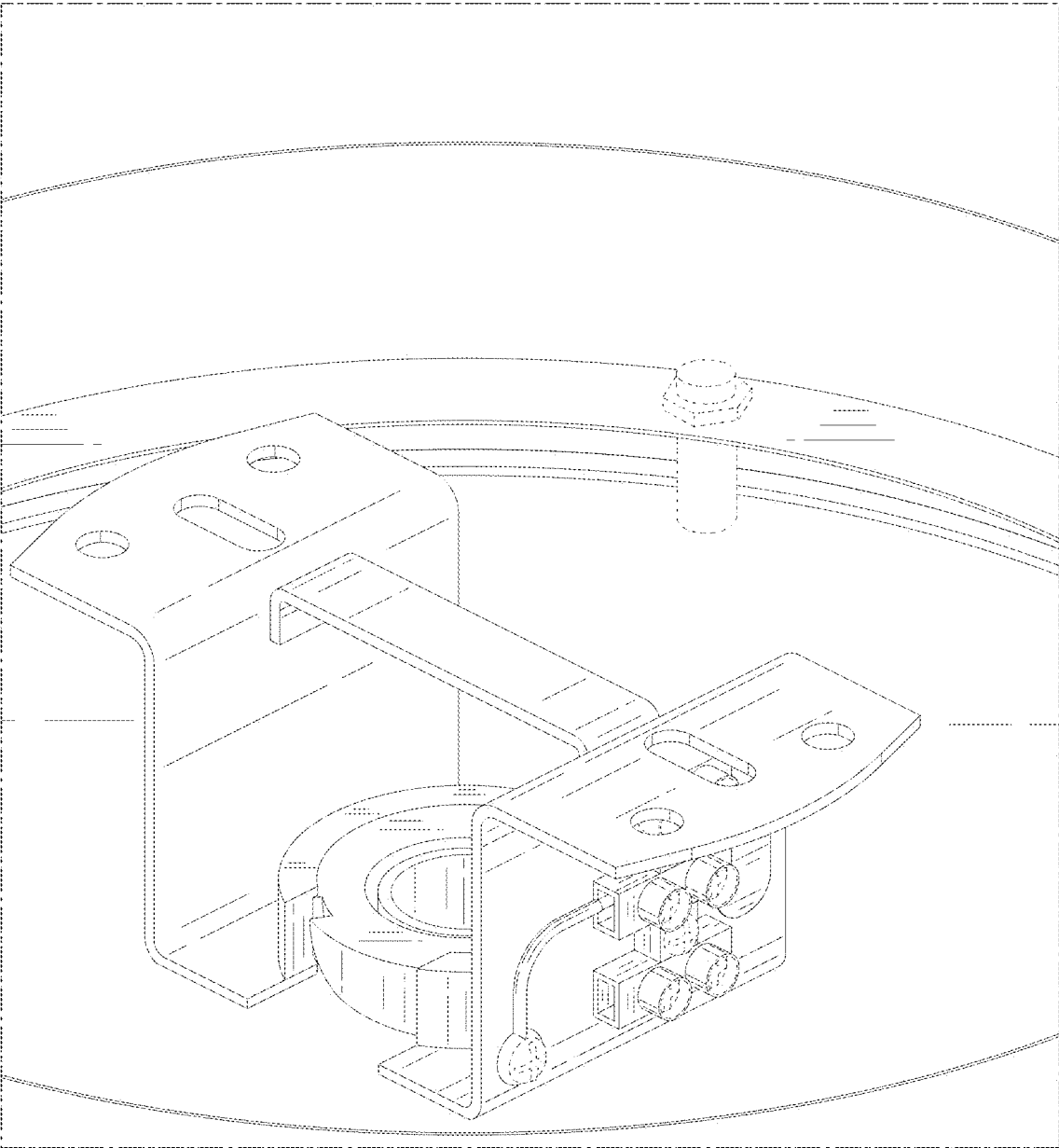


FIG. 9