

(19) World Intellectual Property Organization
International Bureau



(43) International Publication Date
4 January 2007 (04.01.2007)

PCT

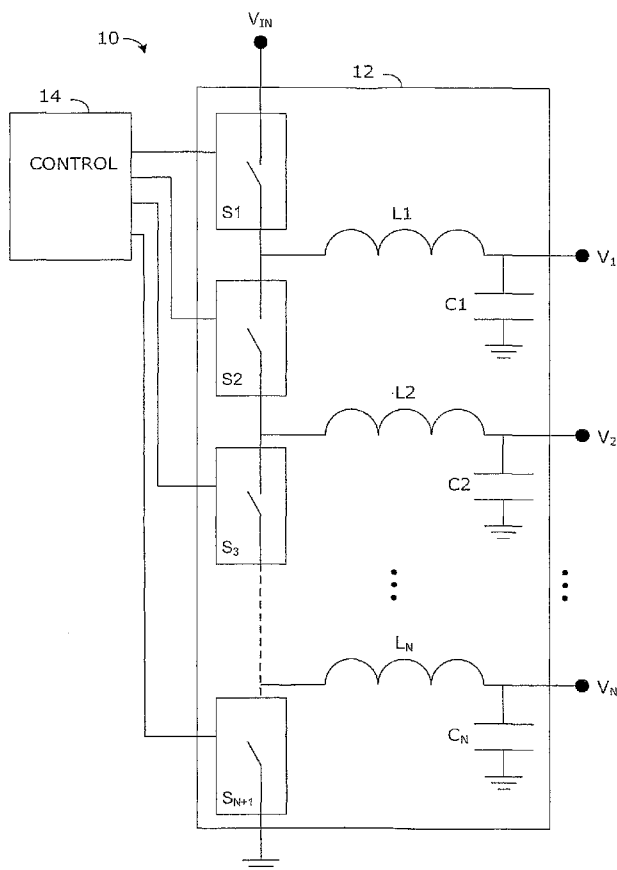
(10) International Publication Number
WO 2007/002428 A3

- (51) International Patent Classification:
H02M 3/158 (2006.01)
- (21) International Application Number:
PCT/US2006/024518
- (22) International Filing Date: 21 June 2006 (21.06.2006)
- (25) Filing Language: English
- (26) Publication Language: English
- (30) Priority Data:
11/158,576 21 June 2005 (21.06.2005) US
- (71) Applicant (for all designated States except US): INTEL CORPORATION [US/US]; 2200 Mission College Boulevard, Santa Clara, California 95052 (US).
- (72) Inventor; and
- (75) Inventor/Applicant (for US only): KUMAR, Pavan [CA/US]; 5283 Nw Crady Lane, Portland, Oregon 97229 (US).
- (74) Agents: VINCENT, Lester J. et al.; BLAKELY SOKOLOFF TAYLOR & ZAFMAN, 12400 Wilshire Boulevard||7th Floor, Los Angeles, California 90025 (US).

- (81) Designated States (unless otherwise indicated, for every kind of national protection available): AE, AG, AL, AM, AT, AU, AZ, BA, BB, BG, BR, BW, BY, BZ, CA, CH, CN, CO, CR, CU, CZ, DE, DK, DM, DZ, EC, EE, EG, ES, FI, GB, GD, GE, GH, GM, HN, HR, HU, ID, IL, IN, IS, JP, KE, KG, KM, KN, KP, KR, KZ, LA, LC, LK, LR, LS, LT, LU, LV, LY, MA, MD, MG, MK, MN, MW, MX, MZ, NA, NG, NI, NO, NZ, OM, PG, PH, PL, PT, RO, RS, RU, SC, SD, SE, SG, SK, SL, SM, SY, TJ, TM, TN, TR, TT, TZ, UA, UG, US, UZ, VC, VN, ZA, ZM, ZW.
 - (84) Designated States (unless otherwise indicated, for every kind of regional protection available): ARIPO (BW, GH, GM, KE, LS, MW, MZ, NA, SD, SL, SZ, TZ, UG, ZM, ZW), Eurasian (AM, AZ, BY, KG, KZ, MD, RU, TJ, TM), European (AT, BE, BG, CH, CY, CZ, DE, DK, EE, ES, FI, FR, GB, GR, HU, IE, IS, IT, LT, LU, LV, MC, NL, PL, PT, RO, SE, SI, SK, TR), OAPI (BF, BJ, CF, CG, CI, CM, GA, GN, GQ, GW, ML, MR, NE, SN, TD, TG).
- Published:**
— with international search report

[Continued on next page]

(54) Title: MULTIPLE OUTPUT BUCK CONVERTER



(57) Abstract: In some embodiments, a three-switch dual output buck converter includes a converter circuit having N+1 switch circuits ($S_1 - S_{N+1}$), the converter circuit being configured to receive an input voltage and to provide N output voltages ($V_1 - V_N$), where N is two or more, and a control circuit (14) to selectively provide control signals to the N+1 switch circuits at time intervals in accordance with the N output voltages. Other embodiments are disclosed and claimed.

WO 2007/002428 A3



(88) Date of publication of the international search report:

15 November 2007

For two-letter codes and other abbreviations, refer to the "Guidance Notes on Codes and Abbreviations" appearing at the beginning of each regular issue of the PCT Gazette.

INTERNATIONAL SEARCH REPORT

International application No
PCT/US2006/024518A. CLASSIFICATION OF SUBJECT MATTER
INV. H02M3/158

According to International Patent Classification (IPC) or to both national classification and IPC

B. FIELDS SEARCHED

Minimum documentation searched (classification system followed by classification symbols)
H02M

Documentation searched other than minimum documentation to the extent that such documents are included in the fields searched

Electronic data base consulted during the international search (name of data base and, where practical, search terms used)

EPO-Internal, WPI Data

C. DOCUMENTS CONSIDERED TO BE RELEVANT

Category*	Citation of document, with indication, where appropriate, of the relevant passages	Relevant to claim No.
X	US 5 886 508 A (JUTRAS MARK A [US]) 23 March 1999 (1999-03-23) column 1, lines 12-20 column 5, lines 16-33 figures 4A,4B,5	1-26
X	US 6 222 352 B1 (LENK RONALD J [US]) 24 April 2001 (2001-04-24) column 2, line 29 - column 5, line 4 figures 1-6	1-26

 Further documents are listed in the continuation of Box C. See patent family annex.

* Special categories of cited documents :

- *A* document defining the general state of the art which is not considered to be of particular relevance
- *E* earlier document but published on or after the international filing date
- *L* document which may throw doubts on priority claim(s) or which is cited to establish the publication date of another citation or other special reason (as specified)
- *O* document referring to an oral disclosure, use, exhibition or other means
- *P* document published prior to the international filing date but later than the priority date claimed

- *T* later document published after the international filing date or priority date and not in conflict with the application but cited to understand the principle or theory underlying the invention
- *X* document of particular relevance; the claimed invention cannot be considered novel or cannot be considered to involve an inventive step when the document is taken alone
- *Y* document of particular relevance; the claimed invention cannot be considered to involve an inventive step when the document is combined with one or more other such documents, such combination being obvious to a person skilled in the art.
- *&* document member of the same patent family

Date of the actual completion of the international search

6 August 2007

Date of mailing of the international search report

22/08/2007

Name and mailing address of the ISA/

European Patent Office, P.B. 5818 Patentlaan 2
NL - 2280 HV Rijswijk
Tel. (+31-70) 340-2040, Tx. 31 651 epo nl,
Fax: (+31-70) 340-3016

Authorized officer

Roider, Anton

INTERNATIONAL SEARCH REPORT

Information on patent family members

International application No

PCT/US2006/024518

Patent document cited in search report	Publication date	Publication date	Patent family member(s)	Publication date
US 5886508	A	23-03-1999	NONE	
US 6222352	B1	24-04-2001	CN 1274984 A	29-11-2000
			DE 10016535 A1	16-11-2000
			FR 2793357 A1	10-11-2000
			JP 3357338 B2	16-12-2002
			JP 2000333446 A	30-11-2000
			KR 20010014757 A	26-02-2001
			TW 508896 B	01-11-2002