



US00D812989S

(12) **United States Design Patent**
Seiders et al.

(10) **Patent No.:** **US D812,989 S**

(45) **Date of Patent:** **** Mar. 20, 2018**

(54) **HANDLE**

(71) Applicant: **YETI Coolers, LLC**, Austin, TX (US)

(72) Inventors: **Roy Joseph Seiders**, Rollingwood, TX (US); **Steve Charles Nichols**, Austin, TX (US); **Chris Nickolas Kaschner**, Austin, TX (US)

(73) Assignee: **YETI Coolers, LLC**, Austin, TX (US)

(**) Term: **15 Years**

(21) Appl. No.: **29/563,751**

(22) Filed: **May 6, 2016**

(51) **LOC (11) Cl.** **07-06**

(52) **U.S. Cl.**
USPC **D7/622**

(58) **Field of Classification Search**
USPC D7/619.1-625, 605-608, 707-708, 533, D7/536, 393, 396.2
CPC A47G 23/0266; A47G 23/0233; A47G 23/0241; A47G 23/0216; A47G 23/02; A47G 19/2205; B65D 25/2829; B65D 25/2817; B65D 23/13/02; A45F 5/10; A47J 45/10; A47J 45/077

See application file for complete search history.

(56) **References Cited**

U.S. PATENT DOCUMENTS

D2,440 S	9/1866	Matthews, Jr.
604,514 A	5/1898	Belden
899,290 A	9/1908	Bricker et al.
1,133,420 A	3/1915	Young
D47,798 S	9/1915	Pick
2,029,429 A	2/1936	Koons
D100,871 S	8/1936	Marcus
2,070,414 A	2/1937	Snell
2,088,387 A	7/1937	Rice, Jr. et al.
2,128,466 A	8/1938	Machotka

2,215,402 A	9/1940	McDonald
2,378,867 A	6/1945	Reichart
D157,491 S	2/1950	Heintze
2,643,021 A	6/1953	Freedman
D177,559 S	5/1956	Emmert

(Continued)

FOREIGN PATENT DOCUMENTS

CH	561528 A5	5/1975
EP	0717949 B1	4/2002

(Continued)

OTHER PUBLICATIONS

“Red Removable Handle 16-Oz. Travel Tumbler.” Accessed Aug. 31, 2016. Available online at URL: <<http://www.zulily.com/p/red-removable-handle-16-oz-travel-tumbler-120715-7353259.html>>.

(Continued)

Primary Examiner — Terry A Wallace

(74) *Attorney, Agent, or Firm* — Banner & Witcoff, Ltd.

(57) **CLAIM**

The ornamental design for a handle, as shown and described.

DESCRIPTION

FIG. 1 is a top, front, right perspective view of a handle showing our new design;

FIG. 2 is a front view thereof;

FIG. 3 is a rear view thereof;

FIG. 4 is a right side view thereof;

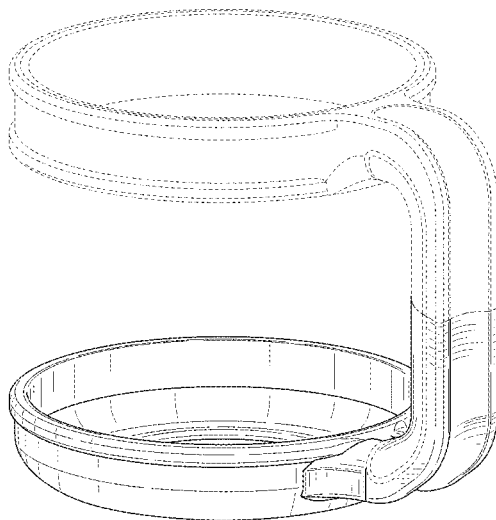
FIG. 5 is a left side view thereof;

FIG. 6 is a top view thereof; and,

FIG. 7 is a bottom view thereof.

The uneven-length broken lines represent unclaimed boundaries of the claimed design. The even-length broken lines showing the remainder of the handle are for environmental purposes only and form no part of the claimed design.

1 Claim, 7 Drawing Sheets



(56)

References Cited

U.S. PATENT DOCUMENTS

2,871,051	A	1/1959	Nesslein et al.		D429,607	S	8/2000	Prim
D186,555	S	11/1959	Hunt		6,102,458	A	8/2000	Scace
2,928,570	A	3/1960	Fitch		D432,865	S	10/2000	Cohen
2,981,562	A *	4/1961	Long	A47G 23/0241 215/12.1	6,135,312	A	10/2000	Chen et al.
3,107,029	A	10/1963	Rylander		D433,876	S	11/2000	Freed
3,202,309	A	8/1965	Simpson		D434,275	S	11/2000	Ginuntoli et al.
3,261,633	A	7/1966	Sakuta		6,149,028	A	11/2000	Yu
3,342,370	A	9/1967	Johnson		D436,295	S	1/2001	Furman et al.
D209,308	S	11/1967	Schilling		D437,187	S	2/2001	Cheng
D209,533	S	12/1967	Cole		D439,473	S	3/2001	Lin
D211,818	S	7/1968	Massey		6,216,909	B1	4/2001	Lin
3,458,164	A	7/1969	Massey		6,237,801	B1	5/2001	Liu
D217,781	S	6/1970	Stone		6,241,415	B1	6/2001	Stark
3,679,253	A	7/1972	Simms		6,260,732	B1	7/2001	Khodush
3,682,352	A	8/1972	Doucette		D446,687	S	8/2001	Furman et al.
D225,792	S	1/1973	Fritsche		6,332,557	B1	12/2001	Moran
D229,006	S	11/1973	Sauey		6,352,235	B2	3/2002	Cizek
3,979,011	A *	9/1976	Schleicher	A47G 23/0266 220/287	6,360,913	B1	3/2002	Bruinsma et al.
4,120,073	A	10/1978	Studebaker		D455,613	S	4/2002	Bruinsma et al.
4,127,915	A	12/1978	Logan et al.		D456,578	S	4/2002	Smith et al.
D251,175	S	2/1979	Logan et al.		D457,389	S	5/2002	Snell
D254,417	S	3/1980	DeMars et al.		D458,081	S	6/2002	Bodum
D256,418	S	8/1980	Corbett		RE37,773	E	7/2002	Trombley
D258,795	S	4/1981	Zamorski		D460,895	S	7/2002	Lin
D265,159	S	6/1982	La Barbera		D462,879	S	9/2002	Martens
D265,279	S	7/1982	Wright		6,450,363	B1	9/2002	Lin
D265,880	S	8/1982	Craig		D463,715	S	10/2002	Dretzka
D268,319	S	3/1983	Donoski et al.		D465,132	S	11/2002	Janky et al.
D269,147	S	5/1983	Trombly		D466,371	S	12/2002	Parker
4,560,075	A	12/1985	Lu		D471,763	S	3/2003	Hurlbut et al.
D285,032	S	8/1986	Alonzo		D472,101	S	3/2003	Janky
D287,451	S *	12/1986	Schrock	D7/622	6,557,751	B2	5/2003	Puerini
4,654,274	A	3/1987	DeMars		D476,193	S	6/2003	Janky
D289,484	S	4/1987	Forquer et al.		D477,185	S	7/2003	Janky
D298,200	S	10/1988	Block et al.		6,588,064	B2	7/2003	Baum
4,848,625	A	7/1989	Lucia		D479,090	S	9/2003	Backes et al.
D302,634	S	8/1989	Segal		D480,904	S	10/2003	Backes et al.
4,993,675	A	2/1991	Walker		D480,918	S	10/2003	Belton et al.
4,997,124	A	3/1991	Kitabatake et al.		D483,165	S	12/2003	Dretzka
5,029,720	A	7/1991	Bridges		D483,995	S	12/2003	Otake
5,168,793	A	12/1992	Padamsee		D484,361	S	12/2003	Jeung
D337,029	S	7/1993	McKechnie		6,658,701	B1	12/2003	DeHart et al.
D357,387	S	4/1995	Davidson et al.		D488,673	S	4/2004	Farce
5,427,269	A	6/1995	Willbrandt		D489,577	S	5/2004	Giampavolo
5,433,337	A	7/1995	Willbrandt		D490,274	S	5/2004	Irvine
D362,369	S	9/1995	Bridges		6,729,665	B1 *	5/2004	Posey
D363,414	S	10/1995	Goto et al.					B65D 23/106 215/396
D363,641	S	10/1995	Goto et al.		D493,068	S	7/2004	Slater et al.
D370,384	S	6/1996	Shamis		6,852,954	B1	2/2005	Liu et al.
D372,839	S	8/1996	Laib		6,864,462	B2	3/2005	Sanoner et al.
5,593,053	A	1/1997	Kaufman et al.		6,962,265	B1	11/2005	Zhang
D379,738	S	6/1997	Liming et al.		D512,272	S	12/2005	Avrish
D382,174	S	8/1997	Grimm		D512,275	S	12/2005	Kent-Fawkes
5,655,805	A	8/1997	Shaddy		6,979,031	B2	12/2005	Coppotelli et al.
D384,557	S	10/1997	Goza		D523,693	S	6/2006	Bodum
5,678,725	A	10/1997	Yamada et al.		D524,607	S	7/2006	Kent-Fawkes
D386,948	S	12/1997	Wissinger		D529,763	S	10/2006	Zerillo et al.
D395,238	S *	6/1998	Freitas	D9/455	D531,454	S	11/2006	Zerillo et al.
D395,825	S *	7/1998	Freitas	D9/455	D533,748	S	12/2006	Bresler
D396,381	S	7/1998	Chung		D534,038	S	12/2006	Kramer et al.
5,788,298	A	8/1998	Cheng		D534,396	S	1/2007	Kramer
D398,187	S	9/1998	Parker		D536,930	S	2/2007	Li
5,799,369	A	9/1998	Schulein		D537,676	S	3/2007	Kingsley
5,816,631	A	10/1998	Kochan		D537,677	S	3/2007	Bresler
5,848,722	A *	12/1998	Hanes	A47G 23/0233 215/387	7,195,137	B2	3/2007	Belcastro
5,868,310	A	2/1999	Leszczynski		D539,609	S	4/2007	Ying et al.
D412,806	S	8/1999	Pierce		7,207,538	B2	4/2007	Kent-Fawkes
D416,757	S	11/1999	Ginuntoli		D548,012	S	8/2007	Tien
D417,589	S	12/1999	Parker		D548,599	S	8/2007	Blasko
D417,819	S	12/1999	Kelly-Pollet		D553,440	S	10/2007	Bodum
D418,013	S	12/1999	Fujii		7,284,777	B1	10/2007	Kraemer
D427,853	S	7/2000	Kohlhase		D557,567	S	12/2007	Gronikowski et al.
					D560,512	S	1/2008	Safar
					D561,590	S	2/2008	Kingsley
					D562,072	S	2/2008	Wahl
					D565,901	S	4/2008	Edelstein et al.
					D566,471	S	4/2008	Bodum
					D568,107	S	5/2008	Bhavnani
					D568,685	S	5/2008	Bodum

(56)

References Cited

U.S. PATENT DOCUMENTS

D569,183 S 5/2008 Blake
 D577,260 S 9/2008 Bodum
 D587,523 S 3/2009 Moon
 D587,967 S 3/2009 Wahl
 D588,912 S 3/2009 Christensen et al.
 D592,015 S 5/2009 Carpenter
 D592,058 S 5/2009 Rapaport
 7,527,310 B2 5/2009 Shaskey, Sr.
 D593,859 S 6/2009 Barnum
 D595,133 S 6/2009 Lewis
 D598,747 S 8/2009 Caldwell
 D600,073 S 9/2009 Carreno
 7,581,704 B1 9/2009 Pugsley
 7,581,770 B2 9/2009 Jones
 7,604,270 B1 10/2009 McCarthy
 D604,103 S 11/2009 Alviar et al.
 D609,534 S 2/2010 Traficante et al.
 7,686,183 B2 3/2010 Ziegler
 D613,554 S 4/2010 Koennecke
 D615,366 S * 5/2010 Berezansky D7/622
 D617,640 S 6/2010 Jones
 D618,964 S 7/2010 Eisenhardt
 D619,419 S 7/2010 McClellan et al.
 D622,548 S 8/2010 Jensen et al.
 D631,699 S 2/2011 Moreau
 D636,640 S 4/2011 Latham
 D638,651 S 5/2011 Butler
 D643,289 S 8/2011 Harlan
 D646,524 S 10/2011 Kortleven
 D648,599 S 11/2011 Watanabe et al.
 D650,232 S 12/2011 Gilbert
 D652,256 S 1/2012 Eyal
 D656,361 S 3/2012 Gilbert
 D658,922 S 5/2012 Fallon et al.
 D659,474 S 5/2012 Wahl et al.
 D660,082 S 5/2012 Wahl
 D664,001 S 7/2012 Liu
 D667,268 S 9/2012 Pallotto
 D669,735 S 10/2012 Wong
 D670,525 S 11/2012 Fallon et al.
 D675,063 S 1/2013 Wahl
 8,364,542 B2 1/2013 Grauel et al.
 D682,002 S 5/2013 Munson
 8,499,951 B1 8/2013 McDonald et al.
 D691,409 S 10/2013 Dichraff et al.
 D693,176 S 11/2013 Kaiser
 D693,649 S 11/2013 Yeung
 8,608,019 B2 12/2013 Wren
 D698,200 S 1/2014 Lauwagie
 8,684,430 B1 4/2014 Brandon
 D705,012 S 5/2014 Lapsker
 8,727,176 B2 5/2014 El-Saden et al.
 D709,328 S 7/2014 Ross
 D709,737 S 7/2014 Weinert et al.
 D709,738 S 7/2014 Weinert et al.
 D712,701 S 9/2014 Boroski
 D713,206 S 9/2014 Lane et al.
 D713,686 S 9/2014 Eyal
 D717,605 S 11/2014 Kristinik
 D717,606 S 11/2014 Kristinik
 D719,408 S 12/2014 Weber
 D720,183 S 12/2014 Chiang
 8,899,644 B2 12/2014 Hancey
 8,919,603 B2 12/2014 Greene
 D725,965 S 4/2015 Bo
 D728,311 S 5/2015 Eyal
 D728,312 S 5/2015 Bo
 D728,313 S 5/2015 Bo
 D729,009 S 5/2015 Merten
 D729,581 S 5/2015 Boroski
 D730,121 S 5/2015 Bo
 9,021,662 B1 5/2015 Jones
 9,038,850 B1 5/2015 Wilson
 D731,251 S 6/2015 Lane
 D732,338 S 6/2015 Boroski

D732,343 S 6/2015 Romley
 D732,895 S 6/2015 McClellan
 D734,096 S 7/2015 George et al.
 D740,073 S 10/2015 Zorovich et al.
 D740,077 S 10/2015 Strepkoff
 D740,618 S * 10/2015 Knoll D7/622
 D743,209 S 11/2015 Maas et al.
 D744,286 S 12/2015 Morris, II et al.
 D750,426 S 3/2016 Bann et al.
 D753,948 S 4/2016 Kestenbaum
 D754,543 S 4/2016 Donadee et al.
 D764,870 S 8/2016 Choi
 D766,035 S 9/2016 Cox
 D783,334 S 4/2017 Kotani
 D787,251 S 5/2017 Kestenbaum
 D787,260 S 5/2017 Krooshof
 2002/0066758 A1 6/2002 Fadal et al.
 2004/0040962 A1 3/2004 Bielecki et al.
 2004/0187265 A1 9/2004 Ho
 2005/0045643 A1 3/2005 Ghanem
 2005/0218109 A1 10/2005 Semersky et al.
 2006/0175506 A1 8/2006 Lan
 2007/0295738 A1 12/2007 Hussain
 2008/0012368 A1 1/2008 Kent-Fawkes
 2008/0023434 A1 1/2008 Takayama
 2008/0101056 A1 5/2008 Bhavnani
 2009/0008399 A1 1/2009 Mayled et al.
 2009/0065469 A1 3/2009 McClellan et al.
 2010/0206874 A1 8/2010 Masurier et al.
 2010/0288782 A1 11/2010 Lin
 2011/0204017 A1 8/2011 O'Sullivan
 2012/0074155 A1 3/2012 Yeung
 2012/0261408 A1 10/2012 White
 2013/0098932 A1 4/2013 Hunt
 2013/0186849 A1 7/2013 Iwashita
 2014/0186507 A1 7/2014 Wales
 2015/0041480 A1 2/2015 Ramsey
 2015/0102032 A1 4/2015 Dunn et al.
 2015/0108150 A1 4/2015 Garcia
 2015/0108152 A1 4/2015 Franzen et al.
 2015/0164256 A1* 6/2015 Helton A47G 23/0216
 220/738
 2015/0232232 A1 8/2015 Shibuki et al.
 2015/0291316 A1 10/2015 Fietz

FOREIGN PATENT DOCUMENTS

GB 2129117 A 5/1984
 GB 2354579 A 3/2001
 JP H11221667 A 8/1999
 JP 2011219126 A 11/2011
 KR 300779301 1/2015
 WO 0162614 A1 8/2001
 WO 2006048119 A1 5/2006
 WO 2011022857 A2 3/2011
 WO 2012064184 A1 5/2012
 WO 2013163725 A1 11/2013

OTHER PUBLICATIONS

“Removable Bicycle Cup Holder by Bookman.” Published Mar. 23, 2014. Accessed Aug. 31, 2016. Available online at URL: <<http://coolmmsgear.com/removable-bicycle-cup-holder/>>.
 “Meyers California Rainbow Mug with Removable Wood/Metal Handle.” Accessed Aug. 31, 2016. Available online at URL: <<https://www.pinterest.com/pin/148618856430252325/>>.
 “Tervis Tumbler Black 24oz. Handle.” Amazon.com. Accessed Aug. 31, 2016. Available online at URL: <<https://www.amazon.com/Tervis-Tumbler-Black-24oz-Handle/dp/B004VVHORG>>
 “Spare Parts for Those Mugs or Tumblers with No Handles.” Accessed Aug. 31, 2016. Available online at URL: <http://www.etsy.com/listing/255089724/parts-parts-parts-mug-or-tumbler-metal?ga_order=most_relevant&ga_search_type=all&ga_view_type=gallery&ga_search_query=metal+handled+mugs&ref=sr_gallery_8>.

(56) **References Cited**

OTHER PUBLICATIONS

“New 16oz Insulated Coffee Travel Mug Stainless Steel Double Wall Thermos Tumbler”, retrieved from <<http://www.ebay.com/itm/New-16oz-Insulated-COFFEE-TRAVEL-MUG-Stainless-Steel-Double-Wall-Thermos-Tumbler-/171416296921>> on Aug. 27, 2015. “Osulloc Green Cup,” retrieved from http://www.edaymall.com/display/goods.do?media_code=E06&goods_code=10183708 on Sep. 6, 2016.

“Stainless Steel Travel Mug with Slide Action Lid and Plastic Inner Liner—16oz.”, retrieved from <<http://waterbottles.com/stainless-steel-travel-mug-with-slide-action-lid-and-plastic-inner-liner-16-oz/>> on Aug. 27, 2015.

“YETI Rambler 20 and 30 oz”, published on Apr. 19, 2014, retrieved from <https://web.archive.org/web/20140419041951/http://yeticoolers.com/rambler-tumblers/> on Sep. 2, 2015.

Dec. 14, 2016 (PCT) International Search Report and Written Opinion—App PCT/US2016/055491.

Oct. 18, 2016—(JP) Office Action—App 2016-004374—English trans.

May 10, 2017—(U.S.) Office Action—U.S. Appl. No. 15/183,427.

May 24, 2017—(WO) International Search Report and Written Opinion—App. No. PCT/US2017/022315—16 pages.

Eshine Industrial & Maoyuan International, “400ml Double Wall Stainless Steel Travel Mug with Sliding Drink Lid”, retrieved from <<http://www.chinawaterbottle.com/product/400ml-double-wall-stainless-steel-travel-mug-with-sliding-drink-lid-77-520.html>> on Aug. 27, 2015.

Gold Bond Inc., “16CT—16 oz Cafe Tumbler”, retrieved from <<http://www.goldbondinc.com/16ct>> on Aug. 27, 2015.

Hit Promotional Products, “24 Oz. Biggie Tumbler with Lid”, retrieved from <<http://www.hitpromo.net/product/show/5853/24-oz-biggie-tumbler-with-lid>> on Aug. 27, 2015.

Photo USA Electronic Graphic Inc., “17fl oz Personalised Travel Mug (Plastic Insert and Metal Shell, Reverse Screw)”, retrieved from <<http://www.meikeda.com/stainless-steel-mug/item/15-oz-personalised-travel-mug.html>> on Aug. 27, 2015.

Photographic image of YETI 20oz Rambler Tumbler, published date unknown, but prior to the filing date of the present application.

Photographic image of YETI 30oz Rambler Tumbler, published date unknown, but prior to the filing date of the present application.

Pictures of Great American Products Tumbler, published date unknown, but prior to the filing date of the present application.

Promo Industrial Co., Limited, “16 Oz. Blue Bullet Travel Mug W/ Handle”, retrieved from <http://www.oempromo.com/Bottle-cup-and-mug/Mugs/index_73.htm> on Aug. 27, 2015.

Promotional Items, Inc., “Stainless Steel 14oz. Deluxe Coffee Insulated Tumbler Lid”, retrieved from <http://www.promotional-items-inc.com/catalog/stainless_steel_18oz_commuter_coffee_mug_lid.html> on Aug. 27, 2015.

Second photographic image of YETI 30oz Rambler Tumbler, published date unknown, but prior to the filing date of the present application

The Alexon Group, “16 Oz. Stainless Steel Travel Mug with Slide Action Lid and Plastic Inner Liner”, retrieved from <<https://alexongroup.com/16-oz-stainless-steel-travel-mug-with-slide-action-lid-and-plastic-inner-liner>> on Aug. 27, 2015.

The Product Farm, “BeerNStein Rocks Tumbler Lid—Blue”, retrieved from <<http://store.theproductfarm.com/beerstein-rocks-tumbler-lid-blue/>> on Aug. 27, 2015.

Timolino, “Signature Thermal Travel Mug Slide—Tab Lid”, retrieved from <<http://timolino.com/products/signature-thermal-travel-mug-slide-tab-lid/>> on Aug. 27, 2015.

United States District Court for the Southern District of Texas Houston Division, “RTIC Drinkware’s Original Complaint for Declaratory Judgment, Damages, and Injunctive Relief,” *RTIC Drinkware, LLC v. YETI Coolers, LLC*, Case: 4:16-cv-01201, Document #1, filed May 2, 2016, 58 pages.

United States District Court Western District of Texas Austin Division, “[Proposed] Order Granting Stipulated Motion to Dismiss

Defendant Polar Pad, LLC, Without Prejudice, Pursuant to Fed. R. Civ. P. 21,” *YETI Coolers, LLC v. Polar Pad LLC, d/b/a Polar Pad Drifter, d/b/a Polar Pad, and Veterinary Internet Company, LLC, d/b/a VetInternetCo*, Case: 1:16-cv-00677-RP, Document #14, Sep. 15, 2016, 1 page.

United States District Court Western District of Texas Austin Division, “Answer,” *YETI Coolers, LLC v. Tree Leaf Marketing, LLC d/b/a Big Frig*, Case: 1:16-cv-00699-RP, Document #11, Oct. 21, 2016, 8 pages.

United States District Court Western District of Texas Austin Division, “Complaint” *YETI Coolers, LLC v. Zhejiang Zhuosheng Industry & Trade Co, Ltd., d/b/a Wuyi Zhuosheng Household Metal Products Co., Ltd., d/b/a Yongkang Zhuosheng Metal Products Co., Ltd., d/b/a Zhejiang Zhuosheng Industry & Trade Co, Ltd.*, Case 1:17-cv-00821, Document 1, filed Aug. 23, 2017, 27 pages.

United States District Court Western District of Texas Austin Division, “Complaint,” *YETI Coolers, LLC v. Bayou Ice Boxes, Inc.*, Case: 1:17-cv-00261, Document #1, filed Mar. 24, 2017, 41 pages.

United States District Court Western District of Texas Austin Division, “Complaint,” *YETI Coolers, LLC v. Benner China and Glassware Florida, Inc.*, Case: 1:16-cv-00142-RP, Document #1, filed Feb. 16, 2016, 21 pages.

United States District Court Western District of Texas Austin Division, “Complaint,” *YETI Coolers, LLC v. Blackbird Products Group, LLC, d/b/a Mammoth Coolers*, Case: 1:15-cv-01105, Document #1, filed Dec. 7, 2015, 266 pages.

United States District Court Western District of Texas Austin Division, “Complaint,” *YETI Coolers, LLC v. Gametime Sidekicks, LLC*, Case 1:17-cv-00413, Document 1, filed May 5, 2017, 107 pages.

United States District Court Western District of Texas Austin Division, “Complaint,” *YETI Coolers, LLC v. Glacier Coolers, LLC, and Tecomate Holdings, LLC*, Case 1:17-cv-00586, Document 1, filed Jun. 15, 2017, 161 pages.

United States District Court Western District of Texas Austin Division, “Complaint,” *YETI Coolers, LLC v. Godinger Silver Art, Ltd., Cathy’s Concepts, Inc., Viatak Consumer Products Group, Inc.*, Case: 1:17-cv-00467, Document #1, filed May 16, 2017, 22 pages.

United States District Court Western District of Texas Austin Division, “Complaint,” *YETI Coolers, LLC v. Gourmet Home Products, LLC*, Case: 1:17-cv-00533, Document #1, filed Jun. 2, 2017, 25 pages.

United States District Court Western District of Texas Austin Division, “Complaint,” *YETI Coolers, LLC v. Great American Products, Ltd.*, Case: 1:15-cv-00686, Document #1, filed Aug. 6, 2015, 20 pages.

United States District Court Western District of Texas Austin Division, “Complaint,” *YETI Coolers, LLC v. Home Depot U.S.A., Inc., Takeya USA Corporation*, Case: 1:17-cv-00342, Document #1, filed Apr. 12, 2017, 24 pages.

United States District Court Western District of Texas Austin Division, “Complaint,” *YETI Coolers, LLC v. Ideastage Promotions, LLC, d/b/a Swag Brokers*, Case: 1:15-cv-00774, Document #1, filed Sep. 2, 2015, 22 pages.

United States District Court Western District of Texas Austin Division, “Complaint,” *YETI Coolers, LLC v. Imagen Brands, LLC, d/b/a Crown Products, and Ebsco Industries, Inc.*, Case: 1:16-cv-00578-RP, Document #1, filed May 16, 2016, 20 pages.

United States District Court Western District of Texas Austin Division, “Complaint,” *YETI Coolers, LLC v. JDS Industries, Inc., Lionel Laundry Jr., d/b/a Accolades Awards & Engraving, Creating and Fast LLC d/b/a Promotional Products San Antonio, Kelly Scoggins d/b/a King Engraving, Jamey Z. Apps d/b/a Roberts Trophies, and Eagle Media, Inc.*, Case 1:17-cv-00424, Document 1, filed May 5, 2017, 62 pages.

United States District Court Western District of Texas Austin Division, “Complaint,” *YETI Coolers, LLC v. Jennifer Leverne Bootz Evans d/b/a Bling and Burlap Buy In’s and Blanks*, Case: 1:15-cv-00995, Document #1, filed Nov. 2, 2015, 128 pages.

United States District Court Western District of Texas Austin Division, “Complaint,” *YETI Coolers, LLC v. Kaiser Group Inc.*,

(56)

References Cited

OTHER PUBLICATIONS

d/b/a Thermo Steel, d/b/a Vino2GO, d/b/a Brew2Go, Case: 1:15-cv-00725, Document #1, filed Aug. 19, 2015, 21 pages.

United States District Court Western District of Texas Austin Division, "Complaint," *YETI Coolers, LLC v. Kodiak Coolers, LLC and Flexible Automation LLC*, Case 1:17-cv-00422, Document 1, filed May 5, 2017, 51 pages.

United States District Court Western District of Texas Austin Division, "Complaint," *YETI Coolers, LLC v. Kuer Outdoors, LLC*, Case: 1:16-cv-00631, Document #1, filed May 27, 2016, 89 pages.

United States District Court Western District of Texas Austin Division, "Complaint," *YETI Coolers, LLC v. Magnum Solace LLC*, Case: 1:16-cv-00663-RP, Document #1, filed Jun. 7, 2016, 24 pages.

United States District Court Western District of Texas Austin Division, "Complaint," *YETI Coolers, LLC v. MyCrew, LLC, MyCrew Drinkware, LLC and NNRiverLife, LLC*, Case: 1:16-cv-01008, Document #1, filed Aug. 26, 2016, 29 pages.

United States District Court Western District of Texas Austin Division, "Complaint," *YETI Coolers, LLC v. Polar Pad LLC, d/b/a Polar Pad Drifter, d/b/a Polar Pad, and Veterinary Internet Company, LLC, d/b/a VetInternetCo*, Case: 1:16-cv-00128, Document #1, Feb. 12, 2016, 24 pages.

United States District Court Western District of Texas Austin Division, "Complaint," *YETI Coolers, LLC v. Polar Pad LLC, d/b/a Polar Pad Drifter, d/b/a Polar Pad, and Veterinary Internet Company, LLC, d/b/a VetInternetCo*, Case: 1:16-cv-00677, Document #1, Jun. 10, 2016, 25 pages.

United States District Court Western District of Texas Austin Division, "Complaint," *YETI Coolers, LLC v. RTIC Coolers, LLC*, Case: 1:16-cv-00264, Document #1, filed Mar. 2, 2016, 34 pages.

United States District Court Western District of Texas Austin Division, "Complaint," *YETI Coolers, LLC v. Sam's West, Inc., and Sam's East, Inc.*, Case: 1:16-cv-00829, Document #1, Jun. 30, 2016, 21 pages.

United States District Court Western District of Texas Austin Division, "Complaint," *YETI Coolers, LLC v. Sic Products LLC, d/b/a Sic Cups, d/b/a Sic*, Case: 1:16-cv-00117-RP, Document #1, Feb. 4, 2016, 23 pages.

United States District Court Western District of Texas Austin Division, "Complaint," *YETI Coolers, LLC v. The Allen Company, d/b/a Allen Color Craft*, Case: 1:15-cv-00888-RP, Document #1, Oct. 6, 2015, 24 pages.

United States District Court Western District of Texas Austin Division, "Complaint," *YETI Coolers, LLC v. The Boelter Companies, Inc., Boelter Brands, LLC and Boelter Beverage, LLC*, Case: 1:16-cv-00456, Document #1, filed Apr. 8, 2016, 20 pages.

United States District Court Western District of Texas Austin Division, "Complaint," *YETI Coolers, LLC v. Titan Custom Products, Inc.*, Case: 1:15-cv-00775, Document #1, Sep. 2, 2015, 22 pages.

United States District Court Western District of Texas Austin Division, "Complaint," *YETI Coolers, LLC v. Tree Leaf Marketing, LLC d/b/a Big Frig*, Case: 1:16-cv-00699, Document #1, Jun. 17, 2016, 33 pages.

United States District Court Western District of Texas Austin Division, "Complaint," *YETI Coolers, LLC v. US Imprints, LLC, d/b/a GOimprints*, Case: 1:15-cv-00773, Document #1, Sep. 2, 2015, 22 pages.

United States District Court Western District of Texas Austin Division, "Complaint," *YETI Coolers, LLC v. Vickery Products, LLC d/b/a Axis Cups, f/d/b/a Frio Cups*, Case: 1:17-cv-00260, Document #1, filed Mar. 24, 2017, 52 pages.

United States District Court Western District of Texas Austin Division, "Complaint," *YETI Coolers, LLC v. Vickery Products, LLC d/b/a Axis Cups, f/d/b/a Frio Cups*, Case: 1:17-cv-00260, Document #1, Mar. 24, 2017, 52 pages.

United States District Court Western District of Texas Austin Division, "Complaint," *YETI Coolers, LLC v. Wadley Holdings,*

LLC d/b/a Meadowcraft, and Southern Sales & Marketing Group, Inc. d/b/a/ nICE, Case 1:17-cv-00421, Document 1, filed May 5, 2017, 121 pages.

United States District Court Western District of Texas Austin Division, "Complaint," *YETI Coolers, LLC v. Wal-Mart Stores, Inc.*, Case: 1:16-cv-00454, Document #1, Apr. 8, 2016, 29 pages.

United States District Court Western District of Texas Austin Division, "Consent Judgment," *YETI Coolers, LLC v. The Boelter Companies, Inc., Boelter Brands, LLC and Boelter Beverage, LLC*, Case: 1:16-cv-00456-RP, Document #25, filed Sep. 13, 2016, 3 pages.

United States District Court Western District of Texas Austin Division, "Defendant Blackbird Products Group, LLC's Answer and Affirmative Defenses to Plaintiff YETI Coolers, LLC's Complaint," *YETI Coolers, LLC v. Blackbird Products Group, LLC, d/b/a Mammoth Coolers*, Case: 1:15-cv-01105-SS, Document #13, filed Dec. 28, 2015, 11 pages.

United States District Court Western District of Texas Austin Division, "Defendant Kaiser Group Inc.'s Answer, Affirmative Defenses, and Counterclaims to Plaintiff YETI Coolers, LLC's Complaint," *YETI Coolers, LLC v. Kaiser Group Inc., d/b/a Thermo Steel, d/b/a Vino2Go, d/b/a Brew2GO*, Case: 1:15-cv-00725-RP, Document #14, filed Oct. 13, 2015, 65 pages.

United States District Court Western District of Texas Austin Division, "Defendant RTIC Drinkware, LLC, RTIC Web Services, LLC, Corporate Support & Fulfillment, LLC, John Jacobsen, and James Jacobsen's Answer and Counterclaims to YETI's First Amended Complaint for Damages and Injunctive Relief," *YETI Coolers, LLC v. RTIC Coolers, LLC, RTIC Drinkware, LLC, RTIC Web Services, LLC, Corporate Support & Fulfillment, LLC; John Jacobsen; and James Jacobsen*, Case: 1:16-cv-00264-RP, Document #25, filed Jun. 13, 2016, 42 pages.

United States District Court Western District of Texas Austin Division, "Defendant's Answer to Plaintiff's Complaint and Affirmative Defenses," *YETI Coolers, LLC v. MyCrew, LLC, MyCrew Drinkware, LLC and NNRiverLife, LLC*, Case: 1:16-cv-01008-RP, Document #14, filed Nov. 29, 2016, 12 pages.

United States District Court Western District of Texas Austin Division, "Defendant's Answer," *YETI Coolers, LLC v. Magnum Solace LLC*, Case: 1:16-cv-00663-RP, Document #34, filed Apr. 13, 2017, 7 pages.

United States District Court Western District of Texas Austin Division, "Defendant's Rule 12(B)(6) Motion to Dismiss For Failure to State a Claim," *YETI Coolers, LLC v. Magnum Solace LLC*, Case: 1:16-cv-00663-RP, Document #10, filed Aug. 5, 2016, 30 pages.

United States District Court Western District of Texas Austin Division, "Defendants Sam's West, Inc. and Sam's East, Inc.'s Answer to Complaint," *YETI Coolers, LLC v. Sam's West, Inc., and Sam's East, Inc.*, Case: 1:16-cv-00829-RP, Document #16, filed Aug. 26, 2016, 11 pages.

United States District Court Western District of Texas Austin Division, "Defendants' Answer to Complaint," *YETI Coolers, LLC v. The Boelter Companies, Inc., Boelter Brands, LLC and Boelter Beverage, LLC*, Case: 1:16-cv-00456-RP, Document #21, filed Jun. 7, 2016, 9 pages.

United States District Court Western District of Texas Austin Division, "First Amended Complaint," *YETI Coolers, LLC v. Sam's West, Inc., and Sam's East, Inc.*, Case: 1:16-cv-00829-RP, Document #32, filed Jan. 9, 2017, 24 pages.

United States District Court Western District of Texas Austin Division, "First Amended Complaint," *YETI Coolers, LLC v. Sic Products LLC, d/b/a Sic Cups, d/b/a Sic*, Case: 1:16-cv-00117-RP, Document #34, Nov. 21, 2016, 25 pages.

United States District Court Western District of Texas Austin Division, "First Amended Complaint," *YETI Coolers, LLC v. Wal-Mart Stores, Inc. and Olympia Tools International, Inc.*, Case: 1:16-cv-00454-RP, Document #17, May 24, 2016, 26 pages.

United States District Court Western District of Texas Austin Division, "Olympia Tools International, Inc.'s Answer to YETI Coolers, LLC's First Amended Complaint," *YETI Coolers, LLC v. Wal-Mart Stores, Inc. and Olympia Tools International, Inc.*, Case: 1:16-cv-00454-RP, Document #28, Jul. 14, 2016, 12 pages.

(56)

References Cited

OTHER PUBLICATIONS

United States District Court Western District of Texas Austin Division, "Order," *RTIC Drinkware, LLC v. Yeti Coolers, LLC*, Case: 1:16-cv-00907-RP, Document #47, filed Oct. 13, 2016, 3 pages.

United States District Court Western District of Texas Austin Division, "Order," *YETI Coolers, LLC v. Blackbird Products Group, LLC, d/b/a Mammoth Coolers*, Case: 1:15-cv-01105-RP, Document #26, filed Apr. 20, 2016, 1 page.

United States District Court Western District of Texas Austin Division, "Order," *YETI Coolers, LLC v. Great American Products, Ltd.*, Case: 1:15-cv-00686-RP, Document #25, filed Mar. 14, 2016, 1 page.

United States District Court Western District of Texas Austin Division, "Order," *YETI Coolers, LLC v. Ideastage Promotions, LLC, d/b/a Swag Brokers*, Case: 1:15-cv-00774-RP, Document #19, filed Dec. 21, 2015, 1 page.

United States District Court Western District of Texas Austin Division, "Order," *YETI Coolers, LLC v. Jennifer Leverne Bootz Evans d/b/a Bling and Burlap Buy In's and Blanks*, Case: 1:15-cv-00995-RP, Document #18, filed Apr. 18, 2016, 1 page.

United States District Court Western District of Texas Austin Division, "Order," *YETI Coolers, LLC v. Polar Pad LLC, d/b/a Polar Pad Drifter, d/b/a Polar Pad, and Veterinary Internet Company, LLC, d/b/a VetInternetCo*, Case: 1:16-cv-00128-RP, Document #17, Jun. 17, 2016, 1 page.

United States District Court Western District of Texas Austin Division, "Order," *YETI Coolers, LLC v. US Imprints, LLC, d/b/a GOimprints*, Case: 1:15-cv-00773-RP, Document #23, Apr. 25, 2016, 1 page.

United States District Court Western District of Texas Austin Division, "Plaintiff YETI Coolers, LLC's Original Complaint," *YETI Coolers, LLC v. Ontel Products Corporation and World Pack USA, LLC*, Case: 1:17-cv-00091-RP, Document #1, filed Feb. 8, 2017, 65 pages.

United States District Court Western District of Texas Austin Division, "Plaintiffs' Complaint for Damages and Injunctive Relief," *Yeti Coolers, LLC v. Houssam Rabi d/b/a Hoo-Sizzy*, Case 1:17-cv-00418, Document 1, filed May 5, 2017, 37 pages.

United States District Court Western District of Texas Austin Division, "Plaintiffs' Complaint for Damages and Injunctive Relief," *YETI Coolers, LLC v. Seth Stevens d/b/a SDS Marketing d/b/a Eskimo Coolers, Panther Group LLC d/b/a Eskimo Coolers, Panther Group Sales, LLC d/b/a Eskimo Coolers, and Silver Fox Sales, LLC*, Case 1:17-cv-00423, Document 1, filed May 5, 2017, 77 pages.

United States District Court Western District of Texas Austin Division, "RTIC Drinkware's First Amended Complaint for Declaratory Judgment," *RTIC Drinkware, LLC v. YETI Coolers, LLC*, Case: 1:16-cv-00907-RP, Document #52, filed Nov. 14, 2016, 124 pages.

United States District Court Western District of Texas Austin Division, "SIC Products, LLC's Answer, Affirmative Defenses, and Counterclaims to Plaintiff's Amended Complaint," *YETI Coolers,*

LLC v. Sic Products LLC, d/b/a Sic Cups, d/b/a Sic, Case: 1:16-cv-00117-RP, Document #35, Dec. 5, 2016, 81 pages.

United States District Court Western District of Texas Austin Division, "Sic Products, LLC's Answer, Affirmative Defenses, and Counterclaims to Plaintiff's Complaint," *YETI Coolers, LLC v. Sic Products LLC, d/b/a Sic Cups, d/b/a Sic*, Case: 1:16-cv-00117-RP, Document #14, Jun. 3, 2016, 38 pages.

United States District Court Western District of Texas Austin Division, "Veterinary Internet Company, LLC d/b/a VetInternetCo's Answer to Plaintiff's Complaint," *YETI Coolers, LLC v. Polar Pad LLC, d/b/a Polar Drifter, d/b/a Polar Pad, and Veterinary Internet Company, LLC, d/b/a VetInternetCo*, Case: 1:16-cv-00677-RP, Document #11, Aug. 19, 2016, 12 pages.

United States District Court Western District of Texas Austin Division, "Wal-Mart Stores, Inc.'s Answer to First Amended Complaint," *YETI Coolers, LLC v. Wal-Mart Stores, Inc. and Olympia Tools International, Inc.*, Case: 1:16-cv-00454-RP, Document #22, Jun. 7, 2016, 13 pages.

United States District Court Western District of Texas Austin Division, "YETI Coolers, LLC's Answer to RTIC Drinkware LLC's Complaint," *RTIC Drinkware, LLC v. YETI Coolers, LLC*, Case: 1:16-cv-00907-RP, Document #35, filed Aug. 9, 2016, 27 pages.

United States District Court Western District of Texas Austin Division, "YETI Coolers, LLC's Answer to RTIC Drinkware's First Amended Complaint," *RTIC Drinkware, LLC v. YETI Coolers, LLC*, Case: 1:16-cv-00907-RP, Document #58, filed Dec. 1, 2016, 15 pages.

United States District Court Western District of Texas Austin Division, "YETI Coolers, LLC's Answer to RTIC Drinkware, LLC's, RTIC Web Services, LLC's, Corporate Support & Fulfillment, LLC's, John Jacobsen's, and James Jacobsen's Counterclaims," *YETI Coolers, LLC v. RTIC Coolers, LLC, RTIC Drinkware, LLC, RTIC Web Services, LLC, Corporate Support & Fulfillment, LLC, John Jacobsen, and James Jacobsen*, Case: 1:16-cv-00264-RP, Document #31, filed Jul. 7, 2016, 7 pages.

United States District Court Western District of Texas Austin Division, "YETI Coolers, LLC's Answer to SIC Products, LLC Counterclaims to YETI Coolers, LLC's Amended Complaint," *YETI Coolers, LLC v. Sic Products LLC, d/b/a Sic Cups, d/b/a Sic*, Case: 1:16-cv-00117-RP, Document #38, Dec. 19, 2016, 20 pages.

United States District Court Western District of Texas Austin Division, "YETI Coolers, LLC's Answer to SIC Products, LLC Counterclaims," *YETI Coolers, LLC v. Sic Products LLC, d/b/a Sic Cups, d/b/a Sic*, Case: 1:16-cv-00117-RP, Document #21, Sep. 29, 2016, 15 pages.

United States District Court Western District of Texas Austin Division, "YETI Coolers, LLC's First Amended Complaint," *YETI Coolers, LLC v. RTIC Coolers, LLC, RTIC Drinkware, LLC, RTIC Web Services, LLC, Corporate Support & Fulfillment, LLC, John Jacobsen, and James Jacobsen*, Case: 1:16-cv-00264-RP, Document #15, filed May 16, 2016, 110 pages.

Vat19, "16 oz. Dual Auto/USB Heated Mug", retrieved from <<https://www.vat19.com/item/16-oz-dual-auto-usb-heater-coffee-mug>> on Aug. 27, 2015.

* cited by examiner

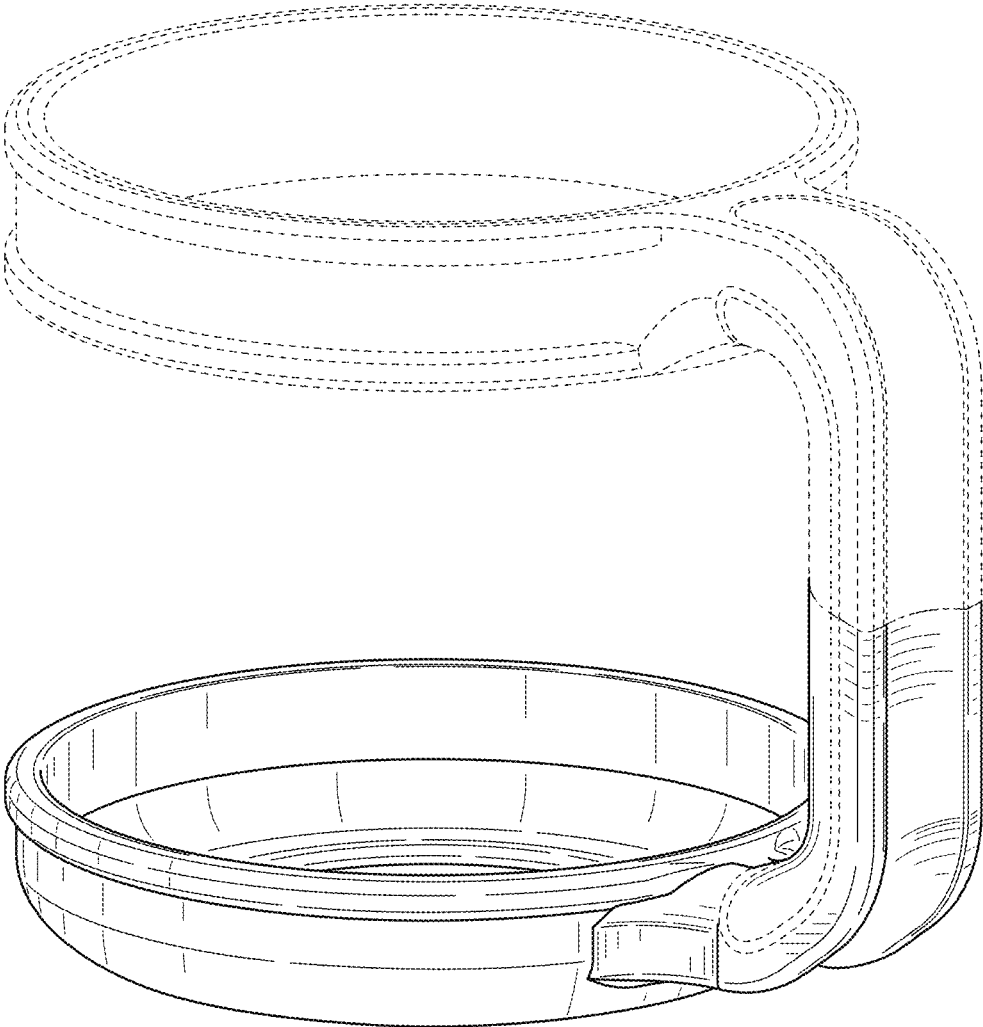


FIG. 1

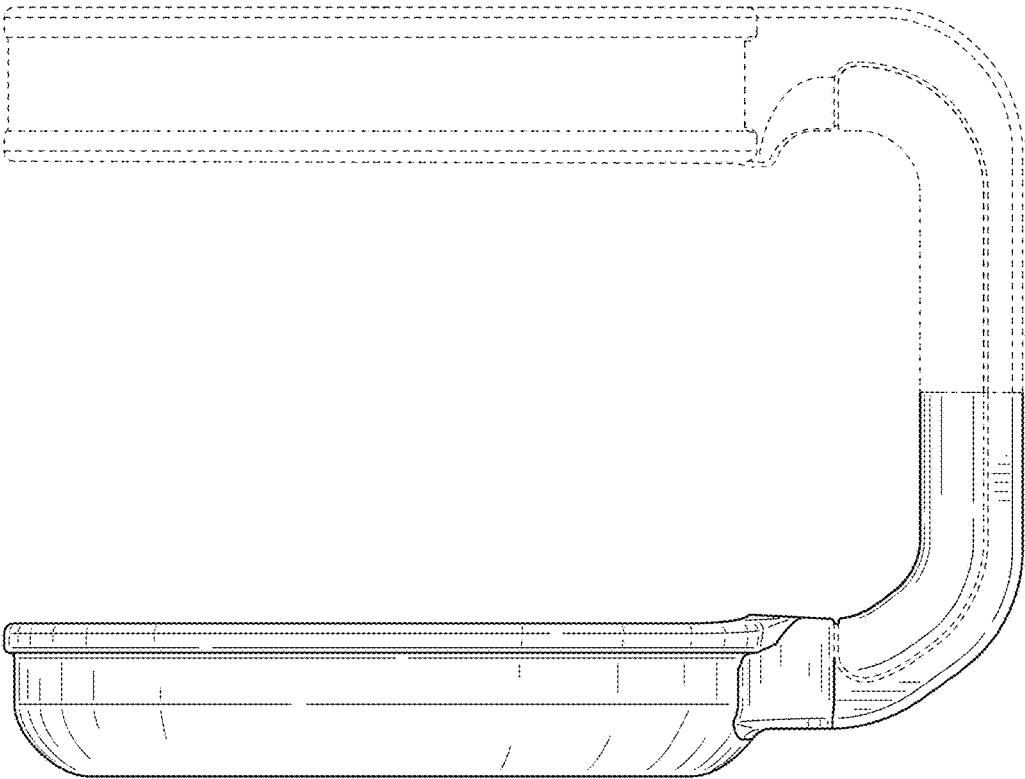


FIG. 2

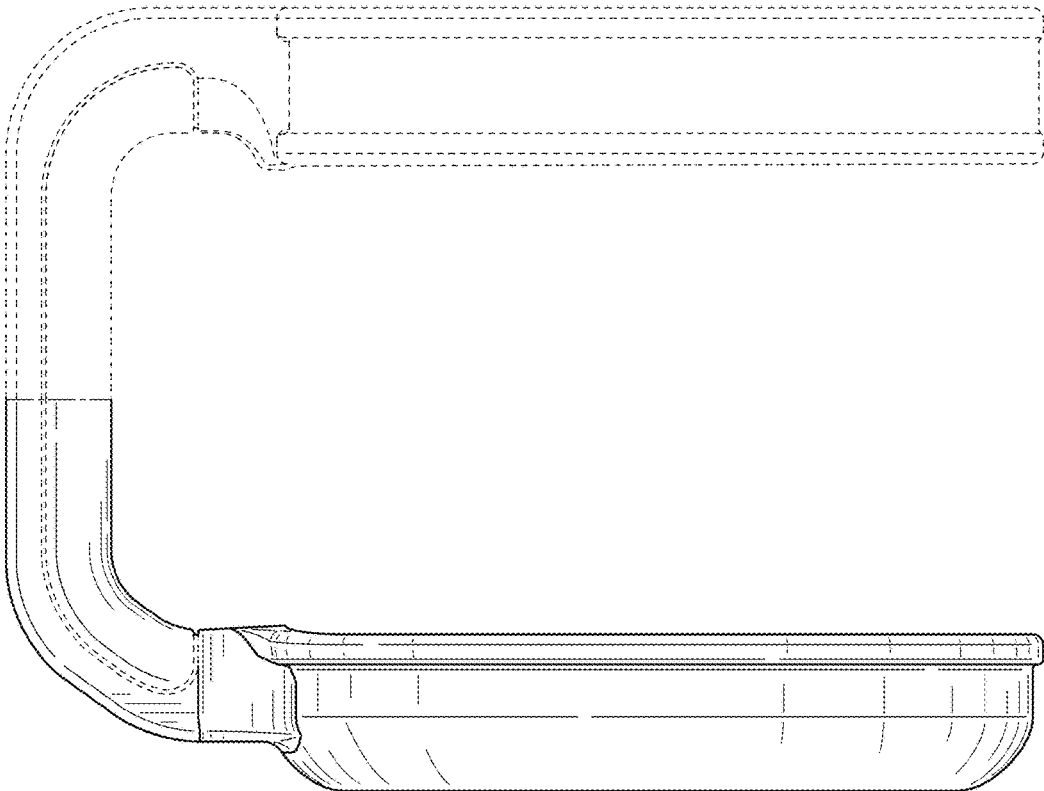


FIG. 3

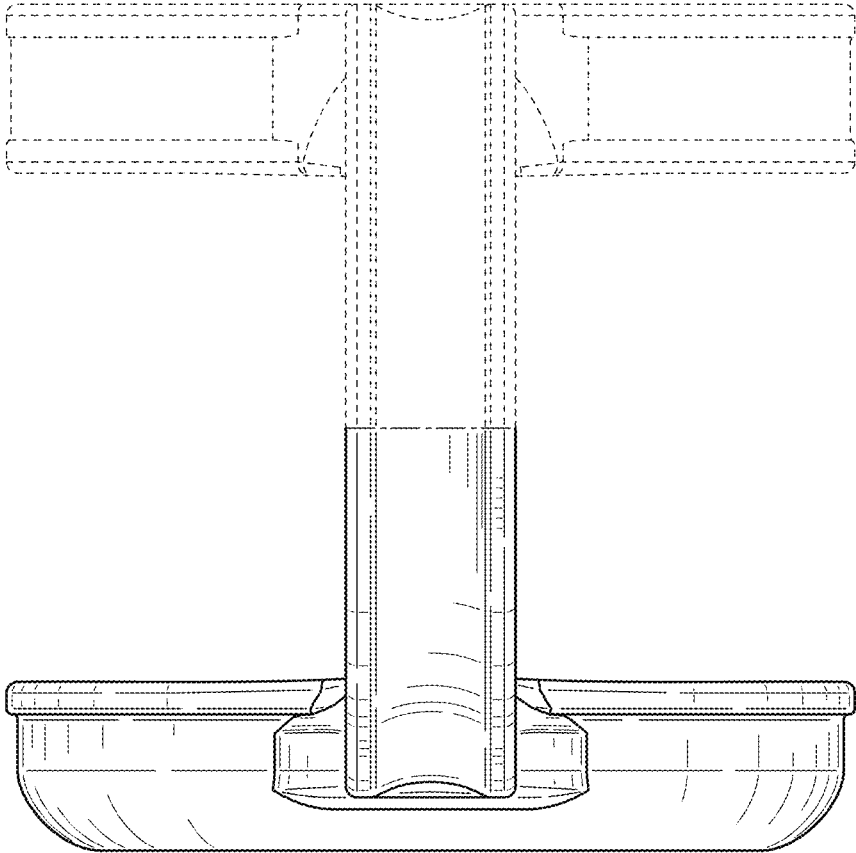


FIG. 4

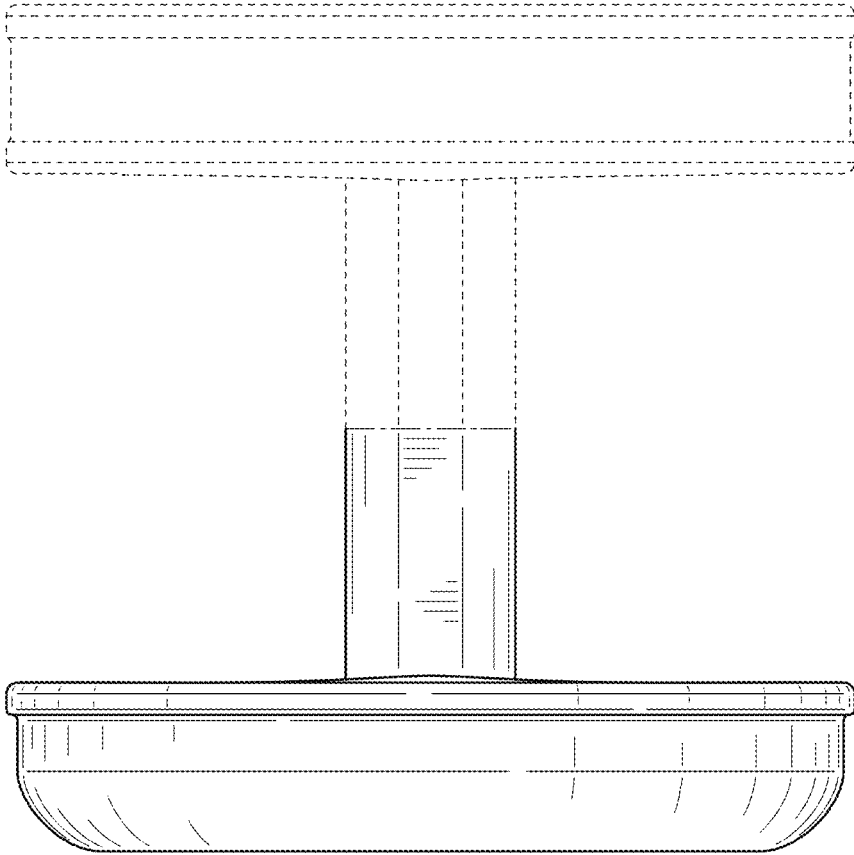


FIG. 5

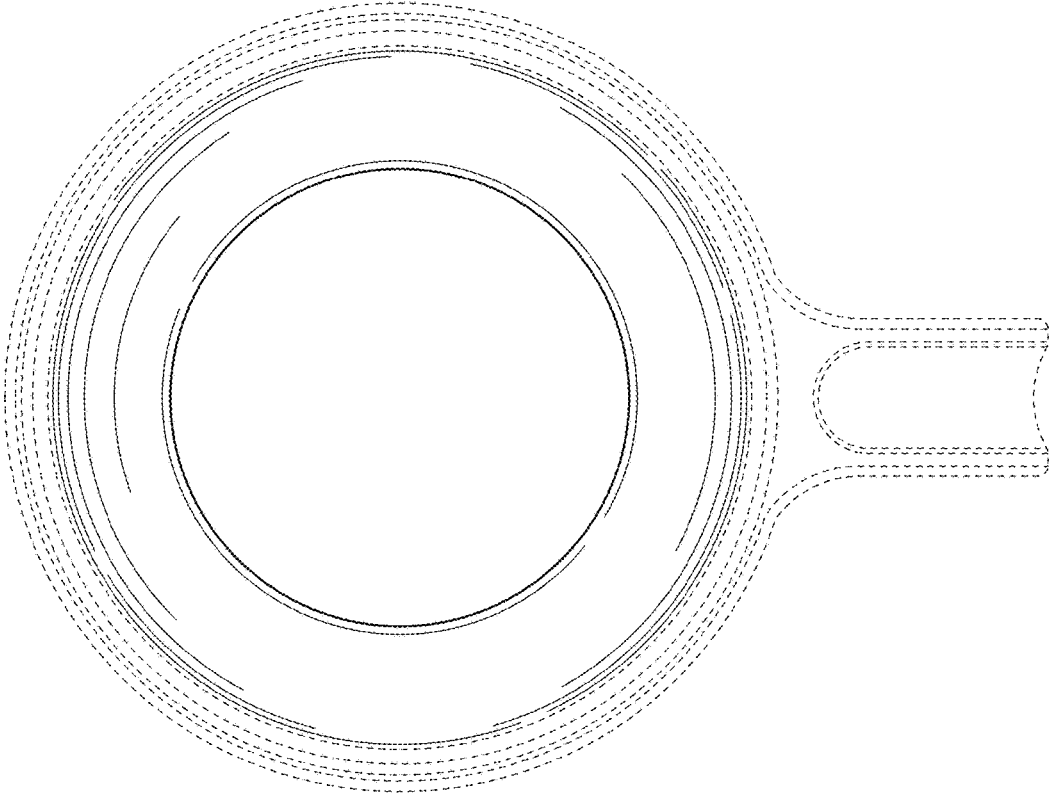


FIG. 6

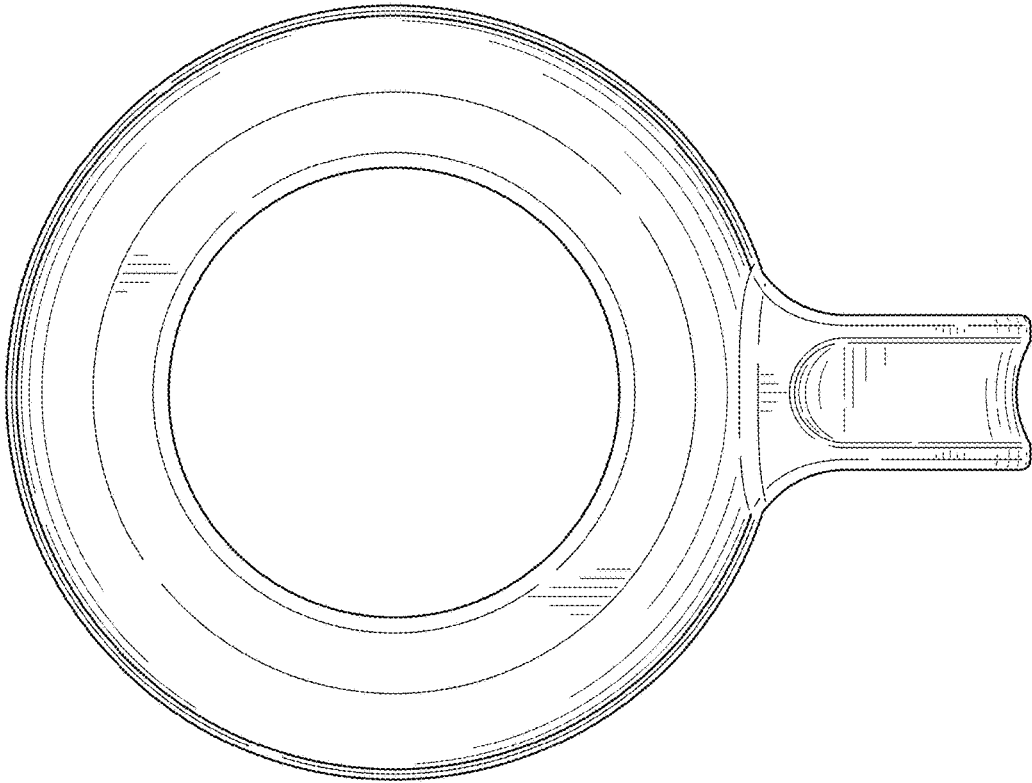


FIG. 7