



US00D636813S

(12) **United States Design Patent**  
**Kikuchi et al.**

(10) **Patent No.:** **US D636,813 S**

(45) **Date of Patent:** **\*\* Apr. 26, 2011**

(54) **END CAP OF POWDER CONTAINER**

(75) Inventors: **Kenji Kikuchi**, Zama (JP); **Hideki Kimura**, Yokohama (JP)

(73) Assignee: **Ricoh Company, Ltd.**, Tokyo (JP)

(\*\*) Term: **14 Years**

(21) Appl. No.: **29/375,492**

(22) Filed: **Sep. 23, 2010**

**Related U.S. Application Data**

(62) Division of application No. 29/357,017, filed on Mar. 5, 2010, now abandoned.

(51) **LOC (9) Cl.** ..... **16-03**

(52) **U.S. Cl.** ..... **D18/43**

(58) **Field of Classification Search** ..... D14/462,  
D14/471, 474, 475; D18/12, 36, 40, 43,  
D18/44, 56; 222/DIG. 1; 347/197, 214,  
347/222; 399/24-28, 107-112, 119, 121,  
399/122, 222-224

See application file for complete search history.

(56) **References Cited**

**U.S. PATENT DOCUMENTS**

6,298,208 B1 10/2001 Kawamura et al.  
D500,074 S 12/2004 Naraoka  
D532,037 S 11/2006 Tsuda et al.  
D598,949 S \* 8/2009 Kurenuma et al. .... D18/43  
D599,845 S 9/2009 Kurenuma et al.  
D600,275 S \* 9/2009 Kurenuma et al. .... D18/43

D602,519 S \* 10/2009 Kurenuma et al. .... D18/43

D602,985 S 10/2009 Yoshizawa

D606,583 S \* 12/2009 Kurenuma et al. .... D18/43

D607,045 S \* 12/2009 Kurenuma et al. .... D18/43

2010/0129118 A1 5/2010 Kimura et al.

\* cited by examiner

*Primary Examiner* — Garth Rademaker

(74) *Attorney, Agent, or Firm* — Dickstein Shapiro LLP

(57) **CLAIM**

The ornamental design for an end cap of powder container, as shown and described.

**DESCRIPTION**

FIG. 1 is a top, rear and left side perspective view of an end cap of powder container, showing the new design;

FIG. 2 is a bottom, front and right side perspective view thereof;

FIG. 3 is a top, front and right side perspective view thereof;

FIG. 4 is a bottom, rear and left side perspective view thereof;

FIG. 5 is a front view thereof;

FIG. 6 is a rear view thereof;

FIG. 7 is a right side view thereof;

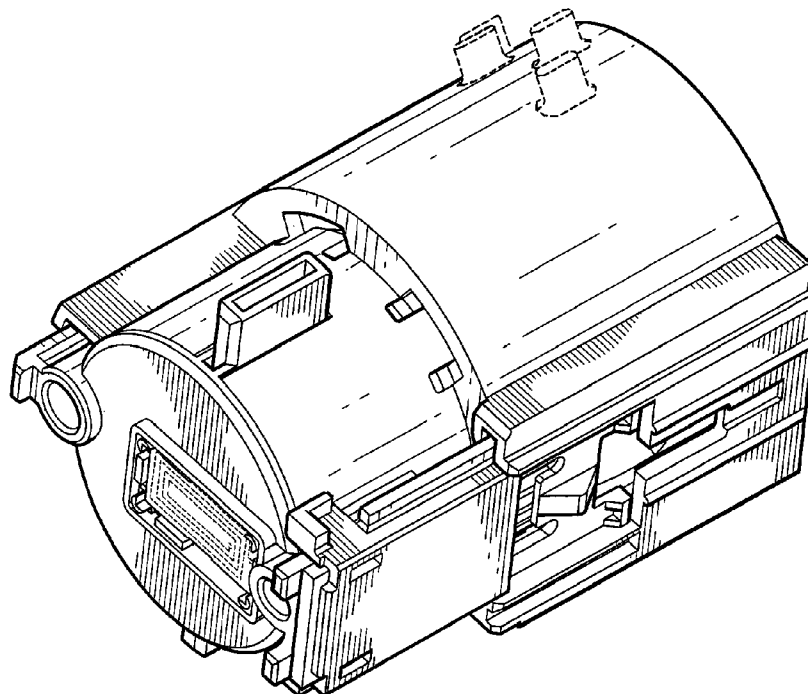
FIG. 8 is a left side view thereof;

FIG. 9 is a top view thereof; and

FIG. 10 is a bottom view thereof.

The broken lines depict environmental subject matter only and form no part of the claimed design.

**1 Claim, 6 Drawing Sheets**



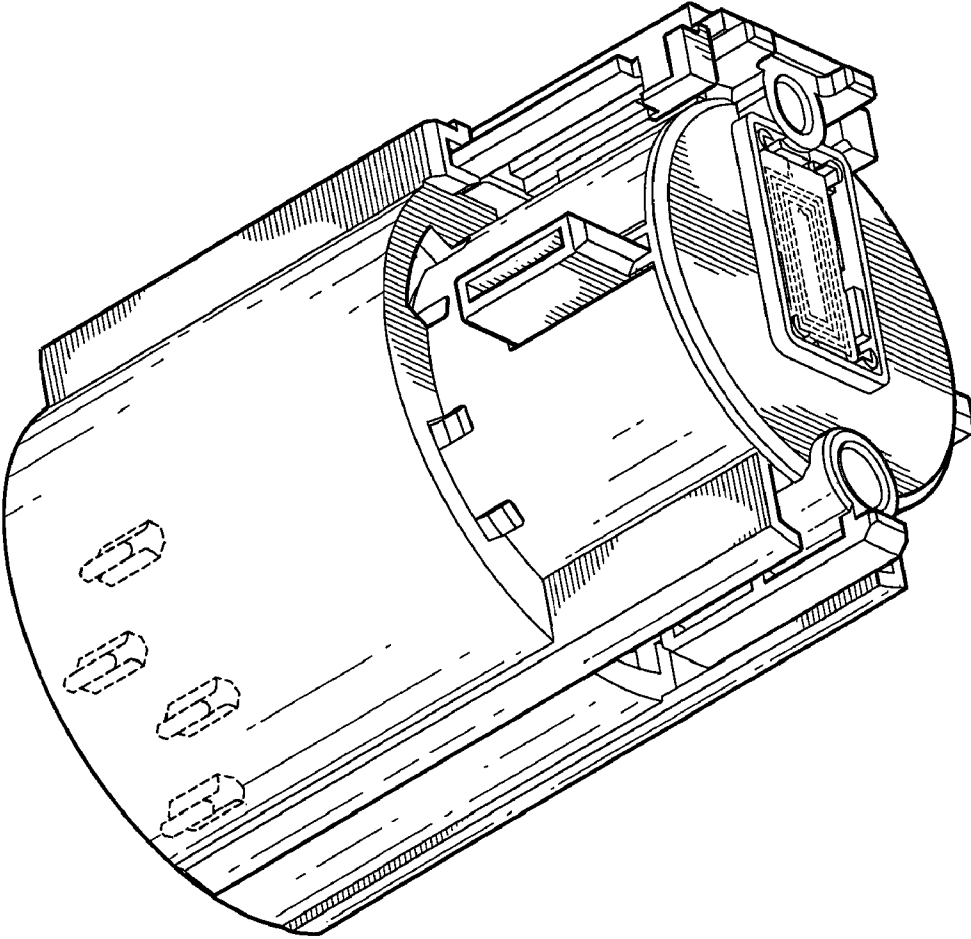


FIG. 1

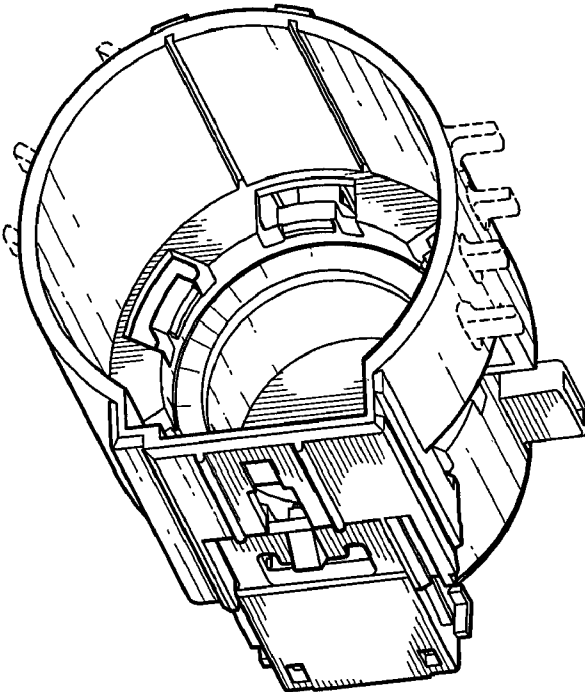


FIG. 2

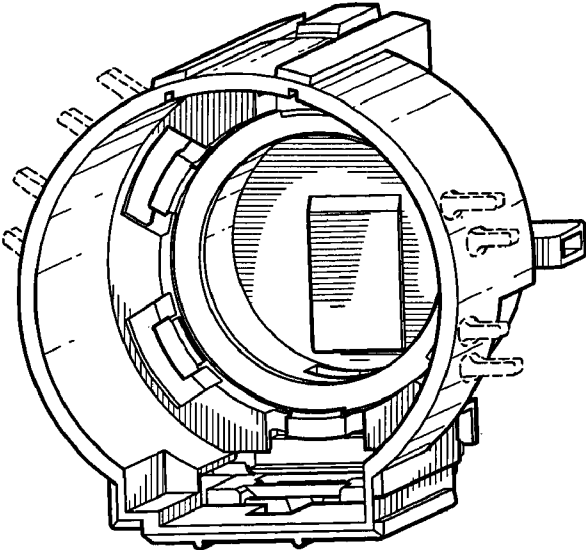


FIG. 3

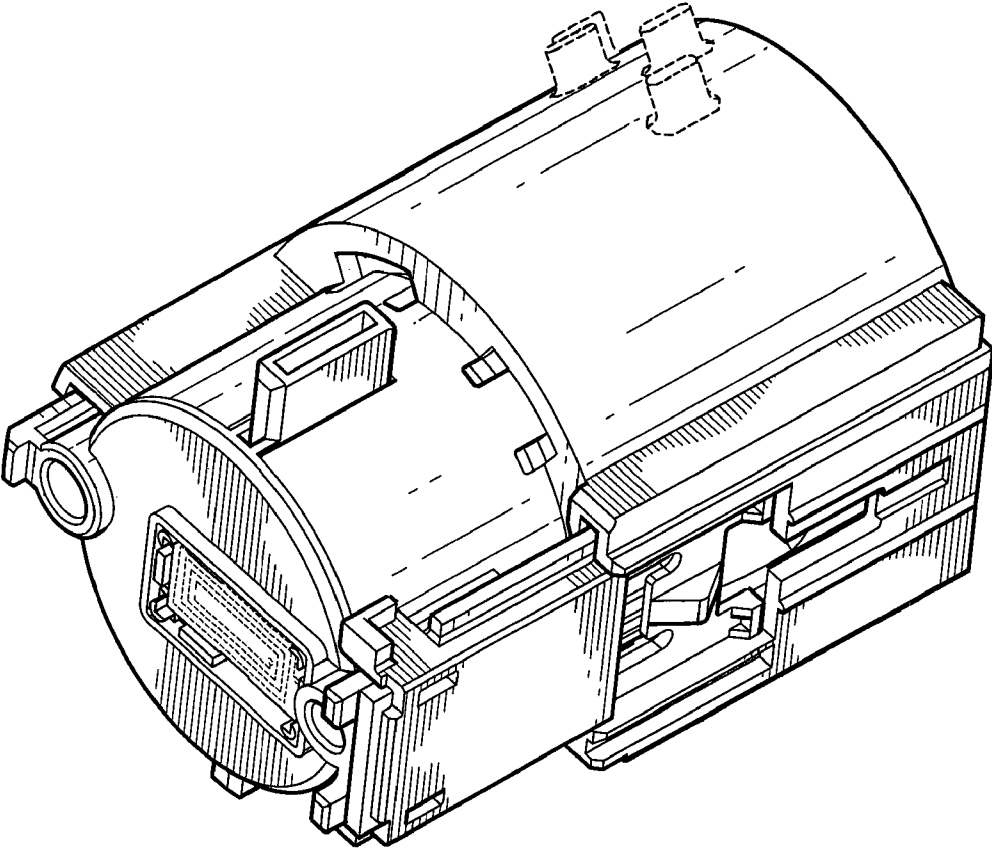


FIG. 4

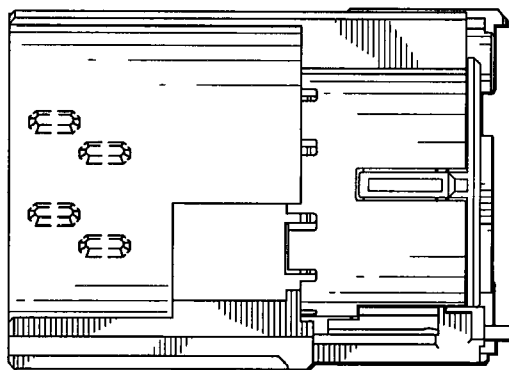


FIG. 5

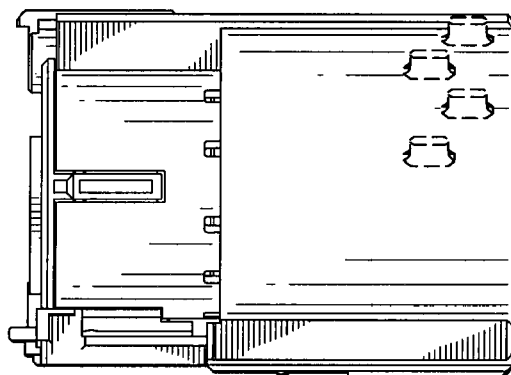


FIG. 6

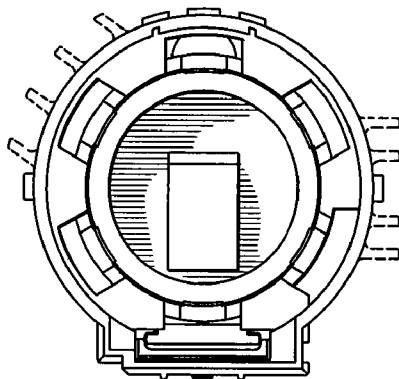


FIG. 7

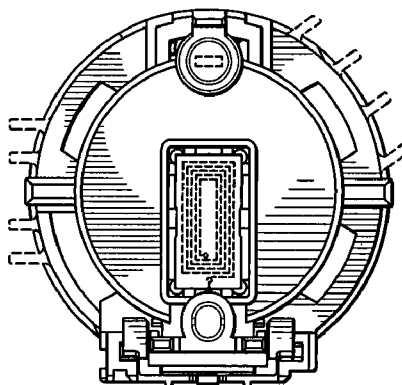


FIG. 8

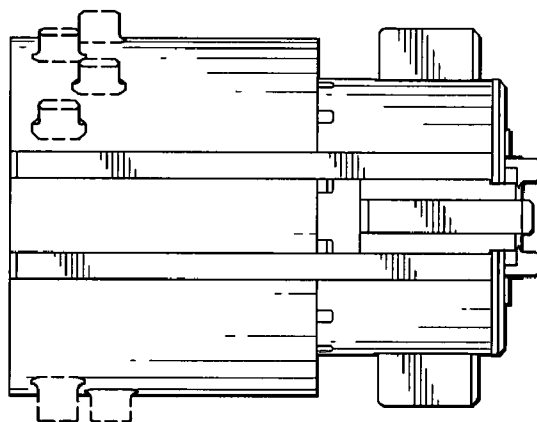


FIG. 9

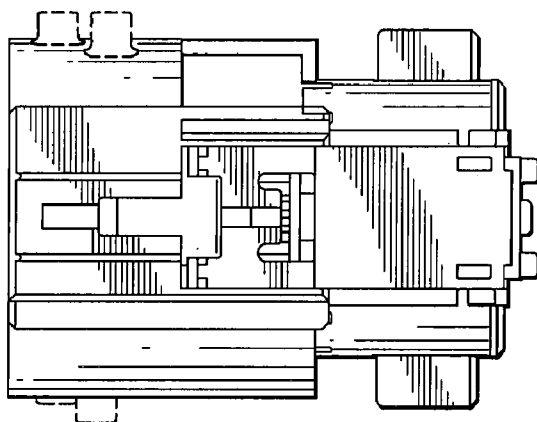


FIG. 10