



US00D720554S

(12) **United States Design Patent**
Hardy

(10) **Patent No.:** **US D720,554 S**
(45) **Date of Patent:** **** Jan. 6, 2015**

- (54) **BEDSIDE CHARGING STATION**
- (76) Inventor: **LaRhondda L. Hardy**, Nixa, MO (US)
- (**) Term: **14 Years**
- (21) Appl. No.: **29/420,300**
- (22) Filed: **May 7, 2012**
- (51) **LOC (10) Cl.** **06-06**
- (52) **U.S. Cl.**
USPC **D6/513**
- (58) **Field of Classification Search**
CPC H01H 9/025; A47C 21/003
USPC D13/103-109, 118-122; D6/513, 514,
D6/553, 567-574; D3/305-315; 5/503.1;
211/70.7, 26.1, 85.3, 113, 86.01
See application file for complete search history.

6,402,002 B1 *	6/2002	Benton	224/600
D472,711 S *	4/2003	Chen	D3/313
D497,755 S *	11/2004	Wood et al.	D6/553
6,848,132 B1	2/2005	Dale	
D524,052 S *	7/2006	Schley	D3/315
D563,136 S *	3/2008	Kramer	D6/553
D580,987 S *	11/2008	Diller	D19/77
D600,017 S *	9/2009	Christie	D3/304
D601,837 S *	10/2009	Evans	D6/553
D608,574 S *	1/2010	Goodman et al.	D6/513
D639,092 S *	6/2011	Lundy	D6/513
D656,317 S *	3/2012	Baas et al.	D3/303

(Continued)

OTHER PUBLICATIONS

DormBedCaddy, lucyinthesty16, www.craftster.org/ published Jul. 31, 2008.

(Continued)

Primary Examiner — Susan Bennett Hattan
Assistant Examiner — Brett Miller
(74) *Attorney, Agent, or Firm* — Richard L. Marsh

(56) **References Cited**

U.S. PATENT DOCUMENTS

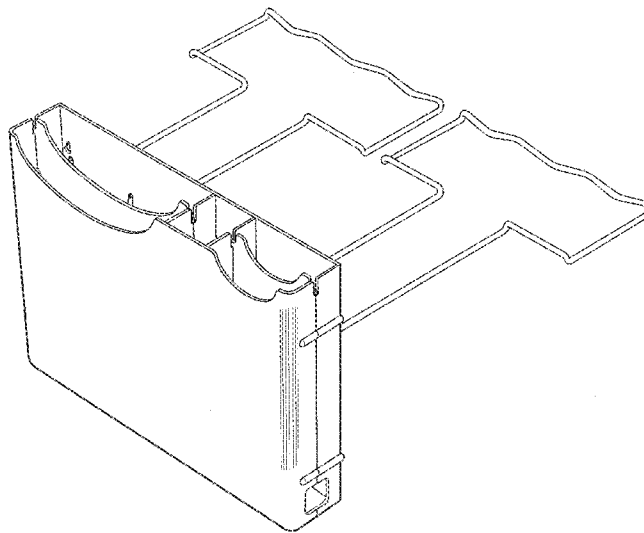
D267,383 S *	12/1982	Liptak et al.	D6/470
D297,693 S *	9/1988	Norstedt	D6/553
4,936,470 A *	6/1990	Prindle	211/70.7
5,108,000 A *	4/1992	Stoll et al.	220/23.4
D332,854 S *	1/1993	Waterston et al.	D34/10
D358,049 S *	5/1995	Wilson	D6/475
5,581,829 A *	12/1996	Lee	5/503.1
D377,876 S *	2/1997	Hatala et al.	D6/513
5,605,235 A *	2/1997	Johnson	211/26.1
D383,633 S *	9/1997	Schweitzer	D6/567
D391,078 S *	2/1998	Jacober et al.	D3/313
5,758,972 A *	6/1998	Mack et al.	5/503.1
D411,399 S *	6/1999	Stravitz	D6/567
D413,749 S *	9/1999	Stravitz	D6/567
D439,085 S *	3/2001	Quinn	D6/510
D447,371 S *	9/2001	Quinn	D6/510
D448,730 S *	10/2001	Lee	D13/137.4
D451,744 S *	12/2001	Stravitz	D6/571
D453,275 S *	2/2002	Stravitz	D6/570
D453,276 S *	2/2002	Stravitz	D6/571
6,374,440 B1	4/2002	Thim, Jr.	

(57) **CLAIM**
The ornamental design for a bedside charging station, as shown and described.

DESCRIPTION

FIG. 1 is an upper right perspective view of a bedside charging station showing my new design.
FIG. 2 is a front elevation view thereof
FIG. 3 is a rear elevation view thereof.
FIG. 4 is a top plan view thereof.
FIG. 5 is bottom plan thereof; and,
FIG. 6 is a right side elevation view thereof, the left side elevation view being a mirror image.
The broken lines in the drawings depict portions of the bedside charging station that form no part of the claimed design.

1 Claim, 6 Drawing Sheets



(56)

References Cited

U.S. PATENT DOCUMENTS

D661,097 S * 6/2012 Dretzka D3/313
D680,785 S * 4/2013 Hankinson D6/570
D681,983 S * 5/2013 Cramer D6/513
D681,984 S * 5/2013 Cramer D6/513
2002/0018601 A1 * 2/2002 Nelson 383/7
2004/0245734 A1 * 12/2004 Thomas 280/47.26
2004/0261175 A1 * 12/2004 May 5/503.1

2008/0164180 A1 * 7/2008 Packard et al. 206/575
2008/0319406 A1 12/2008 Garrett
2010/0176762 A1 7/2010 Daymude et al.

OTHER PUBLICATIONS

BunkPal, BunkPal.com, Published 2009.
BunkBuddy, BunkBuddy.com, Published 2004.
MedlineTrayCaddy, Stores and Prices.com, Published 2001.

* cited by examiner

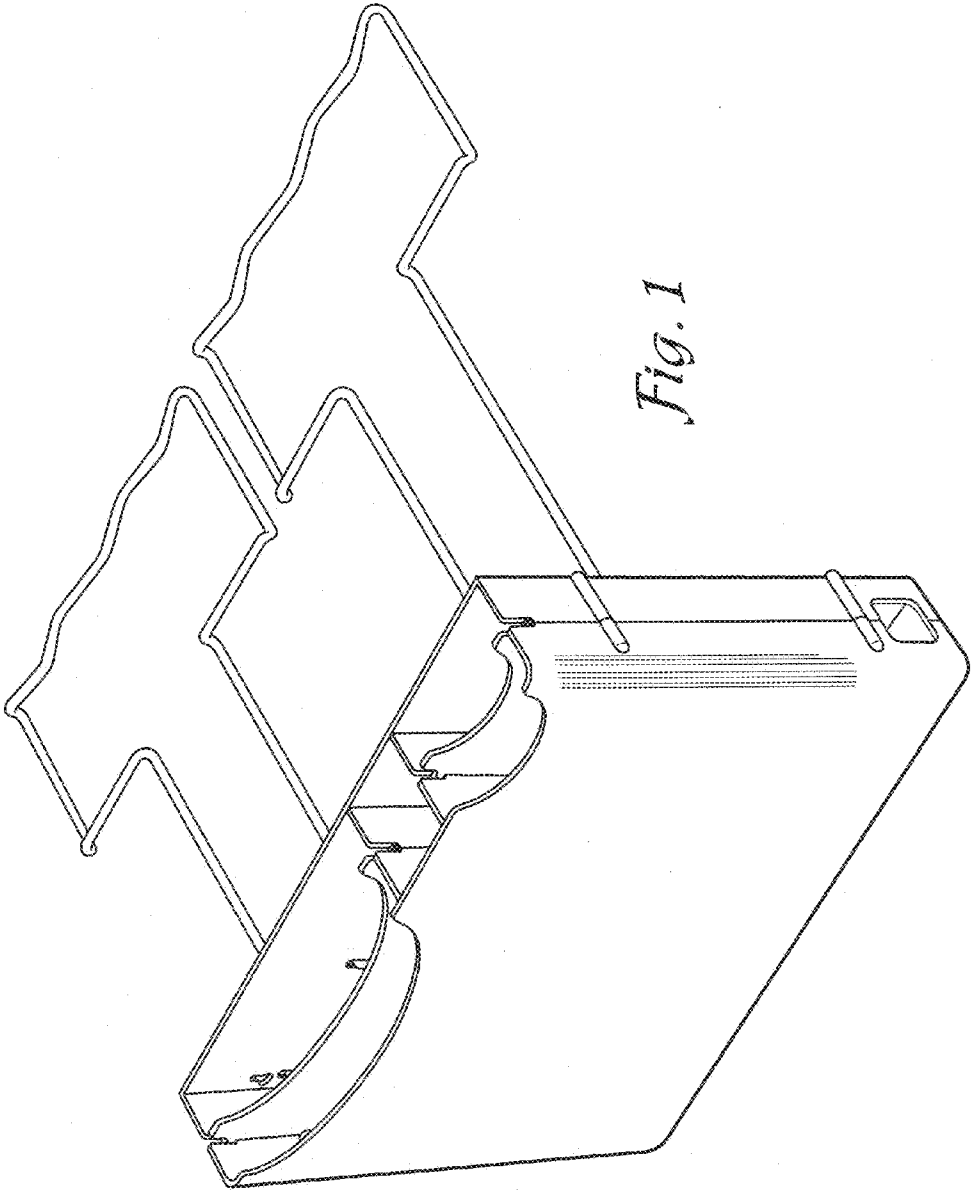


Fig. 1

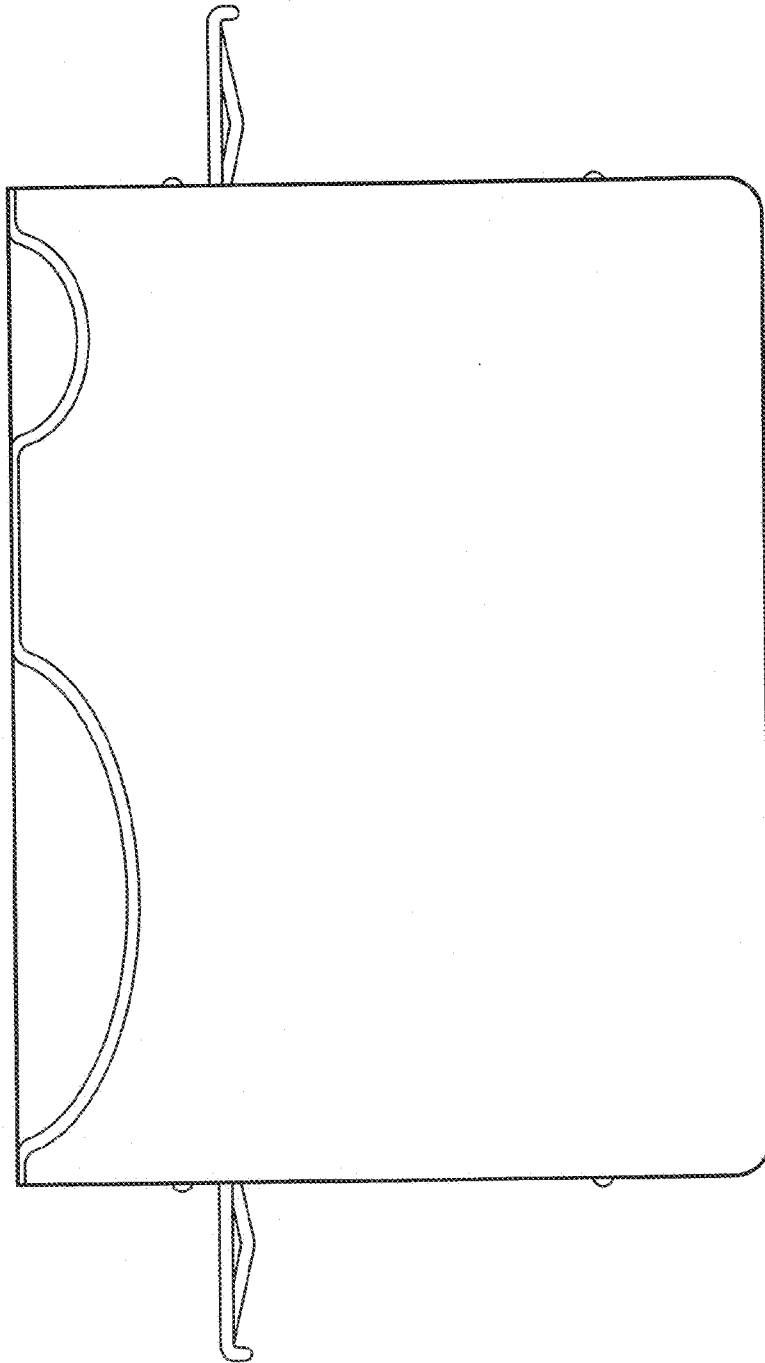


Fig. 2

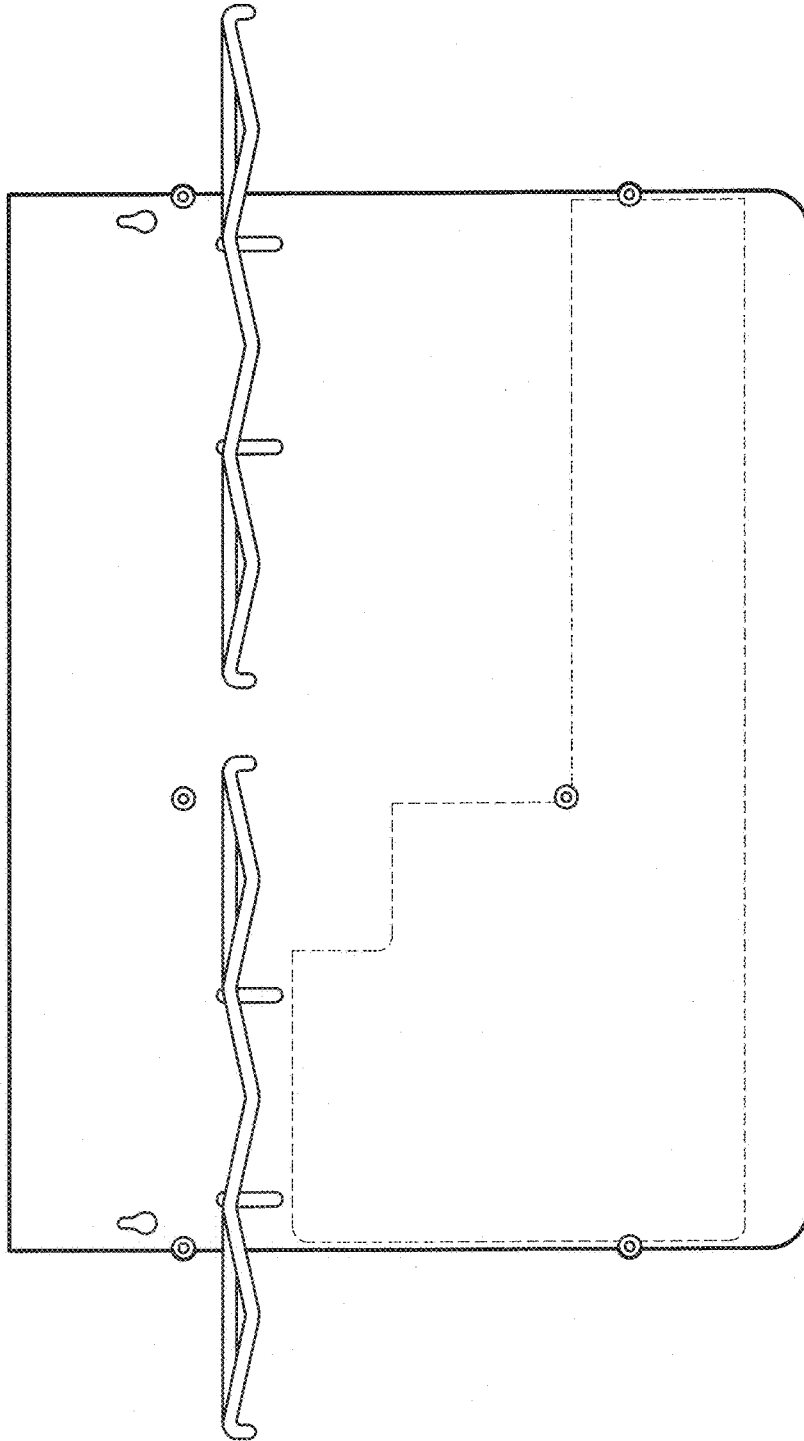


Fig. 3

Fig. 4

