

(19) World Intellectual Property Organization
International Bureau



(43) International Publication Date
14 June 2007 (14.06.2007)

PCT

(10) International Publication Number
WO 2007/067699 A3

(51) International Patent Classification:
G06F 12/00 (2006.01)

(74) Agents: GALLENSON, Mavis, S. et al.; LADAS & PARRY LLP, 5670 Wilshire Boulevard, Ste. 2100, Los Angeles, CA 90036 (US).

(21) International Application Number:
PCT/US2006/046730

(81) Designated States (unless otherwise indicated, for every kind of national protection available): AE, AG, AL, AM, AT, AU, AZ, BA, BB, BG, BR, BW, BY, BZ, CA, CH, CN, CO, CR, CU, CZ, DE, DK, DM, DZ, EC, EE, EG, ES, FI, GB, GD, GE, GH, GM, GT, HN, HR, HU, ID, IL, IN, IS, JP, KE, KG, KM, KN, KP, KR, KZ, LA, LC, LK, LR, LS, LT, LU, LV, LY, MA, MD, MG, MK, MN, MW, MX, MY, MZ, NA, NG, NI, NO, NZ, OM, PG, PH, PL, PT, RO, RS, RU, SC, SD, SE, SG, SK, SL, SM, SV, SY, TJ, TM, TN, TR, TT, TZ, UA, UG, US, UZ, VC, VN, ZA, ZM, ZW.

(22) International Filing Date:
6 December 2006 (06.12.2006)

(25) Filing Language: English

(26) Publication Language: English

(30) Priority Data:
11/297,985 8 December 2005 (08.12.2005) US
11/298,173 8 December 2005 (08.12.2005) US

(84) Designated States (unless otherwise indicated, for every kind of regional protection available): ARIPO (BW, GH, GM, KE, LS, MW, MZ, NA, SD, SL, SZ, TZ, UG, ZM, ZW), Eurasian (AM, AZ, BY, KG, KZ, MD, RU, TJ, TM), European (AT, BE, BG, CH, CY, CZ, DE, DK, EE, ES, FI, FR, GB, GR, HU, IE, IS, IT, LT, LU, LV, MC, NL, PL, PT, RO, SE, SI, SK, TR), OAPI (BF, BJ, CF, CG, CI, CM, GA, GN, GQ, GW, ML, MR, NE, SN, TD, TG).

(71) Applicant (for all designated States except US): NVIDIA CORPORATION [US/US]; 2701 San Tomas Expressway, Santa Clara, CA 95050 (US).

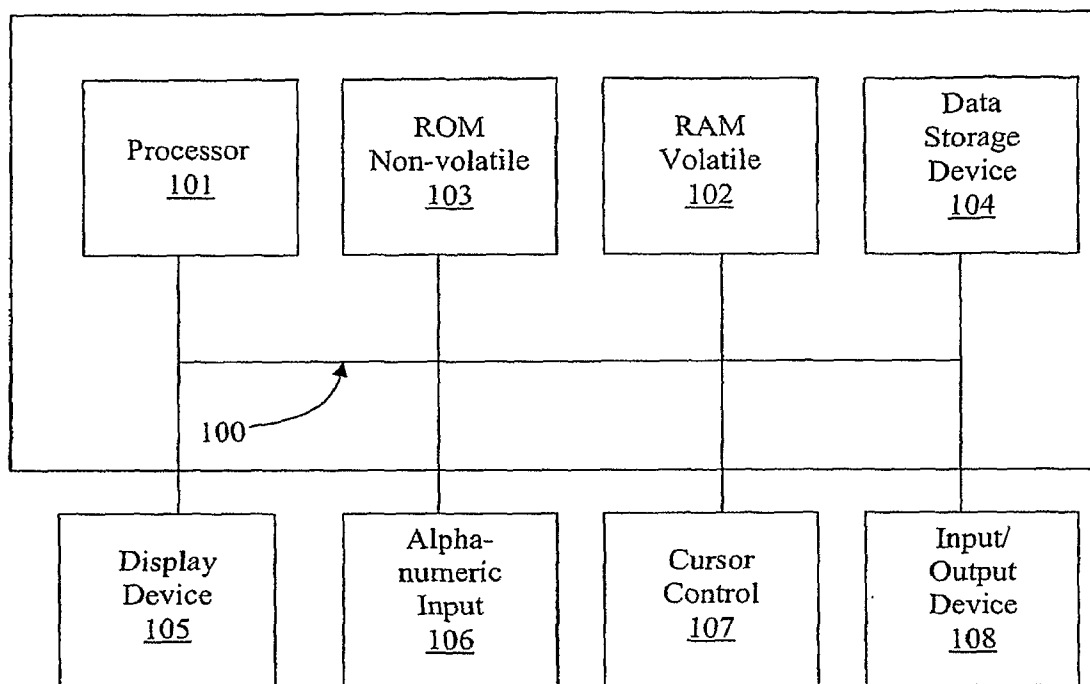
(72) Inventors; and

(75) Inventors/Applicants (for US only): HERZ, William, Samuel [US/US]; 25439 Old Fairview Avenue, Hayward, CA 94542 (US). FEAR, Andrew, C. [US/US]; 580 West Sunnyoaks Avenue, Campbell, CA 95008 (US).

Published:
— with international search report

(88) Date of publication of the international search report:
5 June 2008

(54) Title: EMERGENCY DATA PRESERVATION SERVICES



(57) Abstract: Methods and systems of initiating a data backup process on a computer system are described. One method calls for the data to be backed up to be identified. The computer system is monitored for the occurrence of a backup trigger event. If the trigger occurs, a data backup process is initiated.

WO 2007/067699 A3

INTERNATIONAL SEARCH REPORT

International application No.
PCT/US 06/46730

A. CLASSIFICATION OF SUBJECT MATTER
IPC(8) - G06F 12/00 (2007.01)
USPC - 707/204
According to International Patent Classification (IPC) or to both national classification and IPC

B. FIELDS SEARCHED
Minimum documentation searched (classification system followed by classification symbols)
USPC: 707/204

Documentation searched other than minimum documentation to the extent that such documents are included in the fields searched
USPC: 707/1, 102, 202; 713/151, 165; 714/13 (view text search terms below)


Electronic data base consulted during the international search (name of data base and, where practicable, search terms used)
pubWEST(PGPB,USPT,EPAB,JPAB; PLUR=YES; DialogPRO(Engineering); Google Scholar; Text search terms: automated backup digital information, emergency situations, initiating data backup, data backed be identified, monitored occurrence backup trigger event, trigger occurs backup process initiated

C. DOCUMENTS CONSIDERED TO BE RELEVANT

Category*	Citation of document, with indication, where appropriate, of the relevant passages	Relevant to claim No.
X ---	US 2004/0260973 A1 (MICHELMAN et al.) 23 December 2004 (23.12.2004) entire document, especially Abstract and para [0008], [0083], [0094] and [0096]	1-2, 7-8 and 10 ----- 3-6, 9
Y	US 6,574,754 B1 (SMITH et al.) 03 June 2003 (03.06.2003) entire document, especially Abstract and (col 9, ln 53-59)	3-4
Y	US 2005/0110637 A1 (RAO et al.) 26 May 2005 (26.05.2005) entire document, especially Abstract and para [0006] and [0016]	5-6
Y	US 5,560,023 A1 (CRUMP et al.) 24 September 1996 (24.09.1996) entire document, especially Abstract and (col 15, ln 14-21)	9
A	BREED, Julia et al. 'The Spacecraft Emergency Response System (SERS) for Autonomous Mission Operations'. Report from NASA Center: Goddard Space Flight Center, Publication Year: 1998. [retrieved on 2007-08-29]. Retrieved from the Internet: <URL: http://lisd.gsfc.nasa.gov/Papers/DOC/SERS_Taiwan.pdf >	1-10

Further documents are listed in the continuation of Box C.

* Special categories of cited documents:	"T" later document published after the international filing date or priority date and not in conflict with the application but cited to understand the principle or theory underlying the invention
"A" document defining the general state of the art which is not considered to be of particular relevance	"X" document of particular relevance; the claimed invention cannot be considered novel or cannot be considered to involve an inventive step when the document is taken alone
"E" earlier application or patent but published on or after the international filing date	"Y" document of particular relevance; the claimed invention cannot be considered to involve an inventive step when the document is combined with one or more other such documents, such combination being obvious to a person skilled in the art
"L" document which may throw doubts on priority claim(s) or which is cited to establish the publication date of another citation or other special reason (as specified)	"&" document member of the same patent family
"O" document referring to an oral disclosure, use, exhibition or other means	
"P" document published prior to the international filing date but later than the priority date claimed	

Date of the actual completion of the international search 29 August 2007 (29.08.2007)	Date of mailing of the international search report 19 MAR 2008
Name and mailing address of the ISA/US Mail Stop PCT, Attn: ISA/US, Commissioner for Patents P.O. Box 1450, Alexandria, Virginia 22313-1450 Facsimile No. 571-273-3201	Authorized officer:  Lee W. Young PCT Helpdesk: 571-272-4300 PCT OSP: 571-272-7774