



- (51) International Patent Classification:
F24J 2/04 (2006.01) F24J 2/24 (2006.01)
- (21) International Application Number:
PCT/GB2012/050240
- (22) International Filing Date:
3 February 2012 (03.02.2012)
- (25) Filing Language: English
- (26) Publication Language: English
- (30) Priority Data:
1102002.1 7 February 2011 (07.02.2011) GB
- (72) Inventor; and
(71) Applicant : KNIGHT, Michael David [GB/GB]; 55 Tisdale Rise, Kenilworth Warwickshire CV8 2QU (GB).
- (74) Agent: GEE, Steven; D.W. & S.W. GEE, 1 South Lynn Gardens, London Road, Shipston on Stour, Warwickshire CV36 4ER (GB).
- (81) Designated States (unless otherwise indicated, for every kind of national protection available): AE, AG, AL, AM, AO, AT, AU, AZ, BA, BB, BG, BH, BR, BW, BY, BZ, CA, CH, CL, CN, CO, CR, CU, CZ, DE, DK, DM, DO, DZ, EC, EE, EG, ES, FI, GB, GD, GE, GH, GM, GT, HN,

HR, HU, ID, IL, IN, IS, JP, KE, KG, KM, KN, KP, KR, KZ, LA, LC, LK, LR, LS, LT, LU, LY, MA, MD, ME, MG, MK, MN, MW, MX, MY, MZ, NA, NG, NI, NO, NZ, OM, PE, PG, PH, PL, PT, QA, RO, RS, RU, RW, SC, SD, SE, SG, SK, SL, SM, ST, SV, SY, TH, TJ, TM, TN, TR, TT, TZ, UA, UG, US, UZ, VC, VN, ZA, ZM, ZW.

- (84) Designated States (unless otherwise indicated, for every kind of regional protection available): ARIPO (BW, GH, GM, KE, LR, LS, MW, MZ, NA, RW, SD, SL, SZ, TZ, UG, ZM, ZW), Eurasian (AM, AZ, BY, KG, KZ, MD, RU, TJ, TM), European (AL, AT, BE, BG, CH, CY, CZ, DE, DK, EE, ES, FI, FR, GB, GR, HR, HU, IE, IS, IT, LT, LU, LV, MC, MK, MT, NL, NO, PL, PT, RO, RS, SE, SI, SK, SM, TR), OAPI (BF, BJ, CF, CG, CI, CM, GA, GN, GQ, GW, ML, MR, NE, SN, TD, TG).

Published:

- with international search report (Art. 21(3))
- before the expiration of the time limit for amending the claims and to be republished in the event of receipt of amendments (Rule 48.2(h))

- (88) Date of publication of the international search report:
23 January 2014

(54) Title: SOLAR PANEL AND GLAZING PANEL

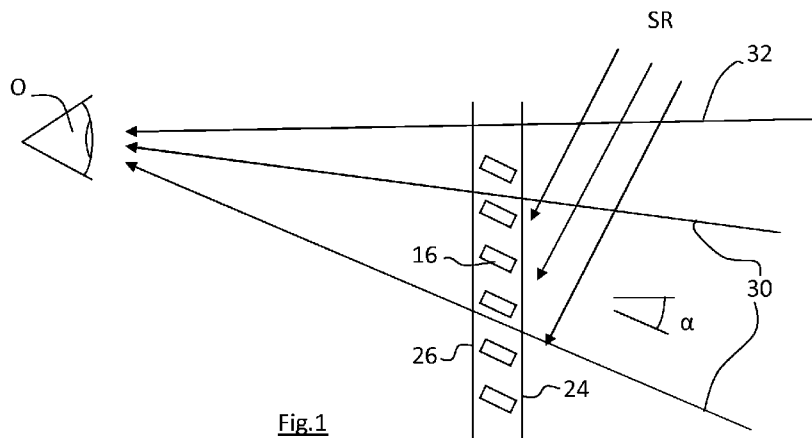


Fig.1

(57) Abstract: This invention relates to a solar panel, and in particular to a solar panel designed to absorb heat from solar radiation. The invention provides a solar panel adapted to fit between two sheets of glass in a glazing panel, the solar panel being adapted to absorb heat from a proportion of the incident light, and to permit another proportion of the incident light to be transmitted through the solar panel and the glazing panel. The invention also provides a glazing panel fitted with a solar panel.

WO 2012/107742 A3

INTERNATIONAL SEARCH REPORT

International application No
PCT/GB2012/050240

A. CLASSIFICATION OF SUBJECT MATTER
INV. F24J2/04 F24J2/24
ADD.
According to International Patent Classification (IPC) or to both national classification and IPC

B. FIELDS SEARCHED
Minimum documentation searched (classification system followed by classification symbols)
F24J

Documentation searched other than minimum documentation to the extent that such documents are included in the fields searched

Electronic data base consulted during the international search (name of data base and, where practicable, search terms used)
EPO-Internal, WPI Data

C. DOCUMENTS CONSIDERED TO BE RELEVANT

Category*	Citation of document, with indication, where appropriate, of the relevant passages	Relevant to claim No.
X	DE 10 2008 047327 A1 (REUTTER ODILO [DE]) 11 March 2010 (2010-03-11) paragraphs [0064] - [0066], [0076] - [0087]; figures 1, 6-8	1-14
X	US 4 527 548 A (GUSTAFSON GARY R [US]) 9 July 1985 (1985-07-09) column 3, line 41 - column 5, line 48; figures 2, 3	1-14
X	US 4 014 313 A (PEDERSEN DAVID WILLIAM) 29 March 1977 (1977-03-29) column 3, line 31 - column 6, line 68; figures 1,2	1-14
X	DE 102 51 921 A1 (KERKHOFF ALFONS [DE]) 19 May 2004 (2004-05-19) the whole document	1-14
	----- -/--	

Further documents are listed in the continuation of Box C.

See patent family annex.

* Special categories of cited documents :

- "A" document defining the general state of the art which is not considered to be of particular relevance
- "E" earlier application or patent but published on or after the international filing date
- "L" document which may throw doubts on priority claim(s) or which is cited to establish the publication date of another citation or other special reason (as specified)
- "O" document referring to an oral disclosure, use, exhibition or other means
- "P" document published prior to the international filing date but later than the priority date claimed

- "T" later document published after the international filing date or priority date and not in conflict with the application but cited to understand the principle or theory underlying the invention
- "X" document of particular relevance; the claimed invention cannot be considered novel or cannot be considered to involve an inventive step when the document is taken alone
- "Y" document of particular relevance; the claimed invention cannot be considered to involve an inventive step when the document is combined with one or more other such documents, such combination being obvious to a person skilled in the art
- "&" document member of the same patent family

Date of the actual completion of the international search 26 November 2013	Date of mailing of the international search report 04/12/2013
--	---

Name and mailing address of the ISA/ European Patent Office, P.B. 5818 Patentlaan 2 NL - 2280 HV Rijswijk Tel. (+31-70) 340-2040, Fax: (+31-70) 340-3016	Authorized officer Axters, Michael
--	--

INTERNATIONAL SEARCH REPORT

International application No
PCT/GB2012/050240

C(Continuation). DOCUMENTS CONSIDERED TO BE RELEVANT		
Category*	Citation of document, with indication, where appropriate, of the relevant passages	Relevant to claim No.
X	DE 28 30 745 A1 (KOESTER HELMUT)	1
A	24 January 1980 (1980-01-24) page 8, lines 10-21; figure 2 -----	2-14

INTERNATIONAL SEARCH REPORT

Information on patent family members

International application No

PCT/GB2012/050240

Patent document cited in search report	Publication date	Patent family member(s)	Publication date
DE 102008047327 A1	11-03-2010	DE 102008047327 A1	11-03-2010
		EP 2342507 A2	13-07-2011
		WO 2010028806 A2	18-03-2010

US 4527548	A	09-07-1985	NONE

US 4014313	A	29-03-1977	NONE

DE 10251921	A1	19-05-2004	NONE

DE 2830745	A1	24-01-1980	NONE
