



US00D773201S

(12) **United States Design Patent** (10) **Patent No.:** **US D773,201 S**
Cardell (45) **Date of Patent:** **** Dec. 6, 2016**

(54) **BED STAND**
(71) Applicant: **FLEXIMUG LLC**, Berkeley, CA (US)
(72) Inventor: **David Cardell**, Berkeley, CA (US)
(73) Assignee: **Fleximug LLC**, Berkeley, CA (US)
(**) Term: **15 Years**

D755,796 S * 5/2016 Gibson D14/447
D756,367 S * 5/2016 Kim D14/447
D760,723 S * 7/2016 Won D14/447
D764,206 S * 8/2016 Lin D6/406.1
2009/0307843 A1* 12/2009 Hookway A47B 23/046
5/425

(21) Appl. No.: **29/528,848**
(22) Filed: **Jun. 1, 2015**

(51) **LOC (10) Cl.** **06-06**
(52) **U.S. Cl.**
USPC **D6/406.1**
(58) **Field of Classification Search**
USPC D6/406.1, 406.2, 406.3, 406.4, 406.5,
D6/406.6; D14/439, 447
CPC A47G 23/06; A47B 23/00; A47B 23/04;
A47B 2023/048
See application file for complete search history.

OTHER PUBLICATIONS

Website ref: "Bed Butler 2.0: Bedside Caddy for Laptops, Remotes & Tables" <http://www.amazon.com/Bed-Butler-2-0-Bedside-Laptops/dp/B0...> —6 pages, Jun. 10, 2015.

* cited by examiner

Primary Examiner — Kelley Donnelly
(74) *Attorney, Agent, or Firm* — Sideman & Bancroft LLP; Guy W. Chambers

(57) **CLAIM**
The ornamental design for a bed stand, as shown and described.

(56) **References Cited**

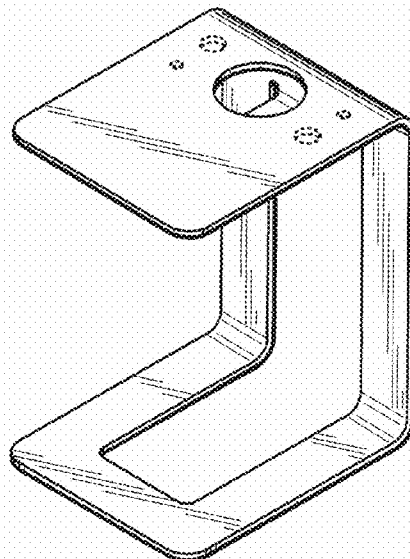
U.S. PATENT DOCUMENTS

D116,438 S * 8/1939 Wright D25/55
D290,072 S * 6/1987 Winzeler, III D6/691.4
D409,992 S * 5/1999 Mockett D14/451
D557,652 S * 12/2007 Gassew D12/317
D559,850 S * 1/2008 Lye D14/447
D645,865 S * 9/2011 Diehl D14/299
8,100,061 B2 * 1/2012 Hookway A47B 23/046
108/26
D730,914 S * 6/2015 Park D14/447
D737,606 S * 9/2015 King D6/682

DESCRIPTION

FIG. 1 is a perspective view of an embodiment of a bed stand showing my new design;
FIG. 2 is a top plan view thereof;
FIG. 3 is a front elevation view thereof;
FIG. 4 is a right side elevation view thereof;
FIG. 5 is a left side elevation view thereof;
FIG. 6 is a rear elevation view thereof; and,
FIG. 7 is a bottom plan view thereof.
The broken lines are for environmental purposes only and form no part of the claimed design.

1 Claim, 2 Drawing Sheets



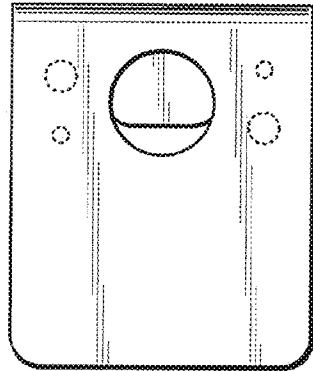


FIG. 2

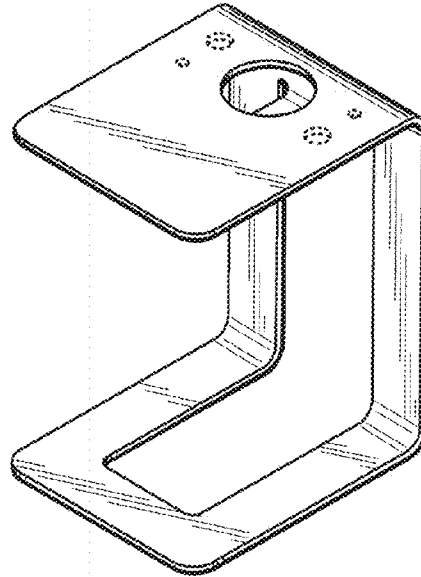


FIG. 1

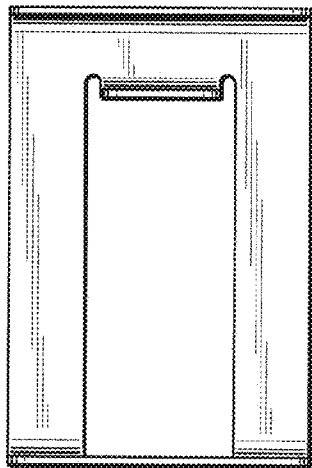


FIG. 3

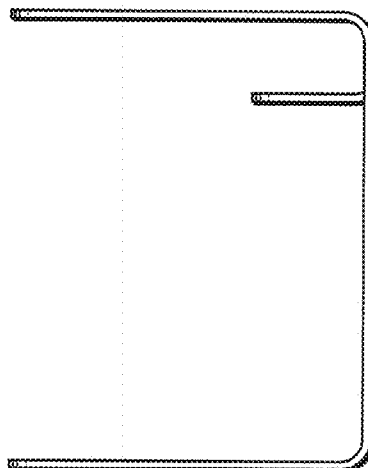


FIG. 4

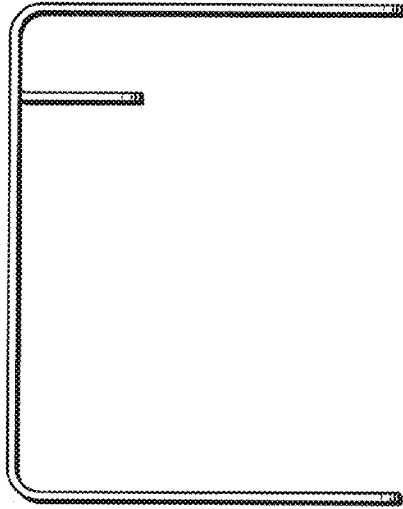


FIG. 5

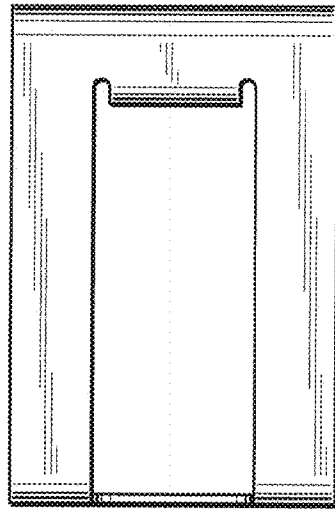


FIG. 6

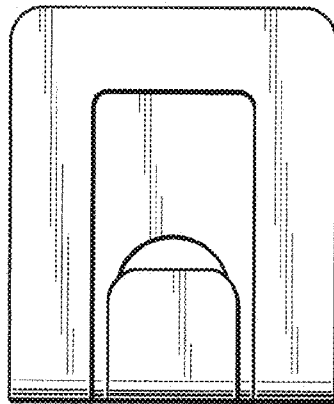


FIG. 7