



US00D877435S

(12) **United States Design Patent**
Fry

(10) **Patent No.:** **US D877,435 S**

(45) **Date of Patent:** **** Mar. 3, 2020**

(54) **VACUUM CLEANER**
(71) Applicant: **SHOP VAC CORPORATION,**
Williamsport, PA (US)
(72) Inventor: **Kevin D. Fry,** South Williamsport, PA
(US)
(73) Assignee: **SHOP VAC CORPORATION,**
Williamsport, PA (US)
(**) Term: **15 Years**
(21) Appl. No.: **29/646,841**

8,046,868 B2 * 11/2011 Sheddy A47L 5/365
15/323
8,261,406 B2 * 9/2012 Kunz A47L 5/365
15/326
D713,109 S * 9/2014 Seasholtz D32/31
D756,579 S * 5/2016 Johnson D32/31

* cited by examiner

Primary Examiner — Ruth McInroy

(74) *Attorney, Agent, or Firm* — Marshall, Gerstein &
Borun LLP

(22) Filed: **May 8, 2018**
(51) **LOC (12) Cl.** **15-05**
(52) **U.S. Cl.**
USPC **D32/34**
(58) **Field of Classification Search**
USPC D32/21–23, 31, 34
CPC . A47L 5/362; A47L 5/365; A47L 5/28; A47L
5/32; A47L 5/36; A47L 7/0004; A47L
7/0038; A47L 11/29; A47L 11/30
See application file for complete search history.

(57) **CLAIM**

The ornamental design for a vacuum cleaner, as shown and described.

DESCRIPTION

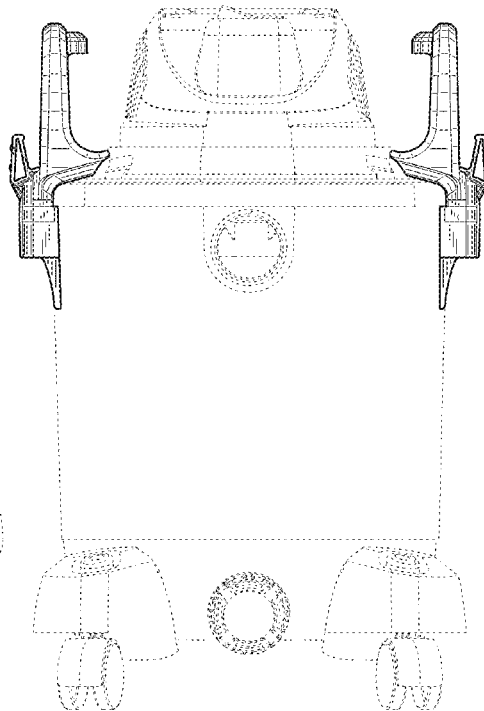
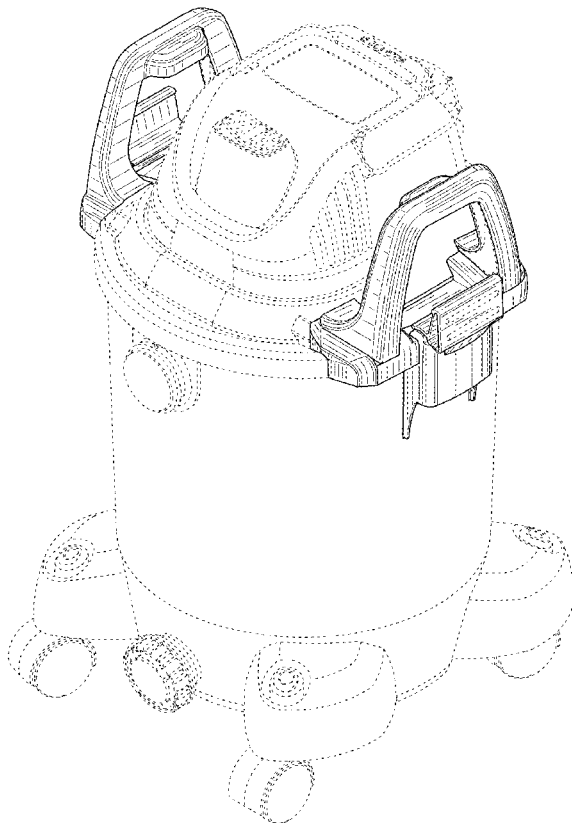
FIG. 1 is a top, right-side, and front view of a vacuum cleaner, showing the new design.
FIG. 2 is a front view of the vacuum cleaner.
FIG. 3 is a right-side view of the vacuum cleaner.
FIG. 4 is a left-side view of the vacuum cleaner.
FIG. 5 is a back view of the vacuum cleaner; and,
FIG. 6 is a top view of the vacuum cleaner.
The broken lines represent portions of the vacuum cleaner that form no part of the claimed design.

(56) **References Cited**

U.S. PATENT DOCUMENTS

7,644,469 B2 * 1/2010 Beers A47L 5/365
15/319
8,037,572 B2 * 10/2011 Phelan A47L 5/365
15/327.6

1 Claim, 6 Drawing Sheets



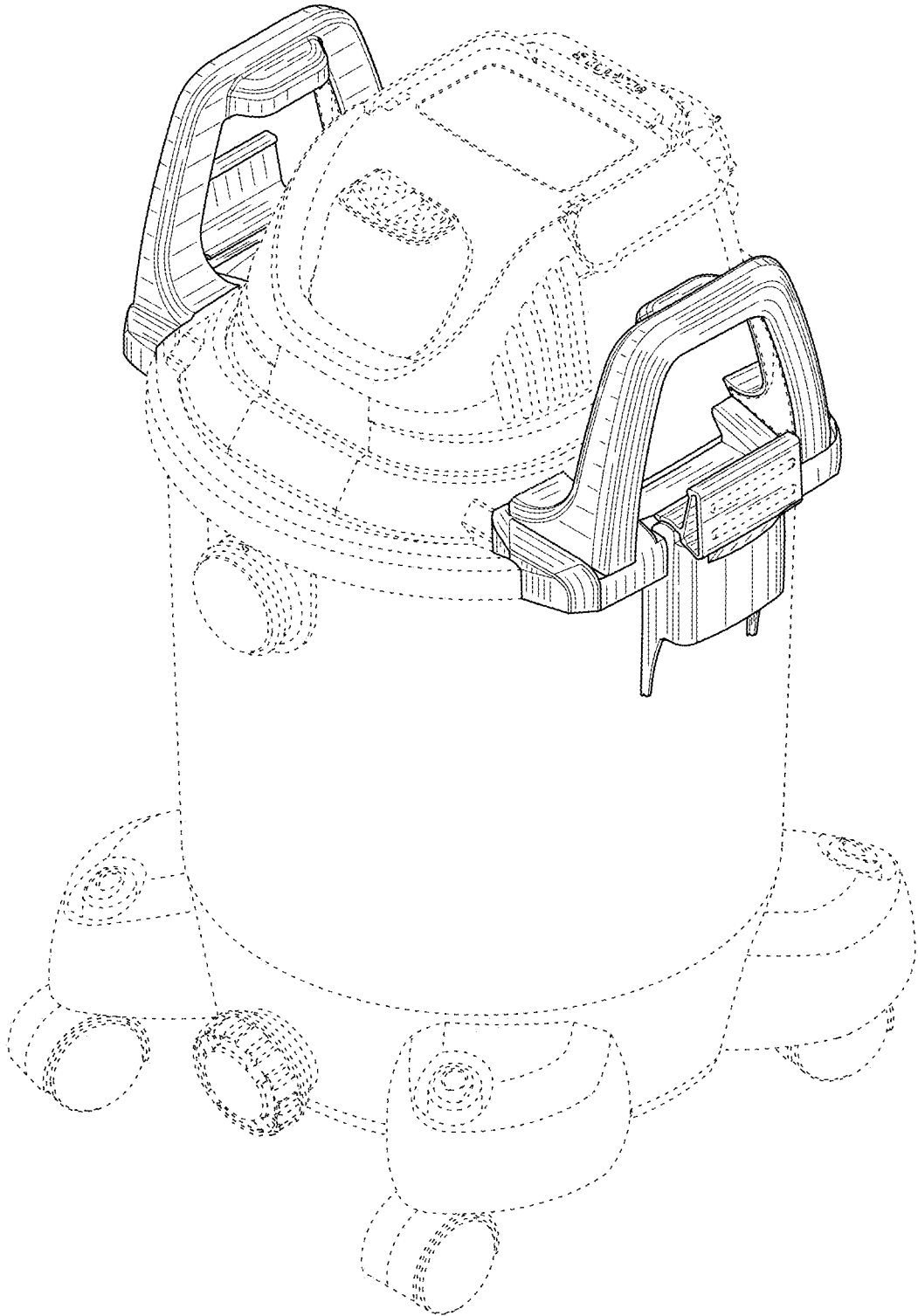


FIG. 1

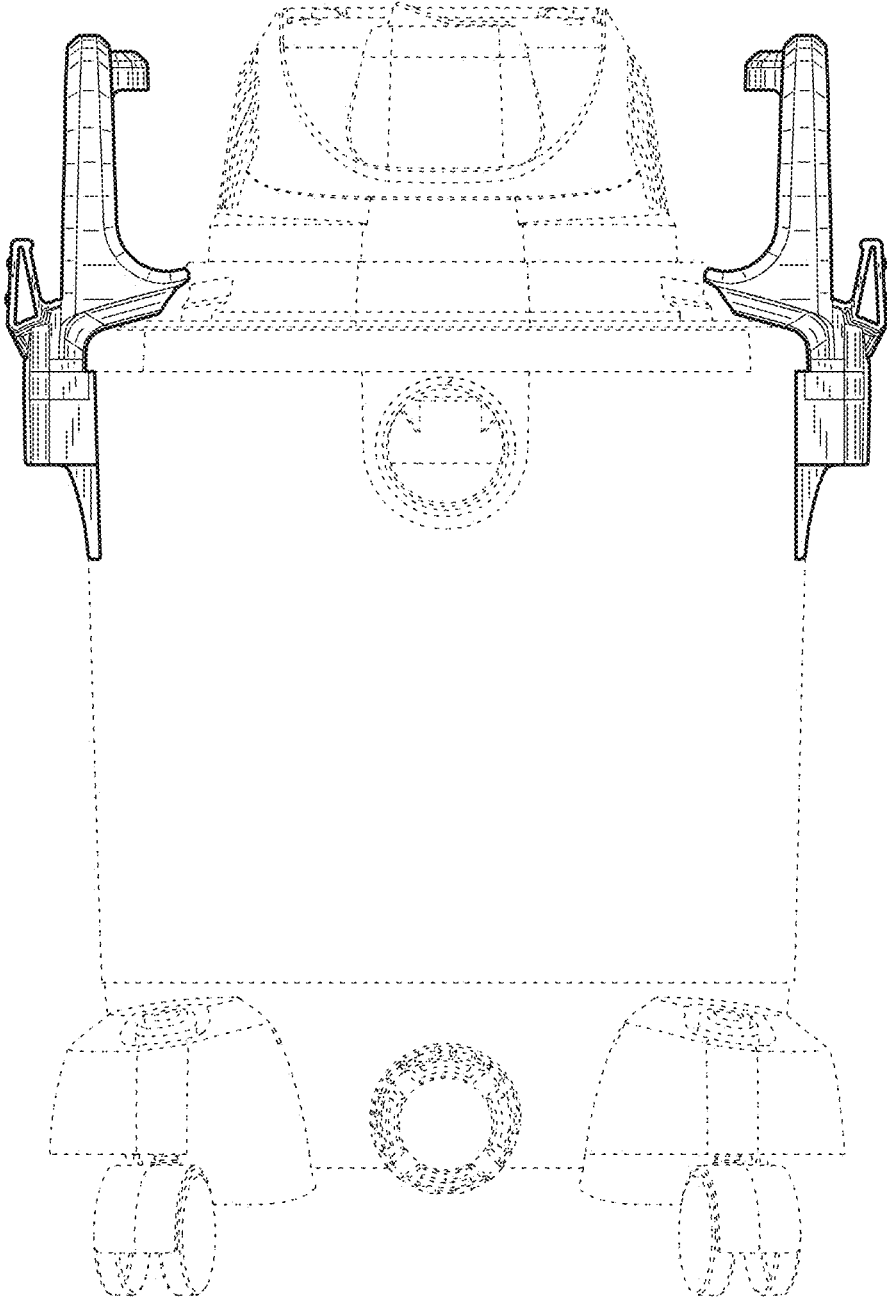


FIG. 2

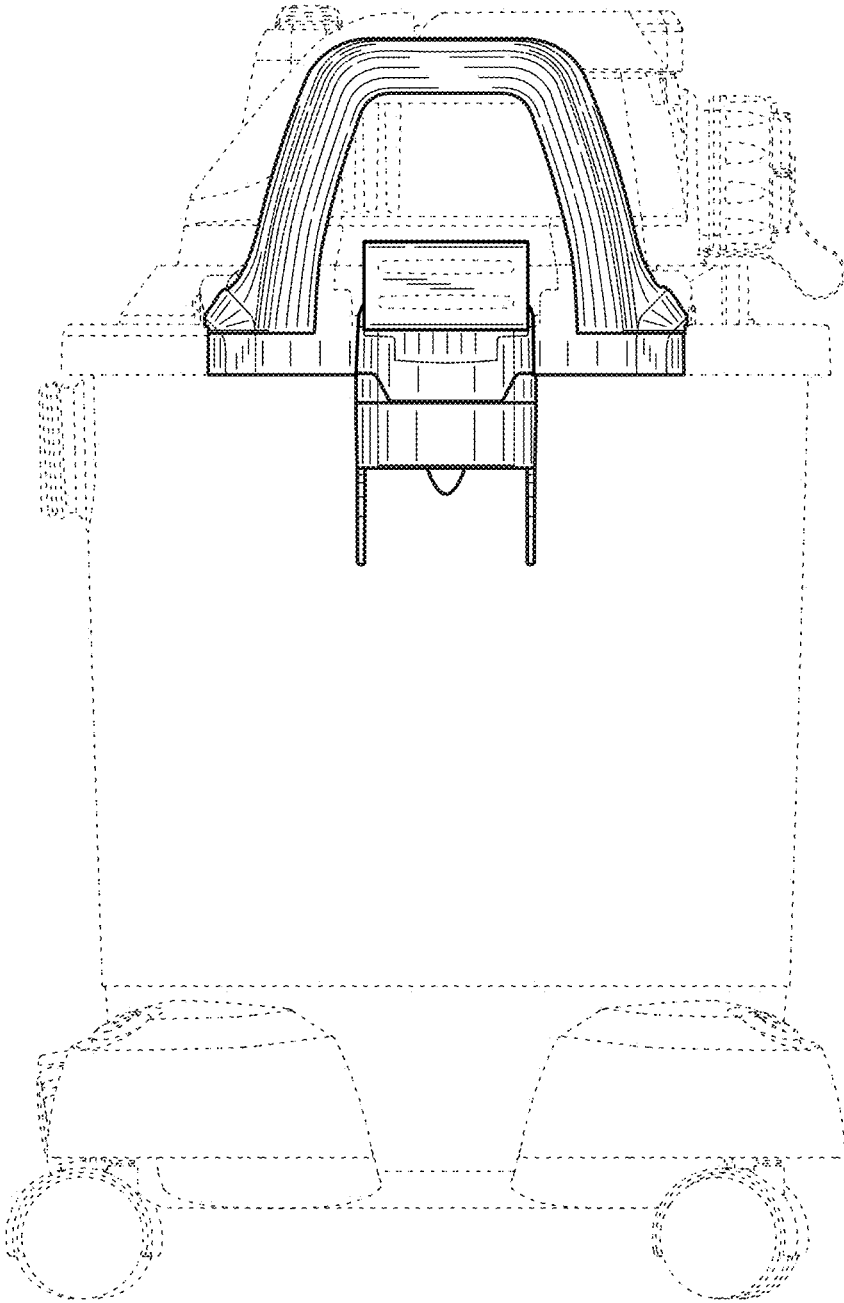


FIG. 3

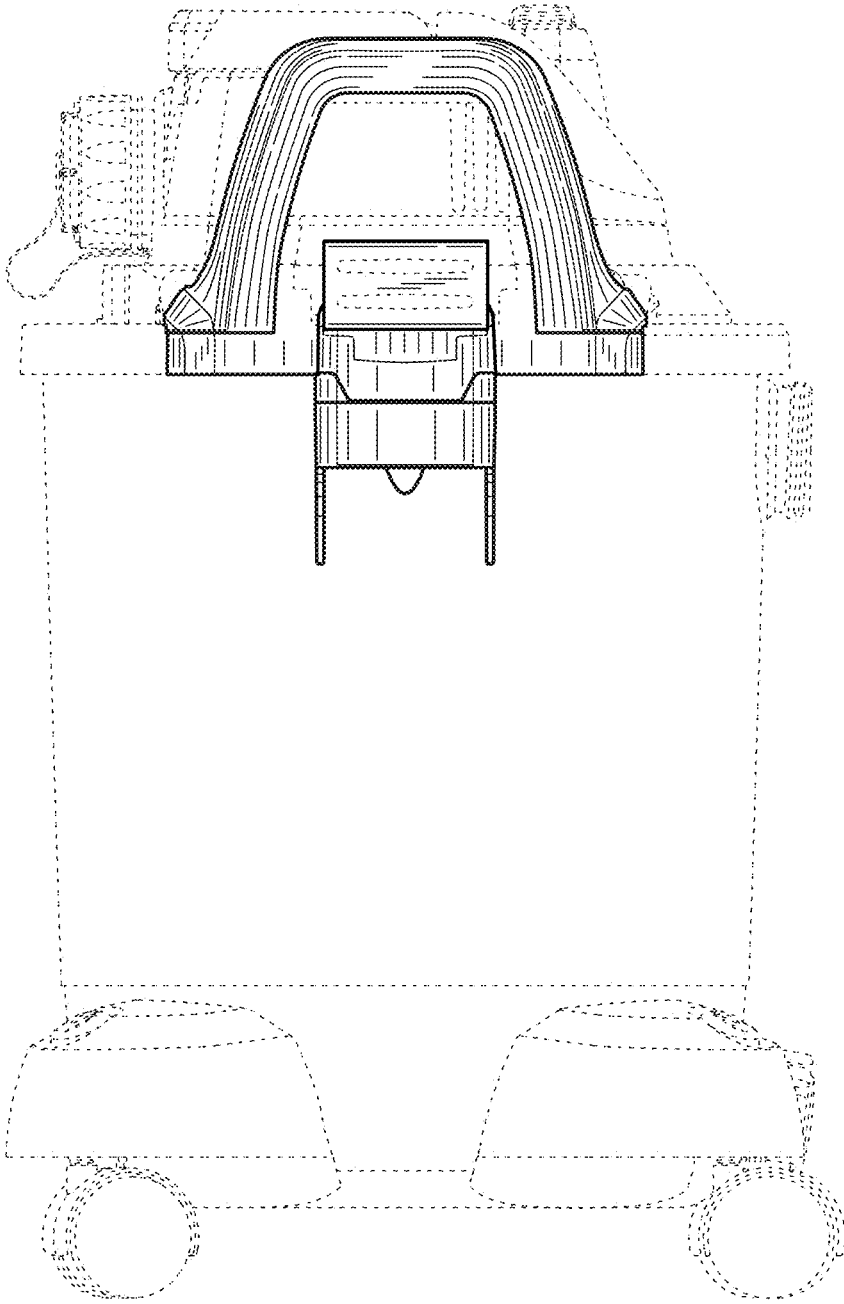


FIG. 4

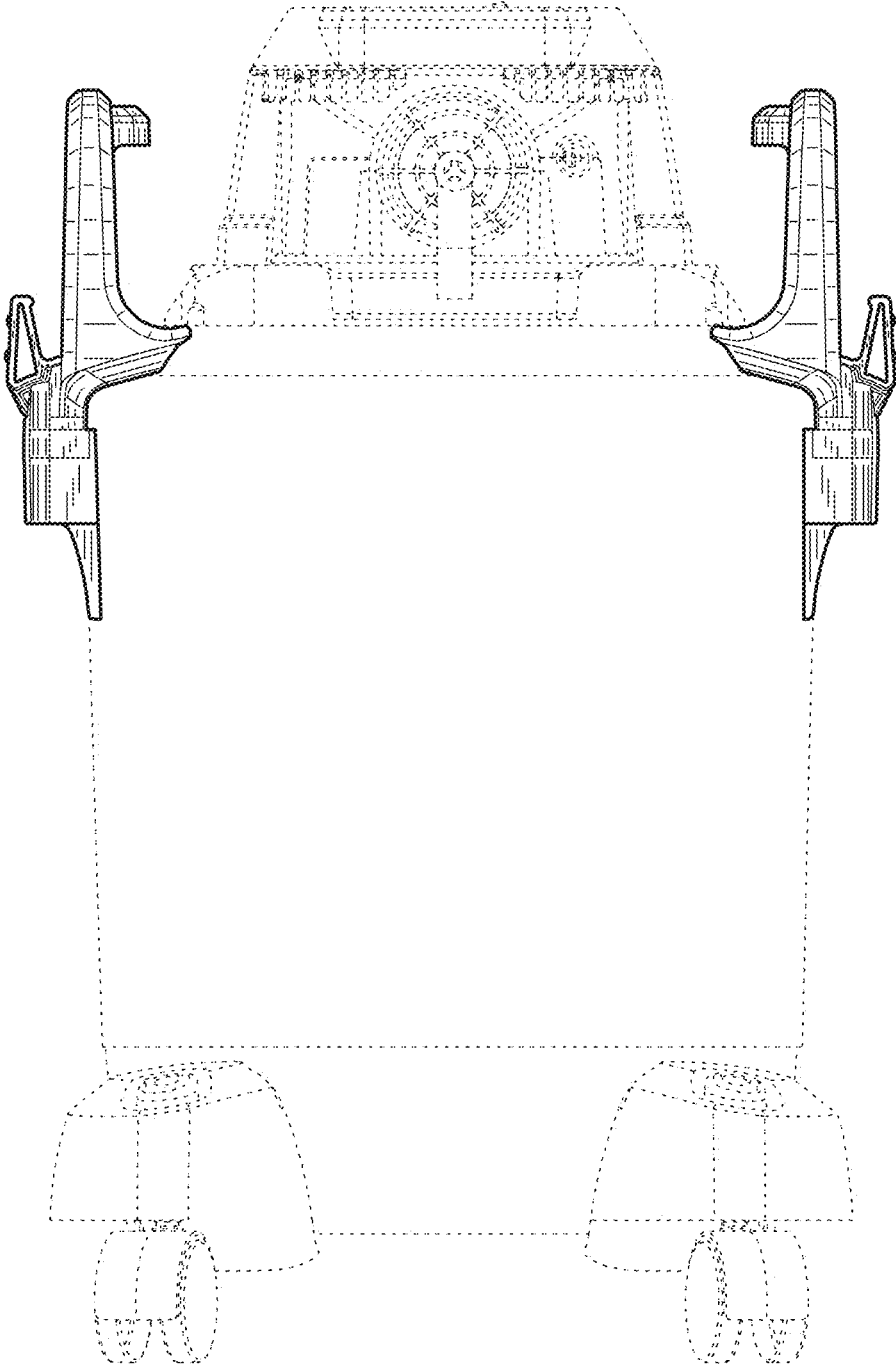


FIG. 5

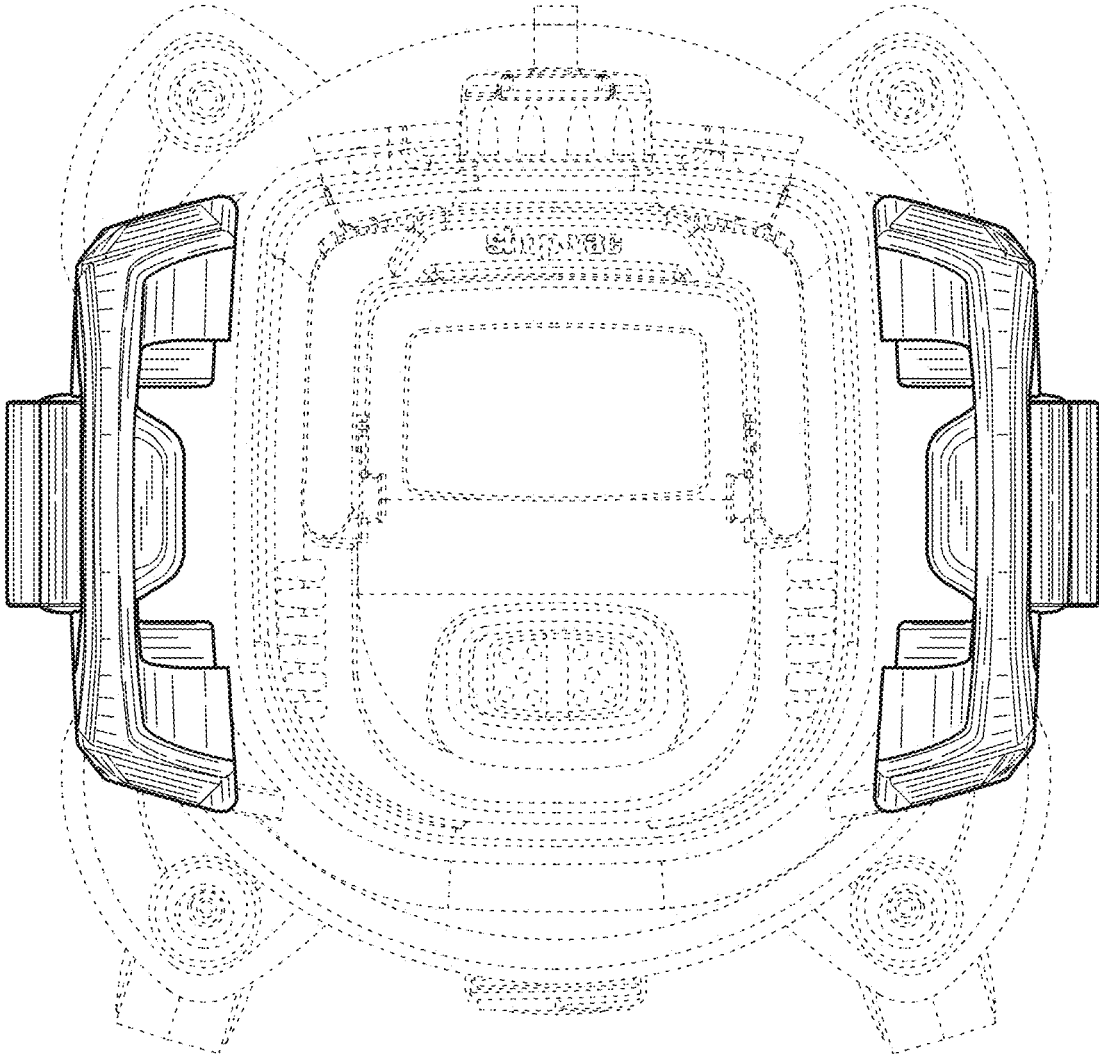


FIG. 6