



US00D831725S

(12) **United States Design Patent**
Meneses et al.

(10) **Patent No.:** **US D831,725 S**
(45) **Date of Patent:** **** Oct. 23, 2018**

- (54) **CAMERA MODULE**
- (71) Applicant: **Motorola Mobility LLC**, Chicago, IL (US)
- (72) Inventors: **Ricardo Eduardo Hugo Flores Meneses**, Chicago, IL (US); **Paul Pierce**, Grayslake, IL (US); **Brian Moran**, Chicago, IL (US)
- (73) Assignee: **MOTOROLA MOBILITY LLC**, Chicago, IL (US)
- (**) Term: **15 Years**
- (21) Appl. No.: **29/572,337**
- (22) Filed: **Jul. 27, 2016**
- (51) **LOC (11) Cl.** **16-01**
- (52) **U.S. Cl.**
USPC **D16/208**; D16/202; D14/250
- (58) **Field of Classification Search**
USPC D16/200–220, 239, 235, 242, 250, 310, D16/136; D14/251, 138 C, 302, 129, D14/130, 496; D26/28, 36, 37, 46, 39; D29/104; D10/104.1, 50, 65, 74
CPC ... G02B 7/02; G02B 7/04; G02B 7/14; G03B 17/00; G03B 17/14
See application file for complete search history.

D713,869 S *	9/2014	Kim	D16/202
8,843,177 B2 *	9/2014	Mori	H04M 1/72527 455/550.1
D719,599 S *	12/2014	Fujita	D16/202
D727,386 S *	4/2015	Kobayashi	D16/202
D729,299 S *	5/2015	Adams	D16/208
D732,598 S *	6/2015	Adams	D16/208
D736,291 S *	8/2015	Chai	D16/202
9,467,608 B2 *	10/2016	Barros	H04N 5/2252
2004/0252226 A1 *	12/2004	Chou	H04M 1/0264 348/375

(Continued)

OTHER PUBLICATIONS

MotoMods, announced May 25, 2016 [online], [site visited Nov. 21, 2017], Available from Internet URL: <<https://twitter.com/evleaks/status/735649998604378112>>.*

(Continued)

Primary Examiner — Barbara Fox
Assistant Examiner — Mary C Ramirez
(74) *Attorney, Agent, or Firm* — Kunzler, PC

(57) **CLAIM**

The ornamental design for a camera module, as shown and described.

DESCRIPTION

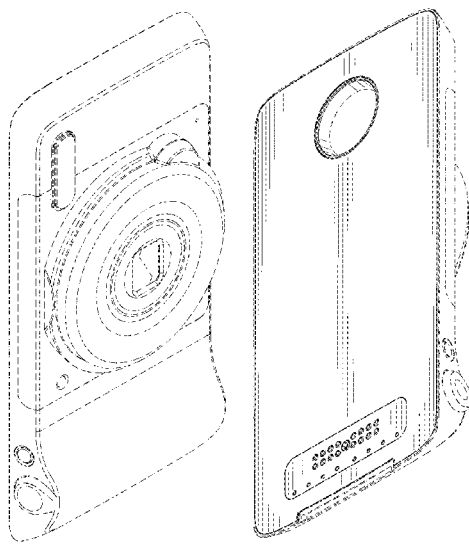
FIG. 1 is a front, left perspective view of a camera module showing the new design;
FIG. 2 is a rear, right perspective view thereof;
FIG. 3 is a front view thereof;
FIG. 4 is a rear view thereof;
FIG. 5 is a bottom view thereof;
FIG. 6 is a top view thereof;
FIG. 7 is a left side view thereof; and,
FIG. 8 is a right side view thereof.
The broken lines shown in the drawings depict portions of the camera module that form no part of the claimed design.

1 Claim, 7 Drawing Sheets

(56) **References Cited**

U.S. PATENT DOCUMENTS

D384,964 S *	10/1997	Ito	D16/200
D449,629 S *	10/2001	Ogura	D16/200
D622,692 S *	8/2010	McWilliam	D14/138 G
D681,712 S *	5/2013	Kim	D16/202
D687,406 S *	8/2013	Xia	D14/138 G
D695,803 S *	12/2013	Kyunghan	D16/202
D701,892 S *	4/2014	Jang	D16/202
D707,669 S *	6/2014	Guzman	D14/250
D712,949 S *	9/2014	Kwon	D16/202



(56)

References Cited

U.S. PATENT DOCUMENTS

2013/0092565 A1* 4/2013 Swope F41H 13/0018
206/216
2013/0141640 A1* 6/2013 Kim H04N 5/2254
348/375
2013/0267283 A1* 10/2013 Guzman H04M 1/026
455/575.1
2014/0132832 A1* 5/2014 Adams G06F 3/02
348/376
2014/0285913 A1* 9/2014 Palmeri H04N 5/238
359/876
2015/0130984 A1* 5/2015 Lim H04N 5/232
348/335
2015/0181090 A1* 6/2015 Park H04N 5/2254
348/374
2017/0171440 A1* 6/2017 Park H04N 5/2253
2017/0223242 A1* 8/2017 Barros H04N 5/2252

OTHER PUBLICATIONS

Hasselblad True Zoom, announced 2017 [online], [site visited Nov. 21, 2017], Available from Internet URL: <<https://www.motorola.ca/products/moto-mods/hasselblad-true-zoom>>.*
Pocket-lint MotoMods, announced May 26, 2016 [online], [site visited Nov. 21, 2017], Available from Internet URL: <<http://www.pocket-lint.com/news/137734-motomods-hasselblad-camera-jbl-speaker-and-projector-modules-leak>>.*

* cited by examiner

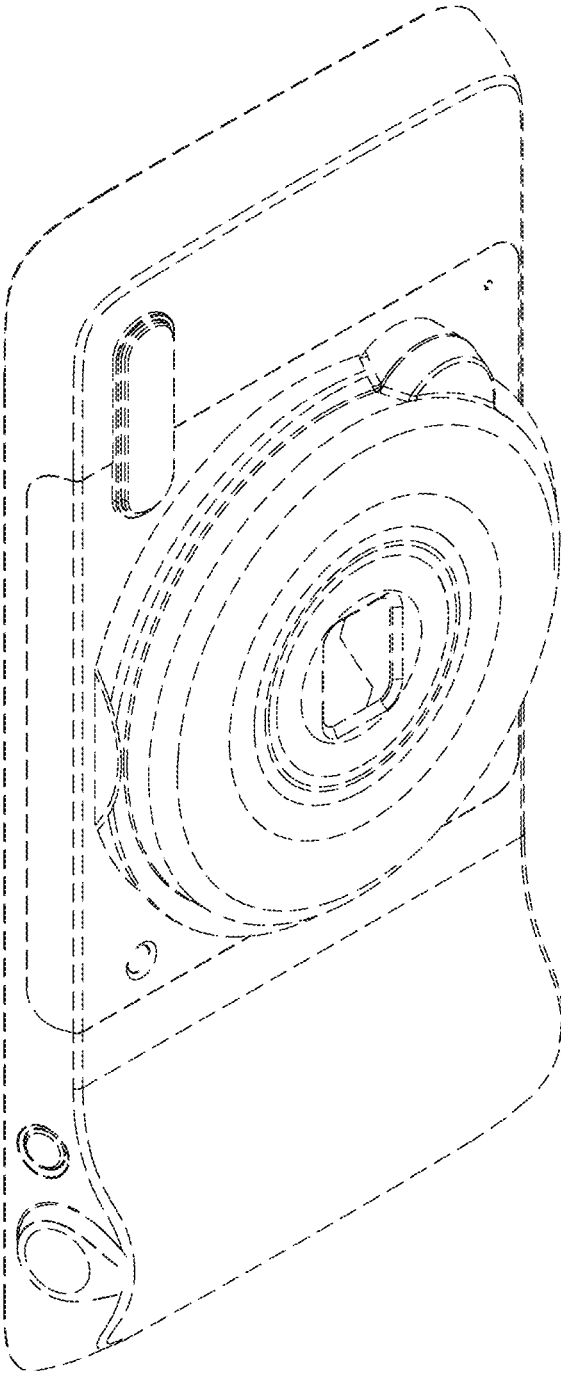


FIG. 1

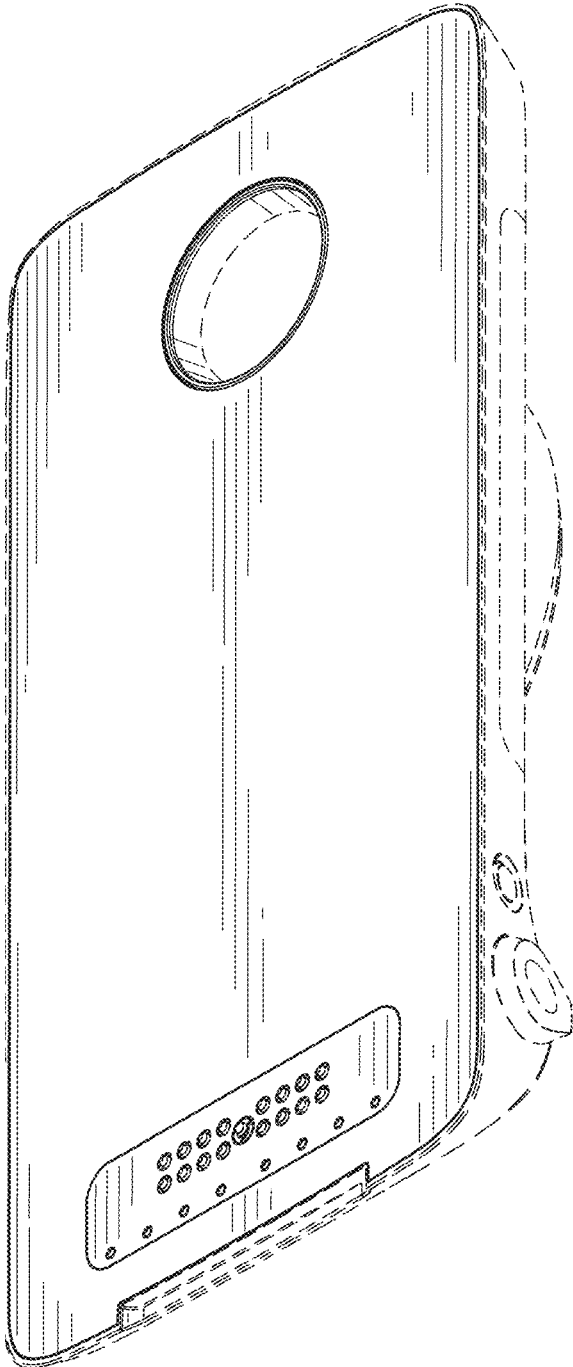


FIG. 2

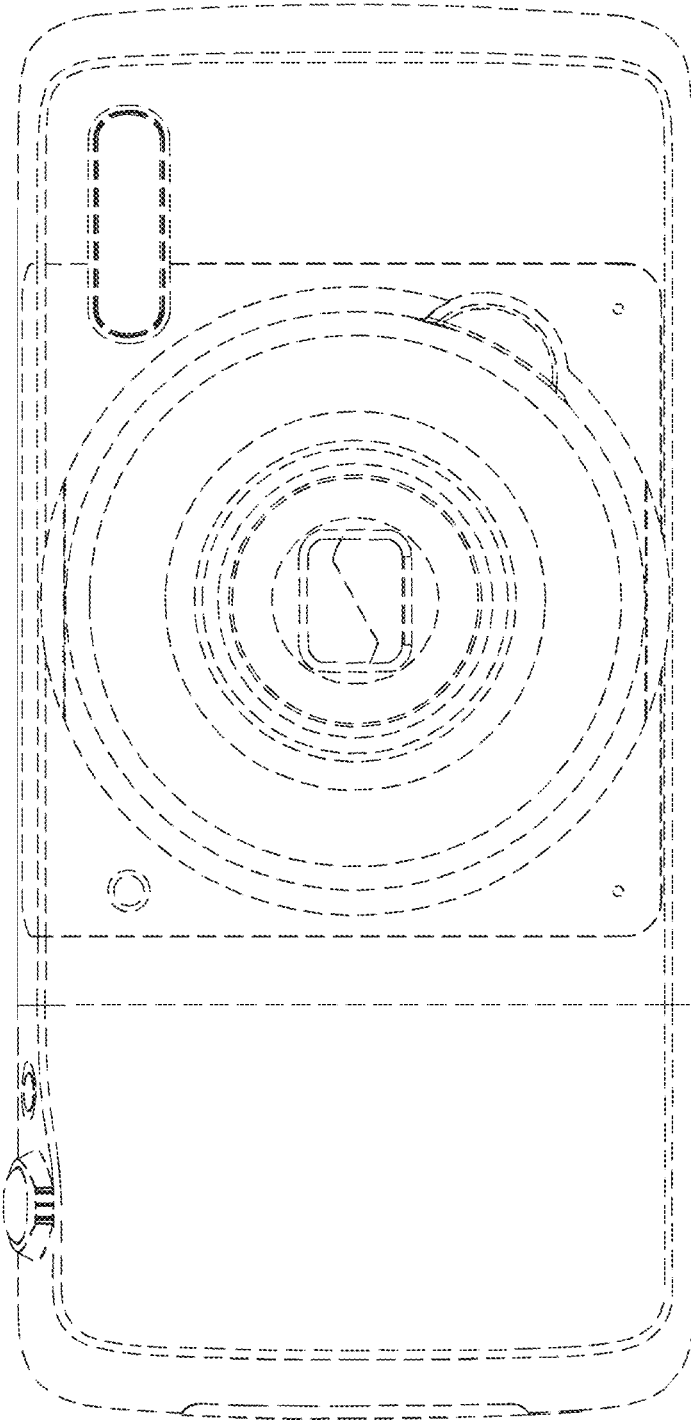


FIG. 3

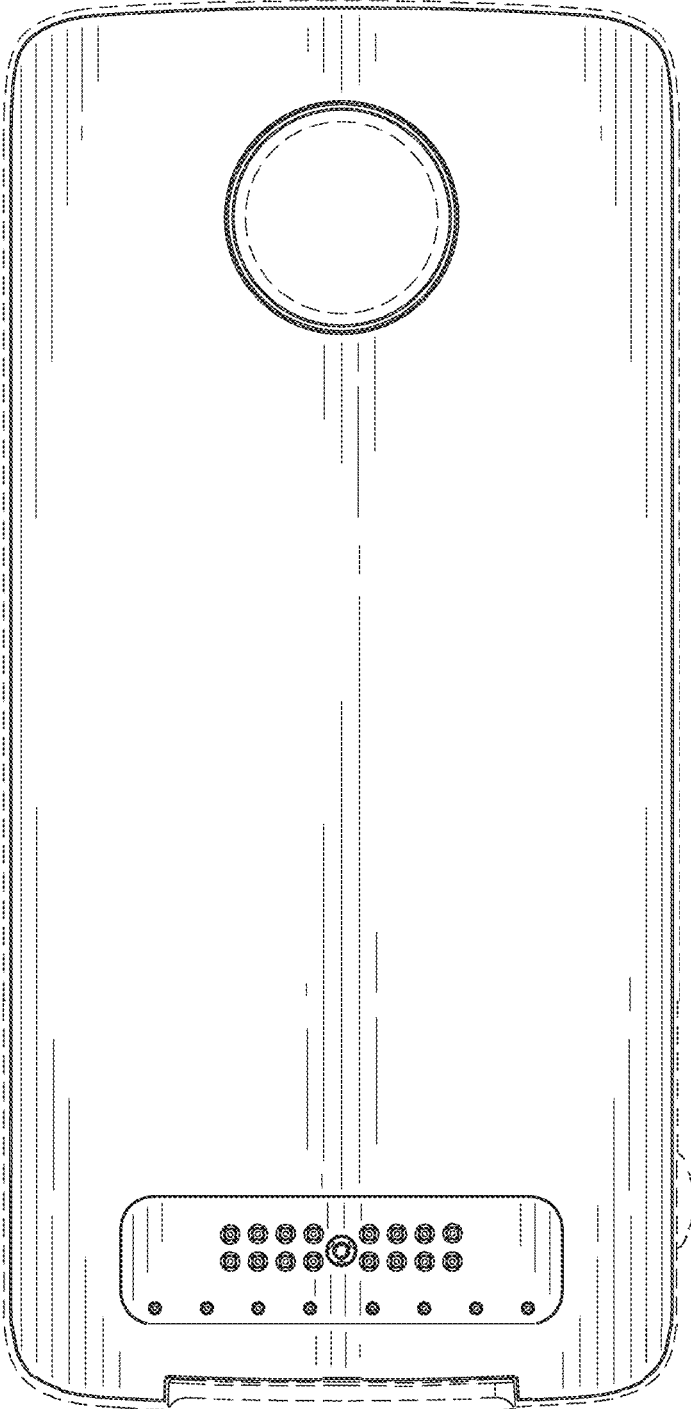


FIG. 4

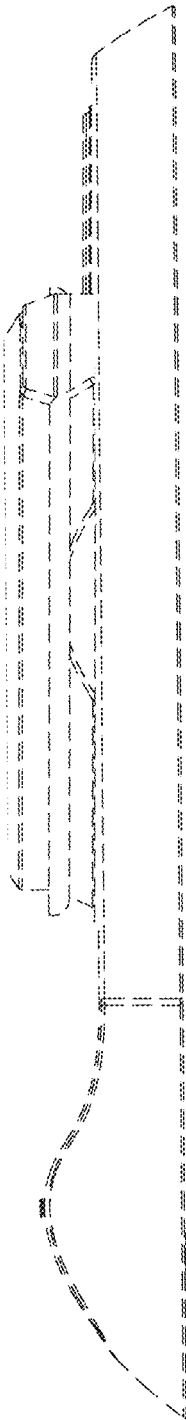


FIG. 5

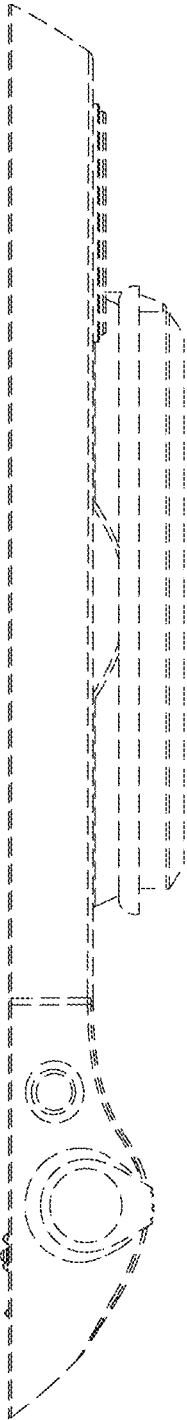


FIG. 6

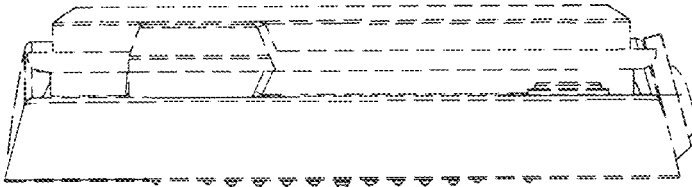


FIG. 7



FIG. 8