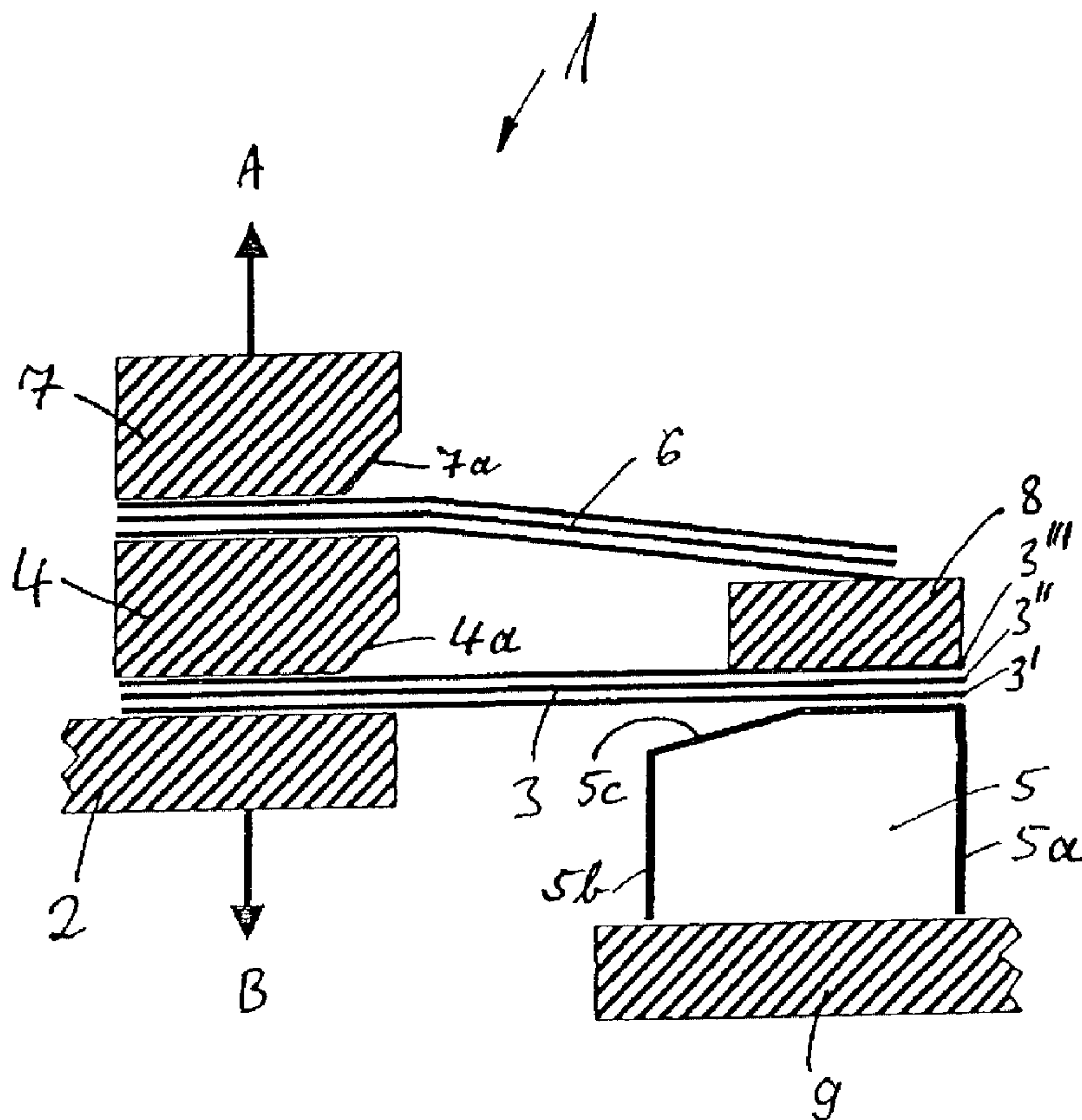




(86) Date de dépôt PCT/PCT Filing Date: 2002/11/26  
 (87) Date publication PCT/PCT Publication Date: 2003/06/26  
 (45) Date de délivrance/Issue Date: 2010/05/04  
 (85) Entrée phase nationale/National Entry: 2004/06/10  
 (86) N° demande PCT/PCT Application No.: EP 2002/013259  
 (87) N° publication PCT/PCT Publication No.: 2003/052027  
 (30) Priorité/Priority: 2001/12/14 (DE101 61 659.7)

(51) Cl.Int./Int.Cl. *C10B 25/16* (2006.01),  
*C10B 25/06* (2006.01)  
 (72) Inventeurs/Inventors:  
GIERTZ, HANS-JOSEF, DE;  
RUTHEMANN, KLAUS DIETER, DE;  
GEORGE, JUERGEN, DE;  
LIESEWITZ, FRANZ, DE;  
SCHRODER, HORST, DE;  
CYRIS, FRIEDRICH WILHELM, DE  
 (73) Propriétaire/Owner:  
DEUTSCHE MONTAN TECHNOLOGIE GMBH, DE  
 (74) Agent: OGILVY RENAULT LLP/S.E.N.C.R.L.,S.R.L.

(54) Titre : PORTE DE FOUR A COKE AVEC CANAL A GAZ PERIPHERIQUE ET MEMBRANE  
 (54) Title: COKE-OVEN DOOR WITH PERIPHERAL GAS CHANNEL AND MEMBRANE



(57) Abrégé/Abstract:

The invention relates to a coke oven door (1) with a gas channel that substantially encloses the oven door and a membrane that is fastened on the coke oven door (1) and that can be forced against the chamber frame against the action of a spring. The gas channel (5) is fastened on an at least bilayered membrane (3).

## (12) NACH DEM VERTRAG ÜBER DIE INTERNATIONALE ZUSAMMENARBEIT AUF DEM GEBIET DES PATENTWESENS (PCT) VERÖFFENTLICHTE INTERNATIONALE ANMELDUNG

(19) Weltorganisation für geistiges Eigentum  
Internationales Büro(43) Internationales Veröffentlichungsdatum  
26. Juni 2003 (26.06.2003)

PCT

(10) Internationale Veröffentlichungsnummer  
**WO 2003/052027 A3**(51) Internationale Patentklassifikation<sup>7</sup>: C10B 25/16,  
25/06

(21) Internationales Aktenzeichen: PCT/EP2002/013259

(22) Internationales Anmeldedatum:  
26. November 2002 (26.11.2002)

(25) Einreichungssprache: Deutsch

(26) Veröffentlichungssprache: Deutsch

(30) Angaben zur Priorität:  
101 61 659.7 14. Dezember 2001 (14.12.2001) DE(71) Anmelder (für alle Bestimmungsstaaten mit Ausnahme von  
US): DEUTSCHE MONTAN TECHNOLOGIE GMBH  
[DE/DE]; Am Technologiepark 1, 45307 Essen (DE).

(72) Erfinder; und

(75) Erfinder/Anmelder (nur für US): GIERTZ, Hans-Josef

[DE/DE]; Alter Kirchweg 37, 40880 Ratingen (DE).  
**RUTHEMANN, Klaus, Dieter** [DE/DE]; Essener  
Strasse 7, 45889 Gelsenkirchen (DE). **GEORGE, Jürgen**  
[DE/DE]; Jägerhof 8, 44866 Bochum (DE). **LIESEWITZ,**  
**Franz** [DE/DE]; Paul-Essers-Strasse 1, 45468 Mülheim a.  
d. Ruhr (DE). **SCHRÖDER, Horst** [DE/DE]; Westrich-  
erstrasse 18, 44388 Dortmund (DE). **CYRIS, Friedrich,**  
**Wilhelm** [DE/DE]; Papendelle 20, 47051 Duisburg (DE).(81) Bestimmungsstaaten (*national*): AU, BR, CA, CN, CZ,  
IN, JP, KR, PL, RU, SK, UA, US, ZA.(84) Bestimmungsstaaten (*regional*): europäisches Patent (AT,  
BE, BG, CH, CY, CZ, DE, DK, EE, ES, FI, FR, GB, GR,  
IE, IT, LU, MC, NL, PT, SE, SK, TR).

Veröffentlicht:

— mit internationalem Recherchenbericht

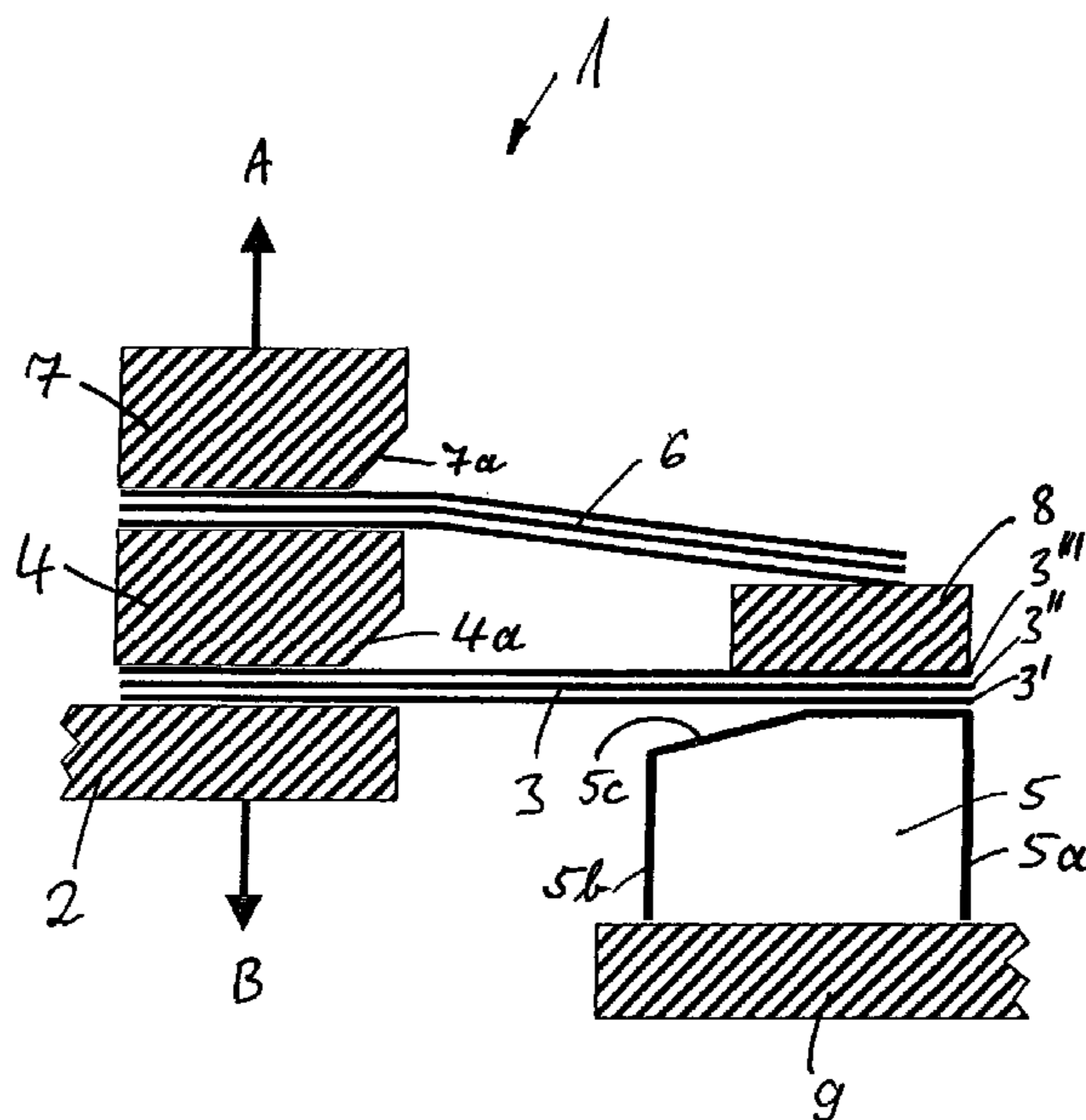
(88) Veröffentlichungsdatum des internationalen

Recherchenberichts: 19. Februar 2004

[Fortsetzung auf der nächsten Seite]

(54) Title: COKE OVEN DOOR WITH WRAPAROUND GAS CHANNEL AND MEMBRANE

(54) Bezeichnung: KOKSOFENTÜR MIT UMLAUFENDEM GASKANAL UND MEMBRANE



(57) Abstract: The invention relates to a coke oven door (1) with a gas channel that substantially encloses the oven door and a membrane that is fastened on the coke oven door (1) and that can be forced against the chamber frame against the action of a spring. The gas channel (5) is fastened on an at least bilayered membrane (3).

[Fortsetzung auf der nächsten Seite]

WO 2003/052027 A3

**WO 2003/052027 A3**



---

*Zur Erklärung der Zweibuchstaben-Codes und der anderen Abkürzungen wird auf die Erklärungen ("Guidance Notes on Codes and Abbreviations") am Anfang jeder regulären Ausgabe der PCT-Gazette verwiesen.*

---

**(57) Zusammenfassung:** Die Erfindung betrifft eine Koksofentür (1) mit einem die Ofentür im wesentlichen vollständig umgebenden Gaskanal und einer Membrane, die an der Koksofentür (1) befestigt ist und federnd gegen den Kammerrahmen anpressbar ist, wobei der Gaskanal (5) an einer Membrane (3) aus mindestens zwei Schichten befestigt ist.

## 5 COKE-OVEN DOOR WITH PERIPHERAL GAS CHANNEL AND MEMBRANE

The invention relates to a coke-oven door with a membrane, a coke-oven door with a peripheral gas channel and membrane, and their use.

10

Such a door is known from WO 01/309390. The gas channel on the coke-oven door forms a seal system for preventing the entry and exit of vapors from the coke-oven chamber, so that combustion gases cannot leak from the coke-oven chamber and air cannot get  
15 into the coke-oven chamber.

It is important that the door seal or door edge form a tight seal around the entire periphery of the gas channel.

It is known that the change in temperature vertically along the door causes the door to bend. There are many suggestions  
20 of how to make the seal of the coke-oven door compensate for such deformation. These solutions all have the disadvantage that the spring-loaded seal travel is insufficient to compensate for all deformations.

German 4,103,504 describes a coke-oven door where a  
25 membrane is pressed by springs against a frame of the coking chamber. The problem with this system is that the membrane must be thick enough that it can withstand the spring forces, that is the membrane must be sufficiently mechanically rigid. The membrane should not be damaged or destroyed by standard cleaning procedures.

On the other hand, the membrane must be relatively bendable. These two conflicting requirements are never both met, so that the deformability of the membrane by the springs is insufficient and sealing is unsatisfactory.

5

It is an object of the invention to provide a coke-oven door whose seal can be moved sufficiently by its springs that the gas channel can conform to any deformations and always provide a good seal. In addition the seal system should be compact enough  
10 that it is retrofittable on existing coke-oven doors. The object of the invention also relates to the use of a coke-oven door.

Further features are seen in the dependent claims.

15 The invention is based on two general ideas. On the one hand the gas channel should be spring-biased with a force that is as uniform as possible over its length while still having the greatest possible range of movement or travel; on the other hand the spring force should be so effective on the gas channel that the  
20 biasing force applied to the outer door edge is greater or at least equal to the pressure applied at the inner door edge. The seal between the gas channel and the coke-oven door is ensured by a membrane that must be able to deflect considerably while still being quite strong in order to compensate for all possible  
25 deformations. The gas channel has therefore to be flexible so that at every point the outer door-seal edge bears with the same pressure.

As a result of the flexibility of the membrane it is possible to make the structure very compact while still allowing it to deflect considerably. These factors make it possible using existing mounting hardware to retrofit coke-oven doors where  
5 limited space is available.

The embodiment of the membrane in combination with the spring and the resulting large spring travel is in and of itself an invention, that is this embodiment can be used in standard systems regardless of the type of gas channel.

10 If for example conditions preclude the provision of the gas channel, the seal system of the invention can be used to replace any preexisting seal system. The membrane with its considerable flexibility ensures better sealing even with conventional seal systems.

15 The seal system according to the invention makes it possible to compensate for any possible deformations of the chamber frame and also of the coke-oven door so that at any time a complete seal is guaranteed. When using the gas channel the seal system also has the advantages described in WO 01/30939, that is gas-  
20 pressure equalization between the gas channel and the coke-oven chamber and so that as a result the crude-gas pressure on the outer seal edge is more easily controlled.

25 According to the invention the membrane is formed of at least two sheets. This embodiment has the advantage that the elastic deformability of the membrane is improved with respect to a membrane having a single sheet of uniform thickness. As a result of the elastic properties of the membrane, the membrane returns to

the starting position under spring force when the pressure on it is lessened.

The membrane according to the invention can be sandwiched together of several different materials. The membrane sheet  
5 closest to the gas channel is made corrosion resistant while the central membrane (e.g. spring steel) serves as spring and the upper one contributes to the spring function.

According to a further embodiment of the invention, the membrane is formed of two sheets. The individual sheets are more  
10 elastic than a single sheet of a thickness equal to the combined thickness of both sheets, and the sheets can slide on each other on deformation.

The membrane can also be made as a laminate. In the simplest case the two sheets are joined together. This can be done  
15 for example by webs or other materials, e.g. plastics or glues. They can also be joined by the tar recovered in the coke plant.

The individual sheets of the membrane can have different thicknesses. In this manner the bending characteristics of the membrane can be varied over a wide range and optimally matched to  
20 requirements.

The individual sheets of the membrane are no more than one centimeter thick. With this embodiment the membrane can be made of quite a few individual sheets that can shift relative to one another. In this manner outer faces of the individual sheets  
25 slide on one another. The membrane is thus more flexible and can deform elastically more. As a result more spring travel is possible. This embodiment has the advantage that damage to one of

the individual sheets is automatically sealed by the sticky condensate (tar).

It is also possible that the sheets that seal the door opening are heat-and corrosion resistant and the other sheets are constituted so that they impart sufficient bendability to the membrane.

According to a further embodiment of the invention at least one of the sheets is a spring. As a result, the membrane itself contributes to the spring action.

The sheets forming the membrane can be molded. Thus any possible type of spring or membrane sheet known in the art can be used.

It is of course also possible to combine individual sheets with the above-described characteristics.

The membrane according to the invention can be made of any type of springs known in the art. As a result of its considerable bendability it can accommodate any spring travel.

It is also possible to make the membrane as the spring. To this end one or more of the sheets of the membrane is made as a spring.

According to an embodiment the spring is formed as a stack of leaf springs that are jointly fixed to the door plate above the membrane and that press on the gas channel. To this end in order for the seal edges to compensate better for deformations, the leaf springs are formed as segments.

Another possibility is to provide the door plate with mounting elements for carrying a push rod that presses on the gas passage. The push rod can be biased for example with spring

washers, coil springs, or even by a hydraulic or pneumatic unit against the gas channel.

A further possibility of biasing the gas channel is to mount a leaf spring on the door plate. In this embodiment the leaf  
5 spring can itself be a relatively stiff element with limited elasticity and the actual spring travel is created by the spring mount.

The spring mount can be done e.g by spring washers that bear on a screw. A further embodiment is mounting a spring on a  
10 spring bar. It is also possible to make a spring such that it assumes the spring function of the spring washers or spring bar. This embodiment has the advantage that a single spring part can be used to take care of two different spring functions.

Such an arrangement ensures that the gas channel is  
15 mounted in a spring system with a relatively large travel. The spring travel is created by the stroke of the spring and the stroke that is imparted to the spring by its mount.

The membrane must be made such that it can follow the full spring travel. On the other hand the membrane must be  
20 sufficiently springy that it returns to its starting position. This of course applies to all the spring components of the spring system.

According to the invention it is possible to provide a rigid double seal (gas channel) with a large spring travel on the  
25 door frame, the biasing force being the same over its entire length.

With the above-described spring system it is possible to create any desired biasing force with the desired distribution and

spring characteristic, that is the inner and outer edges of the gas channel can be biased with different or the same biasing forces. Thus for example various leaf springs can be used together so as to produce a spring effect that increases with increasing deflection.

5 This can be done either by changing the shape or length of the leaf springs or by providing stops spaced at appropriate distances from the spring.

The same possibilities also exist with other spring systems. When using the system with pusher rods, attention must be  
10 paid that the biasing force is spread out by an appropriate pressure-distributing bar. Such a pressure-distributing bar must be so flexible that the gas channel can fit to the nonplanarities of the chamber frame.

The springs can also be prestressed to different extents  
15 to achieve the desired biasing.

The springs can also be made as a laminate. To this end all the known systems can be used. Since the style of lamination of the membranes in springs affects flexibility, lamination can be used both for the springs as well as for the membrane.

20 Such layering can be such that passages are created between the individual layers of the spring or of the membrane. The passages can be set up to conduct an appropriate heating or cooling medium. It is also possible to fill the passages with insulation.

25 The gas chamber must be set up such that it can compensate for irregularities and deformations of the chamber frame. On the other hand the gas chamber must have a large enough cross section that crude gas can be carried away without any

pressure buildup. In any case the gas channel has an inner and outer seal edge. The gas channel must be as flexible as possible at these edges. It is therefore possible for example to make the edges of the walls of the gas channel at the sealing edges somewhat  
5 thinner or to cut them away or bend them back and thus increase the bendability in this region.

It is also possible to mount a door-sealing lip on the inner or outer wall of the gas channel. The gas channel can also be formed of appropriately formed elements of the membrane or of  
10 the spring (leaf springs).

A particular problem is sealing coke-oven doors at the corners. The invention suggests that the membranes at the corners are made of one piece, that is the individual layers of the membrane are made of one piece for the upper and lower regions such  
15 that they form a U. The membrane that seals the long sides of the coke-oven door is fitted to this U-shape. With this system a long-lived gas seal is created since the seams lie outside the strongly loaded corner regions.

The individual parts of the membrane can be connected  
20 together by welding. As a result of the construction of the membrane as individual layers, the membrane can be connected together such that the seams of the individual layers are offset to one another. As a result of this overlapping of the individual layers of the membrane in this region there is excellent gas  
25 sealing. Since in these connection regions the membranes have the same thickness, the individual membrane sheets must be butted. This butting can be done in different ways. In the simplest case the individual membrane layers are cut square and pushed together

edgewise. It is also possible to butt the membrane layers on diagonals. The edges of the individual membrane sheets can also be beveled so that they meet at a sharp edge. The diagonal orientation of the butting edges increases the length of the seal surfaces while the angling (sharpening) of the membrane layers increases the seal surface.

With the membrane according to the invention with its layered construction it is possible to mount the membrane in corner regions. In this embodiment the individual membrane layers are of reduced thickness where they overlap so that the two overlapping layers together have the thickness of a single layer. This can be done for example by beveling (sharpening) or by appropriately milling away (forming a step).

These connections are stabilized by the tar present in the crude gas that gets into the cracks or interstices. As a further embodiment, tar can also be used as a glue or adhesive in the construction of the membrane to unite the individual membrane layers.

In the embodiment of a membrane having layers less than one millimeter thick, the individual membrane layers can be overlapped without special procedures in the joint regions. It is sufficient to offset the membrane sheets in the joint regions.

Since the profile of the gas channel engages the chamber frame and is not shaped by the spring, in these region there are no stresses or only minor ones. The gas channel can have mitered corners. Since in this region the weld seams are only subject to modest forces another type of joint can be used. It is also possible to insert one part of the gas channel into another at the

corner. Such an inserted joint is shown in the drawing. The exact type of insert connection can be provided at any desired region of the gas channel.

5 The seal system according to the invention with membrane, gas channel, and spring is exceptionally good for sealing leaky coke-oven doors. It is possible to retrofit all coke-oven doors on the market. The membrane with spring according to the invention can also be used to retrofit all the known seal systems.

10 The parts described above, claimed, and described specifically can according to the invention be made in different sizes and shapes, of different materials, and according to different principles so that the scope of the invention is not limited.

15 Further specifics, features, and advantages of the invention are seen from the following description and the corresponding drawing in which by way of example several embodiments of the invention are shown.

Therein:

20 FIG. 1 is a partial section through a coke-oven door with gas channel, membrane, and leaf spring;

FIG. 2 is an embodiment with a pusher rod and spring washers;

25 FIG. 3 is an embodiment with a spring-mounted biasing unit;

FIGS. 4a and 4b are an embodiment with a biasing unit formed by a structural element;

FIG. 5 is an embodiment of a multilayer membrane;

FIG. 6 is an embodiment wherein the biasing unit, membrane, and gas passage are all one assembly;

FIG. 7 is an embodiment of the gas channel with a flexible door-sealing edge;

5 FIG. 8 is the embodiment of FIG. 1 wherein the biasing force is applied in the region of the outer door-seal edge;

FIG. 9 is an embodiment of the corner of the gas channel with plug-in interfit;

10 FIG. 10 is an embodiment with a considerable range of biased movement.

FIG. 1 is a partial view of a coke-oven door 1 at its peripheral gas channel 5. A membrane 3 is fixed by a mounting element 4 on a door plate 2 of the coke-oven door 1. The mounting  
15 element 4 has an edge bevel 4a. The membrane 3 is comprised of three vertically spaced sheets 3', 3'', and 3'''. The gas channel 5 is defined between an outer door edge 5a and an inner door edge 5b at an outer periphery of the membrane 3. The gas channel 5 has on the inner door-seal edge 5b an edge bevel 5c. Leaf springs 6 that  
20 are supported on a mounting element 7 are carried on the mounting element 4. The mounting element 7 also has an edge bevel 7a. The leaf springs 6 press against a bar 8 that is secured to the edge of the membrane 3 at the gas channel 5. The gas channel is pressed by the leaf springs 6 against the chamber frame 9 of an unillustrated  
25 coke-oven chamber. Thus the gas channel 5 seals against the chamber frame 9. Movements caused by deformations of the chamber frame 9 and/or of the coke-oven door 1 are compensated for by the leaf springs 6 in that the gas channel 5 is always pressed

sealingly against the chamber frame 9. The flexible membrane 3 offers very little resistance to the leaf springs 6. The bevels 4a and 5c of the mounting element 4 and gas channel 5 allow the membrane 3 to follow the movements created by the leaf springs 6. The range of movement of the coke-oven door 1 is shown by arrows A and B. The bevel 7a of the mounting element 7 creates a long lever arm and thus a larger range of movement of the leaf springs 6.

FIG. 2 shows another embodiment of the seal system according to the invention. A holder 11 for a pusher rod 10 is mounted on the door plate 2 with the membrane 3 and the mounting element 4. The pusher rod 10 carries stacks of spring washers 12 that urge the pusher rod 10 toward the bar 8 and toward the gas channel 5 as a pressure-distributing beam and thereby press the gas channel 5 against the chamber frame 9. The spring washers 12 are prestressed by lock nuts 13.

FIG. 3 shows how the gas channel 5 is pressed by a leaf spring 15 against the chamber frame 9. The leaf spring 15 is supported by stacks of spring washers 17 on a screw 16 that is in turn mounted on the mounting element 4. With this spring mount there is a considerable range of movement for the leaf spring 15.

FIG. 4a shows a further embodiment of the seal system for a coke-oven door 1 having a spring that is formed as a biasing element 20. The spring biasing element 20 pushes via the bar 8 and the membrane 3 on the gas channel 5 that is thus pressed against the chamber frame 9. The depth of engagement of the spring-biasing part 20 in a holder element 21 as shown by double-headed arrow A allows the spring travel and characteristics to be varied.

FIG. 4b shows the same embodiment of the spring. A screw 22 allows the spring part 20 to be prestressed.

FIG. 5 shows a membrane 25 formed of multiple layers. The membrane 25 is comprised of membrane sheets 26, 27, 28, and 29.

5 The membrane sheets 27 and 28 are connected together by webs 30. The webs 30 form passages 31 between the membrane sheets 27 and 28.

The passages 31 can hold a fluid so that the passages 31 serve as cooling or heating passages. It is also possible that the passages 31 and/or the spaces between the membrane sheets 26 and 27 or 28  
10 and 29 are filled with insulation so that the membrane 25 or at least part of the membrane 25 functions as an insulating layer.

FIG. 6 shows a membrane 40 with membrane sheets 41 and 42. The membrane sheets 41 and 42 are bent at right angles at their free ends and are clamped together at their other ends so  
15 that the gas channel 5 is formed between two of the right-angle end portions. At lower outer ends of the right-angle end portions the membrane sheets 41 and 42 have bent-back edges 43. These bent edges 43 form seal edges 43' that seal the gas channel 5 relative to the chamber frame 9. Leaf springs 44, 45, and 46 press against  
20 the membrane 40. The leaf springs 44, 45, and 46 are of different lengths. In this manner the spring force increases with increasing deflection.

FIG. 7 shows the gas channel 5 with an outer door-seal edge 50 and an inner door-seal edge 51. The inner door-seal edge  
25 51 has at its lower end a groove 52. Below the groove 52 the inner door-seal edge 51 is formed with a bevel 54 so that it forms a door-sealing lip 56. The outer door-sealing edge 50 similarly has on its lower edge a groove 53 and a bevel 55. The bevel 55 extends

over the entire width of the door-seal edge 50. In this manner it is possible to press with a spring force  $F$  directly against the door-seal lip 57 and thus get flexible accommodation to the chamber frame 9.

5           FIG. 8 shows how the membrane 3 and the leaf spring 6 are secured with the mounting element 4 to the door plate 2. The lowermost leaf spring of the leaf spring assembly 6 is bent over on its free end and thus forms point or line contact between the membrane 3 and the outer door-seal edge of the gas channel 5. The  
10 point or line contact of the leaf spring 6 can be increased by pushing a wedge 60 between the individual leaf springs of the leaf-spring assembly 6.

          FIG. 9 shows a corner region of the gas channel 5. The gas channel 5 is formed by connection in the direction of arrow A  
15 at a corner region. To this end the right-hand part of the gas channel 5 is inserted into an opening 64 in the left-hand part. An opening 65 in the right-hand part of the gas channel permits unhindered gas flow at the corner region of the gas channel 5. The fit is tight enough that further connecting elements for the two  
20 parts of the gas channel 5 are not needed since any leaks are plugged by tar. It is also possible to use tar or another adhesive to connect the two gas-channel parts.

          FIG. 10 shows show a leaf spring 70 bears with a slide face 71 on the bar 8 and thus against the membrane 3 and the gas  
25 channel 5. When the coke-oven door 1 and/or the chamber frame 9 deform as shown by arrows A and B the leaf spring 70 shifts with its slide face 7a along an edge of the bar 8. The extent of spring travel is determined by the stroke of the leaf spring 70, the

stroke defined by angular deformation of the slide face 7a and the leaf spring 70, and the sliding of the bar 8 along the slide face.

The sum of these three factors produces a considerable amount of possible movement. The inner door-seal edge 5b of the gas channel  
5 forms a gap 72. On movement of the coke-oven door 1 in the direction of the arrow B the outer door-seal edge 5a of the gas channel engages the chamber frame 9. Further movement in this direction first presses the outer door-seal edge 5a of the gas channel on the chamber frame 9. On further movement the inner edge  
10 5b of the gas channel seats and the gap 72 is closed. In this manner the already large spring travel of this system is further increased. On opposite movement of the coke-oven door in the direction of the arrow A the inner door-seal edge 5b of the gas channel first lifts off the chamber frame 9 while the outer door-  
15 seal edge 5a of the gas channel 5 still seals.

## Parts List

1	coke-oven door	25	membrane
2	door plate	26	membrane sheet
3	membrane	27	membrane sheet
3'	sheet	28	membrane sheet
3"	sheet	29	membrane sheet
3''	sheet	30	web
4	mounting element	31	passages
5	gas channel	40	membrane
5a	door-seal edge	41	membrane sheet
5b	door-seal edge	42	membrane sheet
6	leaf springs	43	bent end
7	mounting element	43'	seal edge
8	strip	44	leaf spring
9	chamber frame	45	leaf spring
10	pusher rod	46	leaf spring
11	mount	50	outer door seal
12	spring washers	51	inner door seal
13	nuts	52	groove
15	leaf springs	53	groove
16	screw	54	bevel
17	spring washers	55	bevel
20	spring	56	door seal
21	mounting element	57	door seal
22	spring	60	wedge
64	opening	70	leaf spr8ing
65	opening	71	slide face

72	gap
A	arrow
B	arrow

## CLAIMS:

1. In combination with a coke-oven door having an annular periphery normally juxtaposed with an annular door frame, a seal assembly comprising:

at least two flexible, relatively displaceable, metallic, and annular membranes each having an annular inner periphery and an annular outer periphery;

a U-section channel fixed to the outer periphery of only one of the membranes, open toward the door, and having annular inner and outer edges, the other of the membranes bearing on the one membrane and therethrough on the channel;

mounting means for securing the inner peripheries of the membranes to the periphery of the door; and

spring means for urging the edges of the channel with a spring force against the door frame.

2. The door seal assembly defined in claim 1 wherein there are at least four membranes.

3. The door seal assembly defined in claim 1 wherein the membranes are of different thicknesses.

4. The door seal assembly defined in claim 1 wherein at least one of the membranes is elastically deformable and forms part of the spring means.

5. The door seal assembly defined in claim 1 wherein the membranes are of different materials.

6. The door seal assembly defined in claim 1 wherein the spring means includes a plurality of leaf springs each having an inner end attached to the door and an outer end bearing on the membranes and channel.

7. The door seal assembly defined in claim 6 wherein the leaf springs are of different lengths.
8. The door seal assembly defined in claim 6 wherein the leaf springs are spaced apart.
9. The door seal assembly defined in claim 6 wherein the outer ends of the leaf springs are bent toward the door.
10. The door seal assembly defined in claim 6 wherein the spring means further includes  
a wedge engageable between the leaf springs.
11. The door seal assembly defined in claim 1 wherein the spring means includes  
an array of push rods bearing against the membranes and channel, and respective springs engaged between the push rods and the door.
12. The door seal assembly defined in claim 11 wherein the springs are each constitute by a stack of spring washers.
13. The door seal assembly defined in claim 11 wherein the spring means further includes  
a pressure-equalization bar extending generally parallel to the door between the array or rods on one side and the channel and membranes on the other side.
14. The door seal assembly defined in claim 11 wherein the spring means includes  
abutment screws fixed on the membranes and engageable with the door.

15. In combination with a coke-oven door having an annular periphery normally juxtaposed with an annular door frame, a seal assembly comprising:

an annular membrane formed of at least two flexible and relatively displaceable sheets each having an annular inner periphery and an annular outer periphery;

a U-section channel fixed to the outer peripheries of the sheets, open toward the door, and having annular inner and outer edges;

mounting means for securing the inner periphery to the periphery of the door;

spring means for urging the edges of the channel with a spring force against the door frame; and

webs extending between the membranes and forming passages, whereby a heat-exchange liquid can be flowed through the passages.

16. The door seal assembly defined in claim 1 wherein the membranes are leaf springs.

17. The door seal assembly defined in claim 1 wherein the membranes are planar and generally parallel.

18. The door seal assembly defined in claim 17 wherein the membranes flatly engage one another.

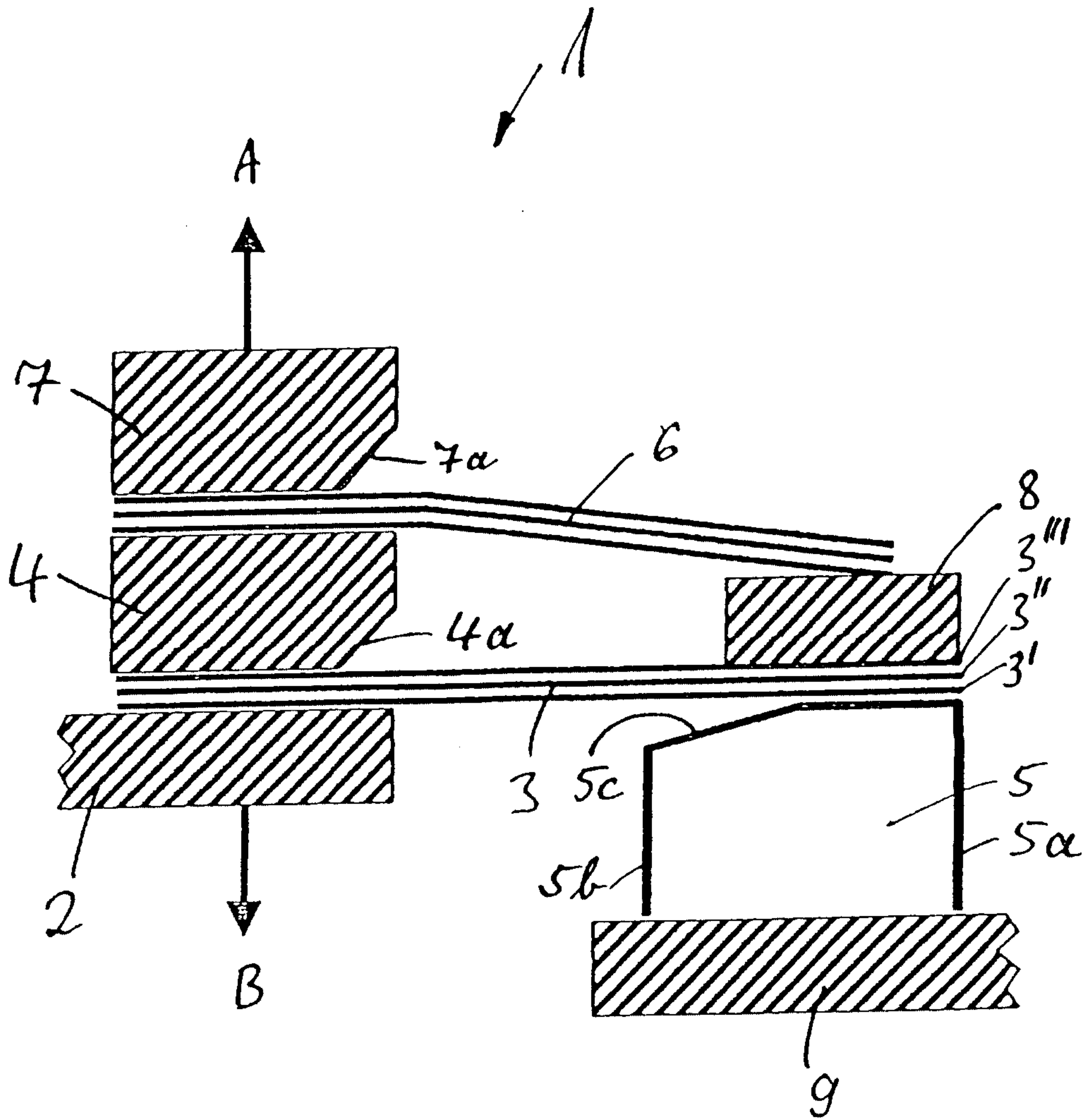


Fig. 1

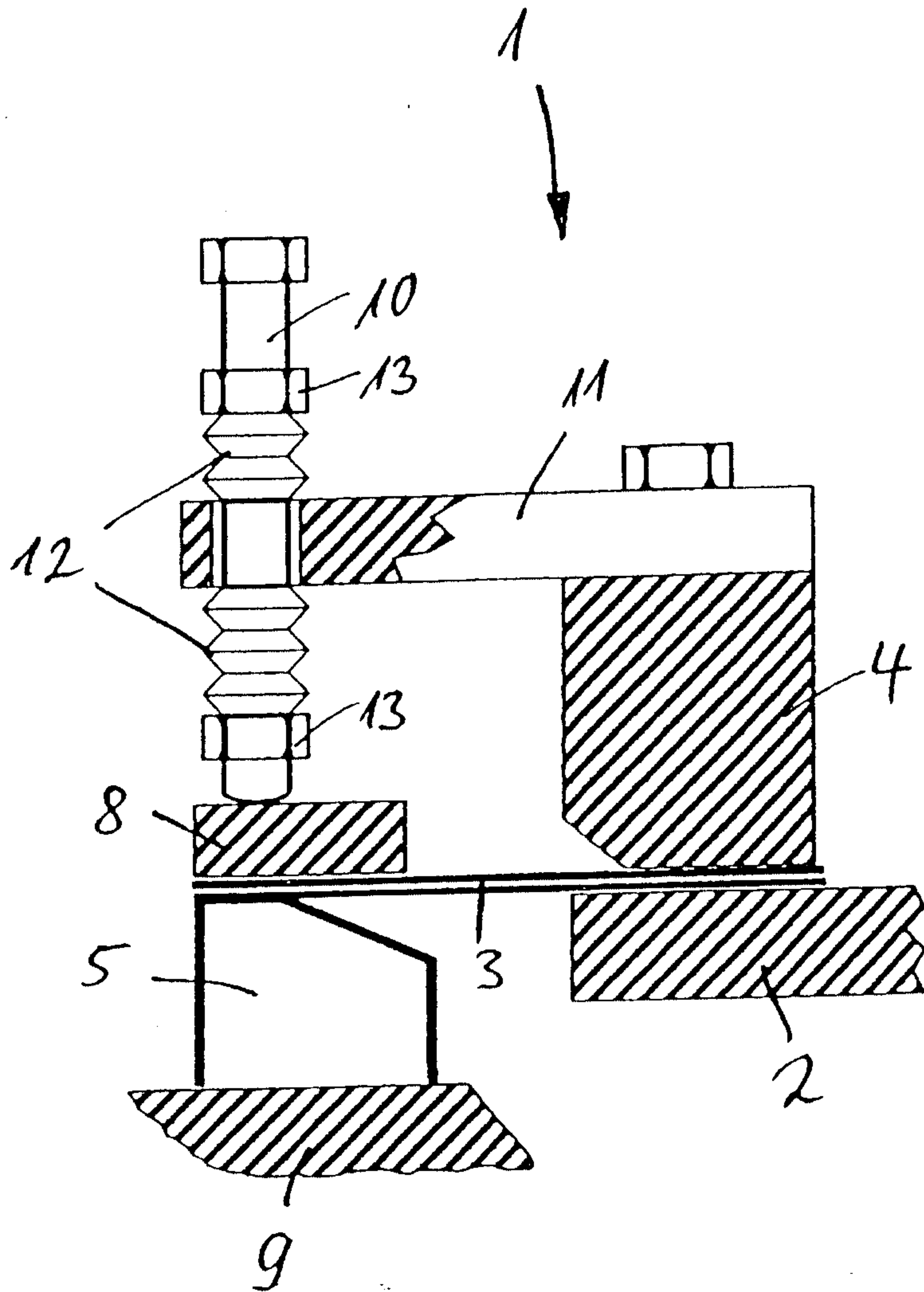


Fig. 2

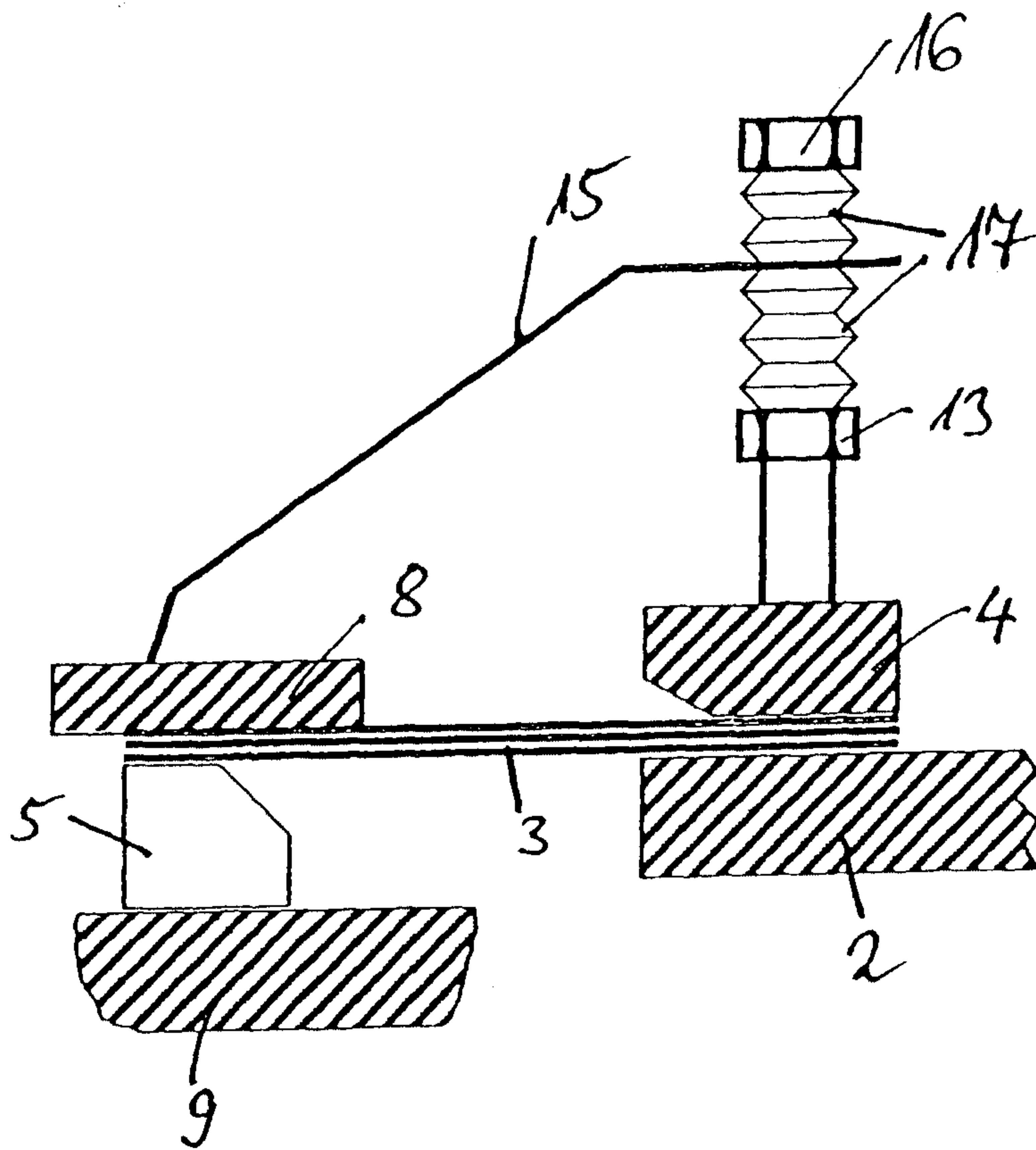


Fig. 3

4 / 10

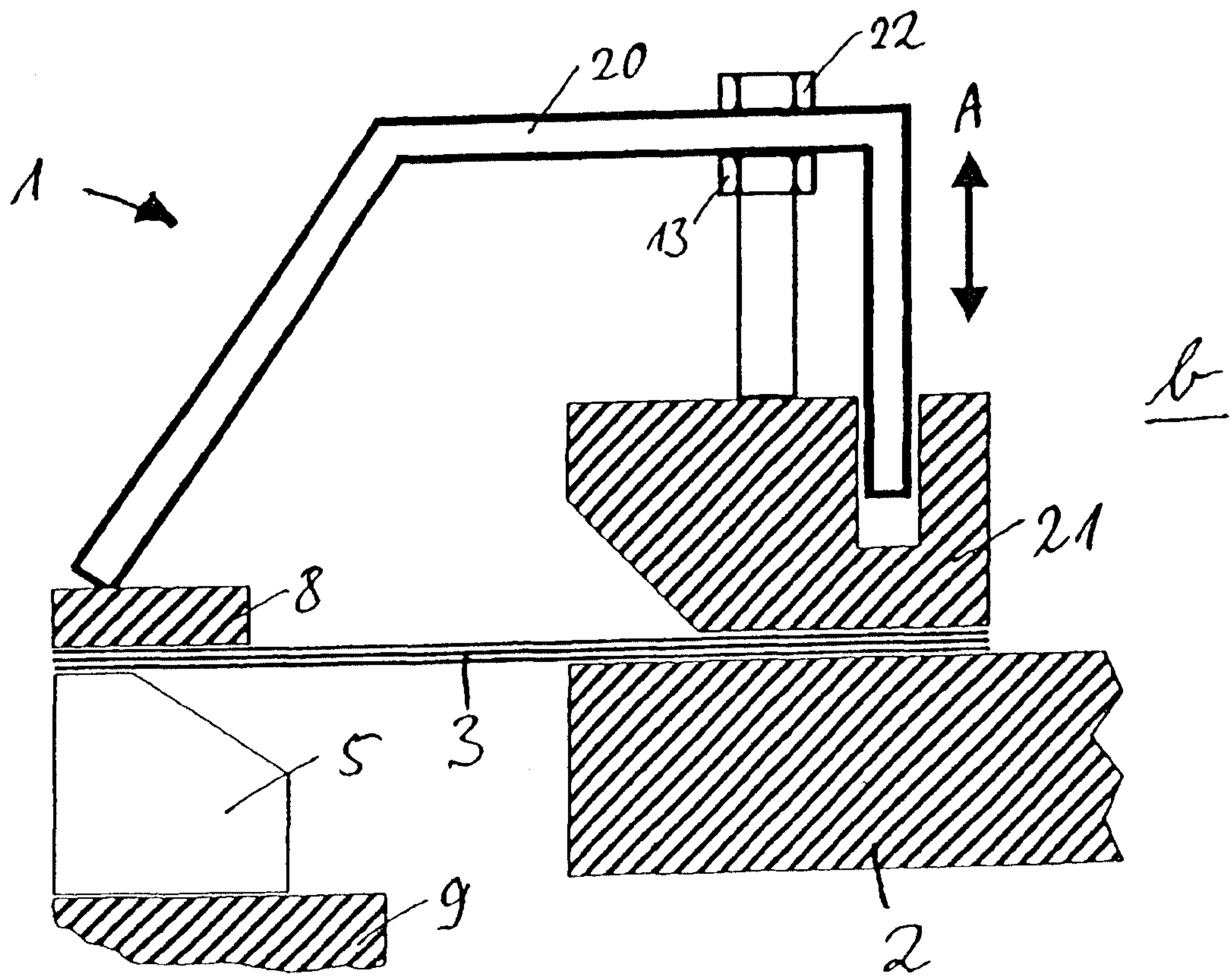
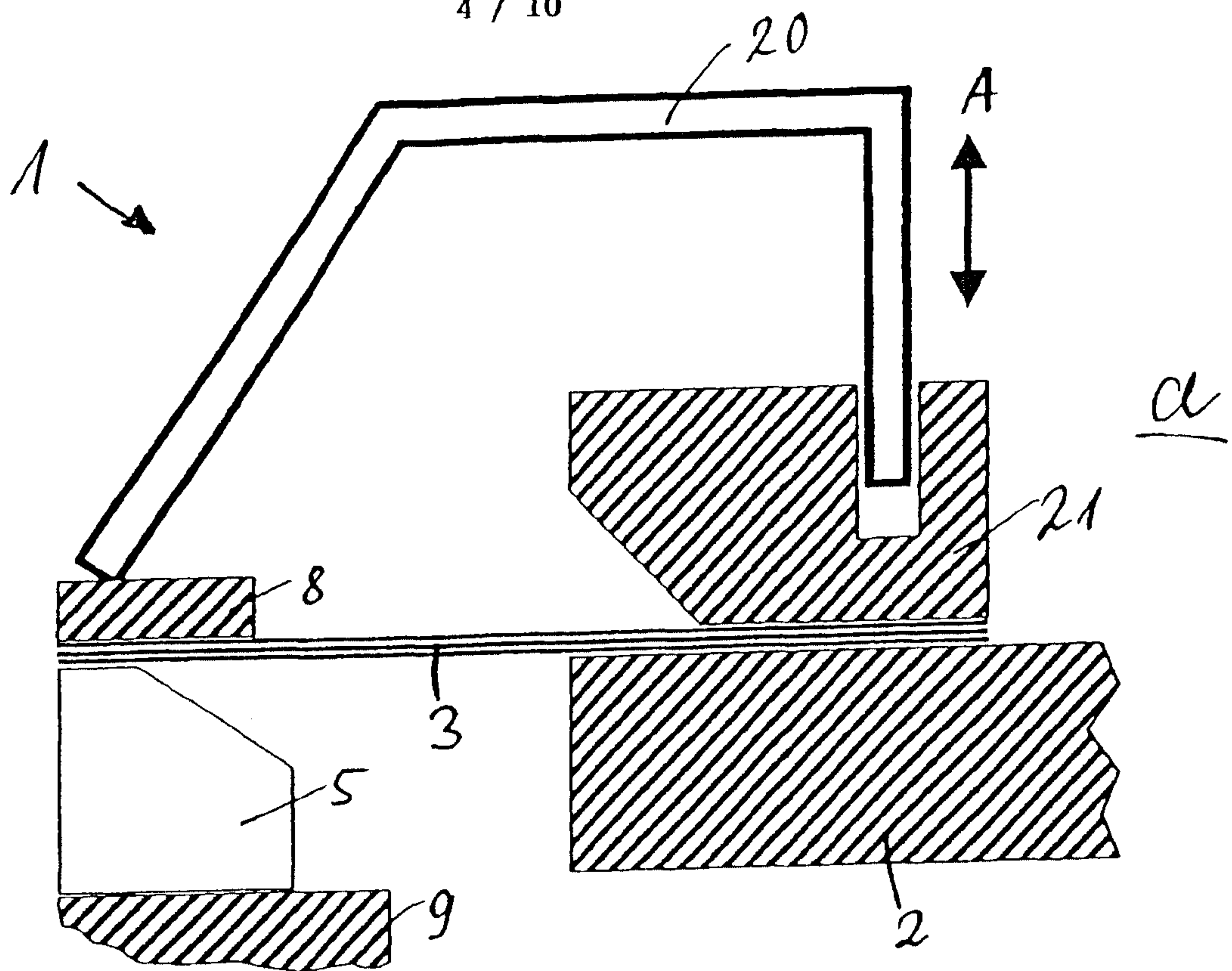


Fig. 4

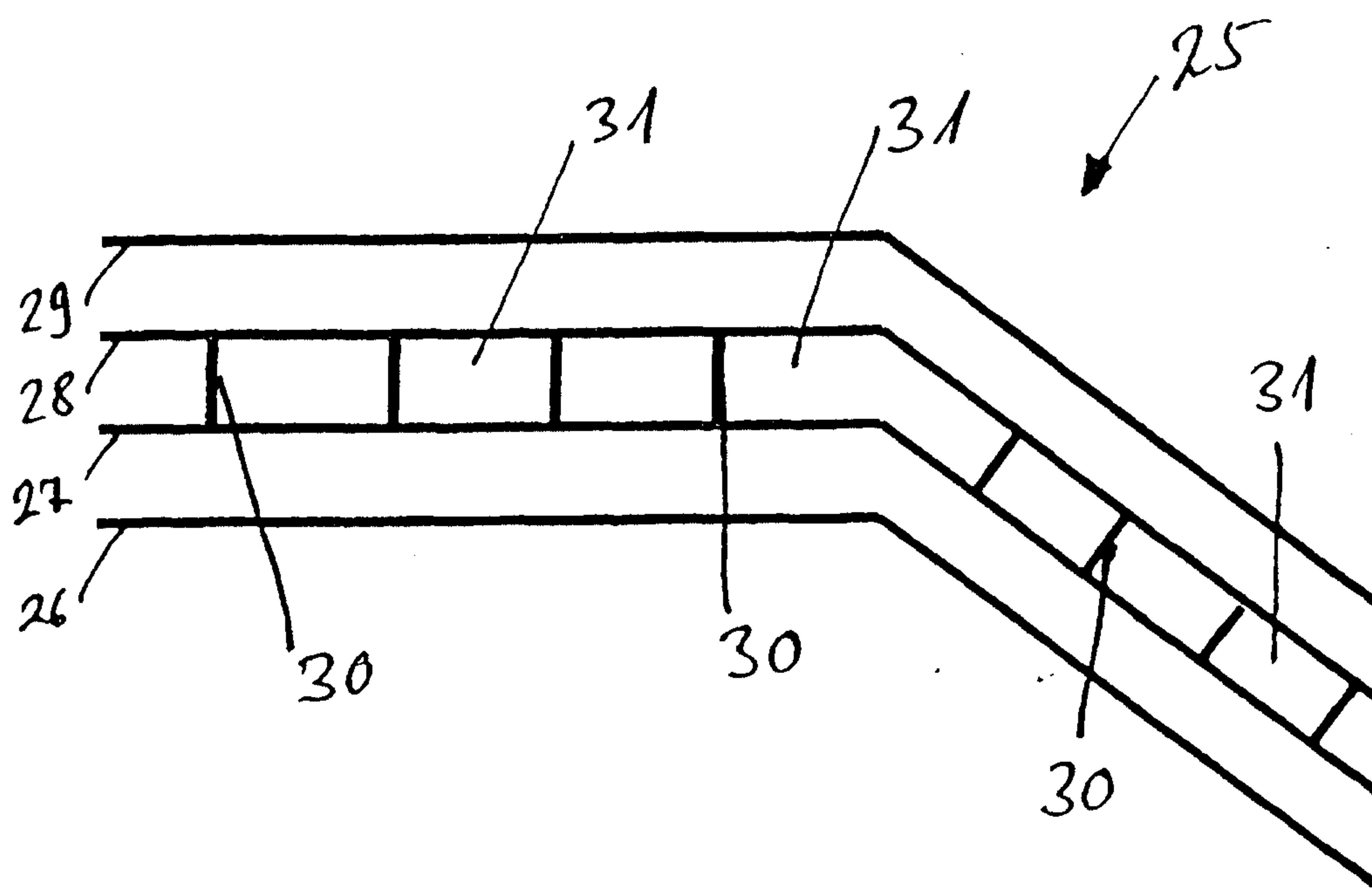


Fig. 5

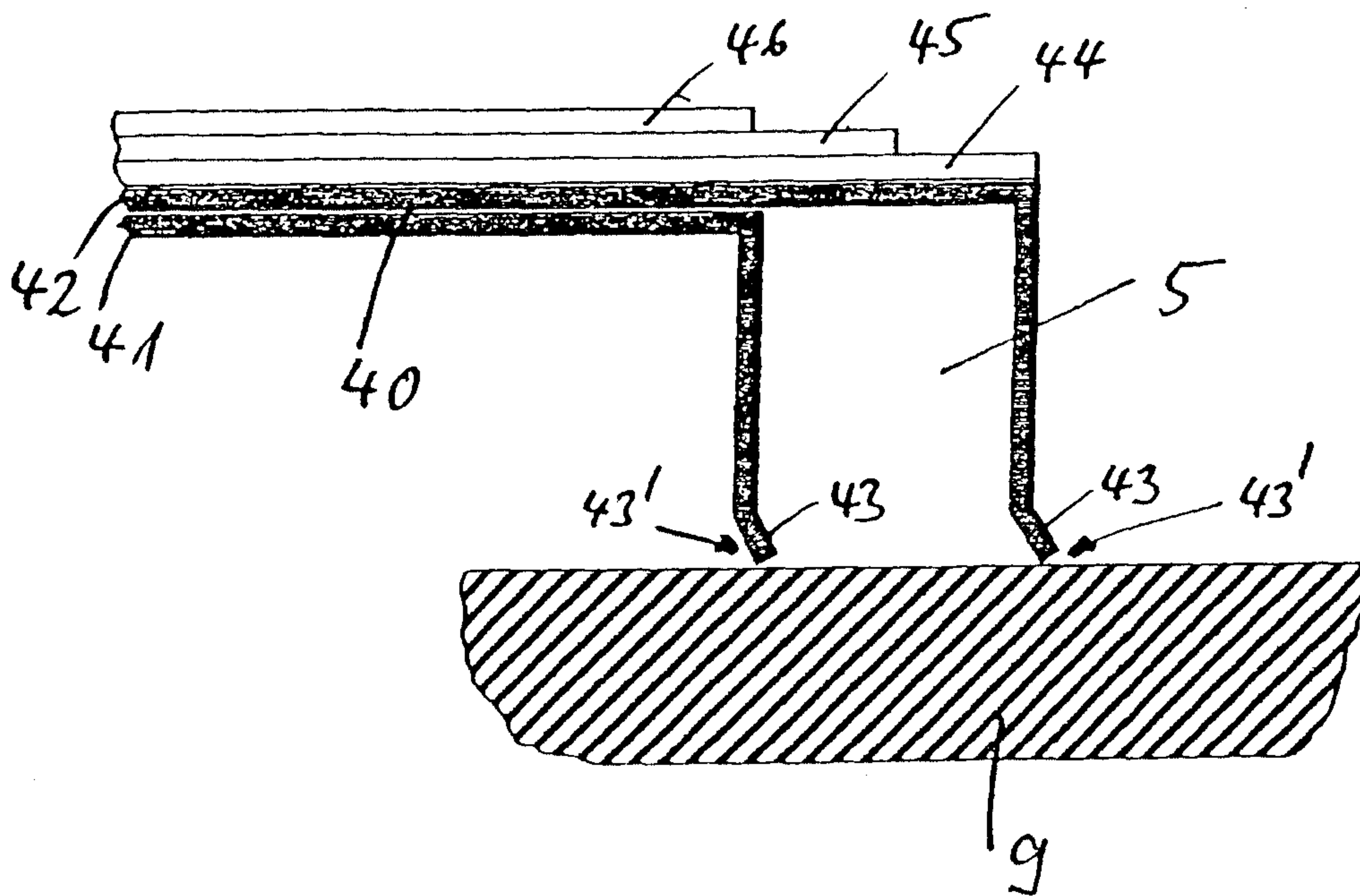


Fig. 6

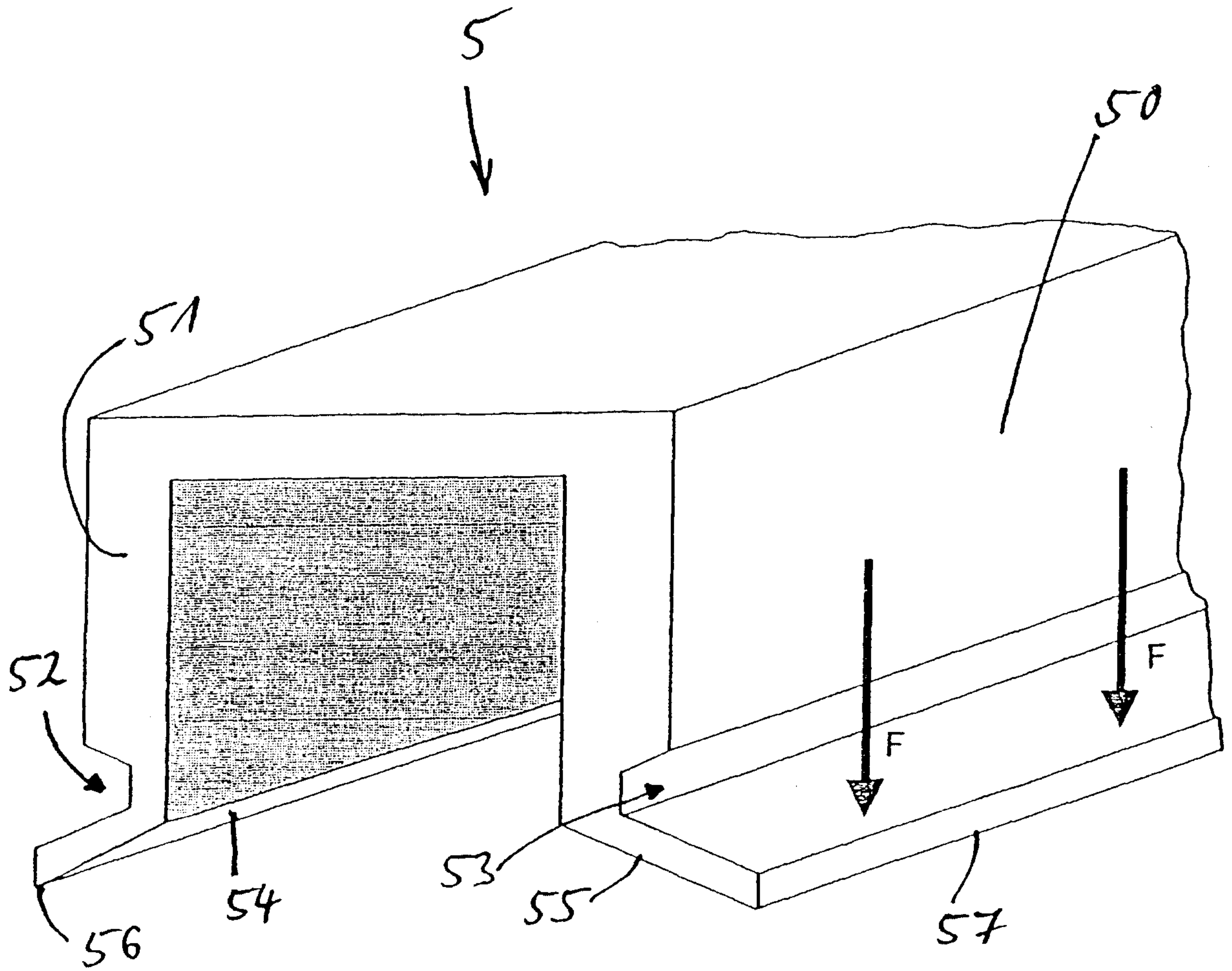


Fig. 7

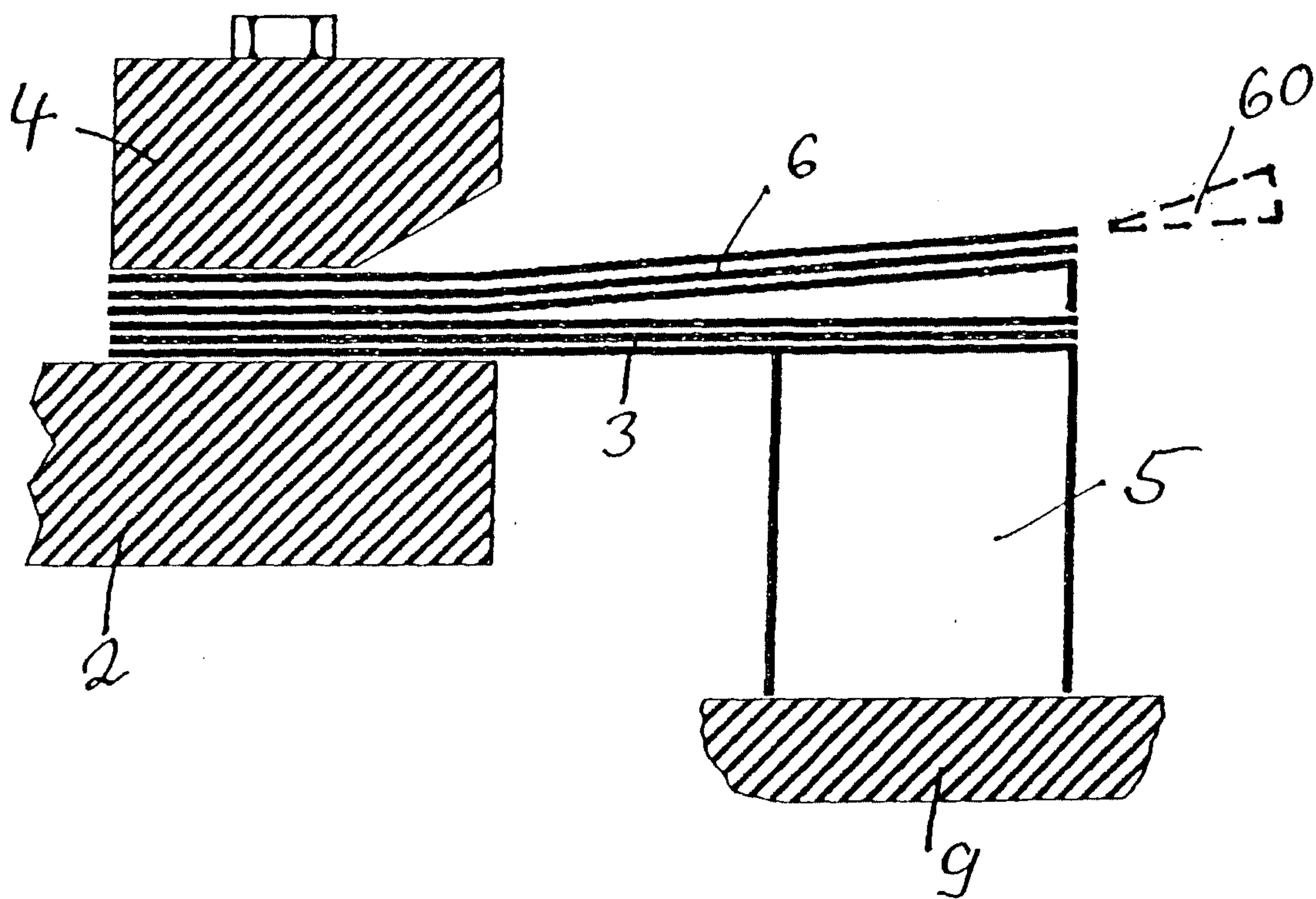


Fig. 8

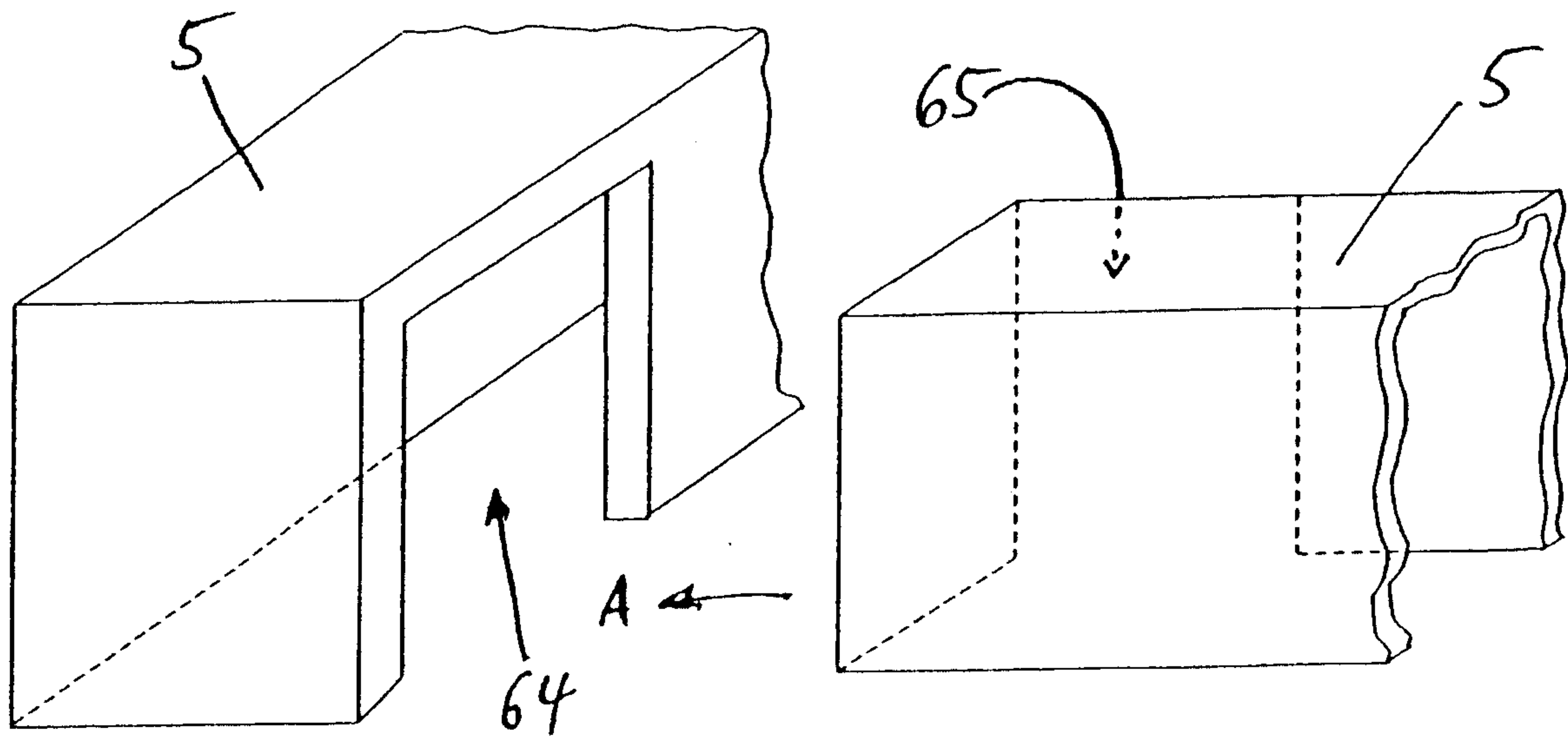


Fig. 9

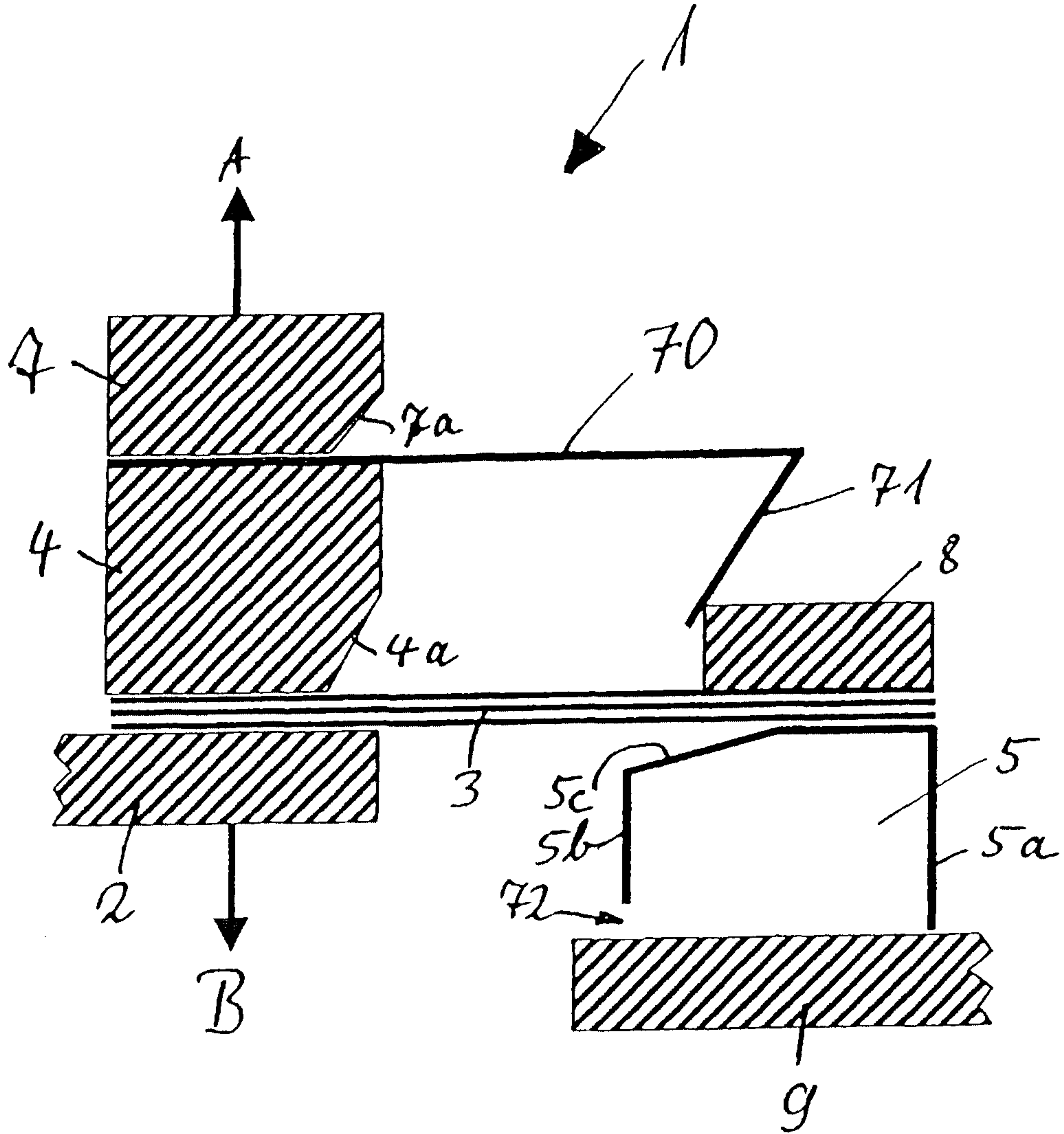


Fig. 10

