



(12) **United States Design Patent**  
**Seimori et al.**

(10) **Patent No.:** **US D943,440 S**  
(45) **Date of Patent:** **\*\* Feb. 15, 2022**

(54) **GAS CONCENTRATION DETECTION SENSOR**

- (71) Applicant: **NGK Insulators, Ltd.**, Nagoya (JP)
- (72) Inventors: **Tomoya Seimori**, Nagoya (JP); **Yosuke Adachi**, Nagoya (JP)
- (73) Assignee: **NGK Insulators, Ltd.**, Nagoya (JP)
- (\*\*) Term: **15 Years**
- (21) Appl. No.: **29/720,218**
- (22) Filed: **Jan. 10, 2020**

**Related U.S. Application Data**

- (62) Division of application No. 29/661,436, filed on Aug. 28, 2018, now Pat. No. Des. 884,523.

(30) **Foreign Application Priority Data**

Mar. 14, 2018	(JP)	2018-005327
Mar. 14, 2018	(JP)	2018-005328
Mar. 14, 2018	(JP)	2018-005338
Mar. 14, 2018	(JP)	2018-005341

(51) **LOC (13) Cl.** ..... **10-04**

(52) **U.S. Cl.**  
USPC ..... **D10/81**

(58) **Field of Classification Search**

USPC ..... D10/81  
 CPC ..... G01D 11/24; G01N 27/16; G01N 27/18;  
 G01N 27/185; G01N 33/0006; G01N  
 33/0009-33/0075; G01N 1/24; G01N  
 1/2205; G01N 1/2273; G01N 2001/2276;  
 G01N 27/4077; G01N 27/4078; G08B  
 17/10-17/117; G01M 15/102; Y10T  
 29/49826

See application file for complete search history.

(56) **References Cited**

U.S. PATENT DOCUMENTS

8,464,573 B2	6/2013	Sekiya et al.	
8,806,918 B2 *	8/2014	Yonezu .....	G01N 27/4077 73/31.05
9,228,987 B2 *	1/2016	Shimazaki .....	G01N 27/4077
D755,655 S *	5/2016	Scott .....	D10/81
9,335,312 B2	5/2016	Kato	
D787,903 S *	5/2017	Atwell .....	D8/14

(Continued)

*Primary Examiner* — Antoine Duval Davis

(74) *Attorney, Agent, or Firm* — Mattingly & Malur, PC

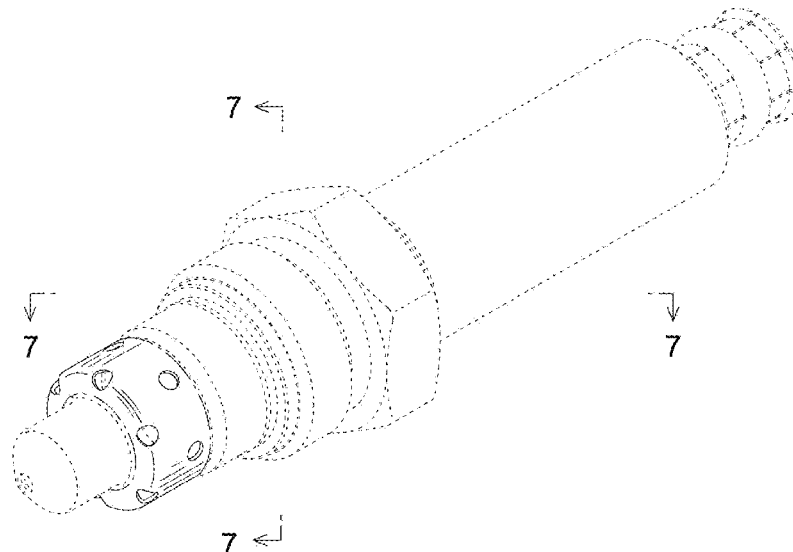
(57) **CLAIM**

The ornamental design for a gas concentration detection sensor, as shown and described.

**DESCRIPTION**

FIG. 1 is an enlarged perspective view of a fourth embodiment of a gas concentration detection sensor showing our new design;  
 FIG. 2 is a front view thereof;  
 FIG. 3 is a back view thereof;  
 FIG. 4 is a top view thereof, the bottom view thereof being a same image;  
 FIG. 5 is a right view thereof;  
 FIG. 6 is a left view thereof;  
 FIG. 7 is an enlarged view thereof indicated in FIG. 1;  
 FIG. 8 is an enlarged internal-mechanism-omitted end view thereof indicated in FIG. 2;  
 FIG. 9 is an enlarged internal-mechanism-omitted end view thereof indicated in FIG. 2; and,  
 FIG. 10 is an enlarged partial internal-mechanism-omitted end view thereof indicated in FIG. 2 and FIG. 6.  
 The broken lines shown in the figures are for illustrative purposes only and form no part of the claimed design.  
 The dot-dash broken lines shown in the figures are to indicate a boundary between a claimed design and disclaimed portion, and those are not a part of a claimed design or disclaimed portion.

**1 Claim, 10 Drawing Sheets**



(56)

**References Cited**

U.S. PATENT DOCUMENTS

9,714,895	B2 *	7/2017	Landkammer .....	G01N 15/0656
9,759,586	B2 *	9/2017	Mori .....	G01N 27/4077
10,054,573	B2 *	8/2018	Isaka .....	G01N 27/4077
D841,499	S *	2/2019	Drewes .....	D10/81

\* cited by examiner

FIG. 1

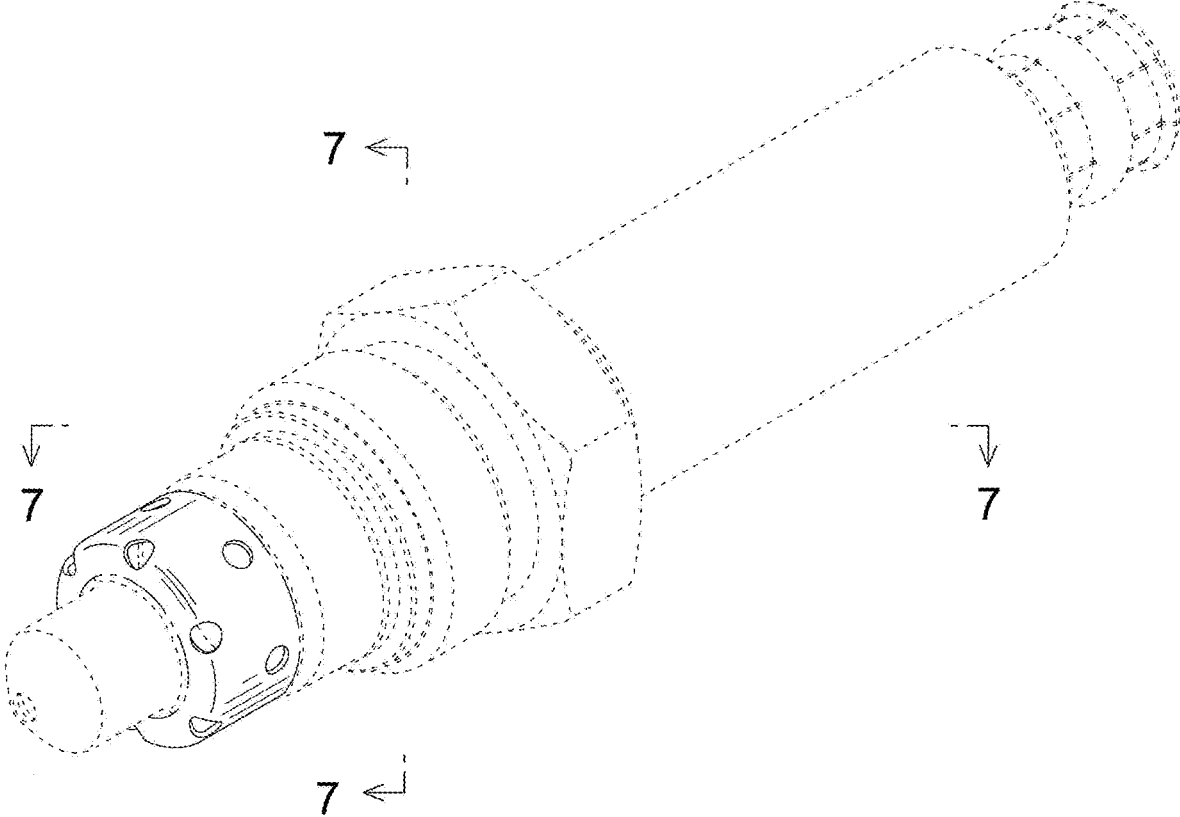


FIG. 2

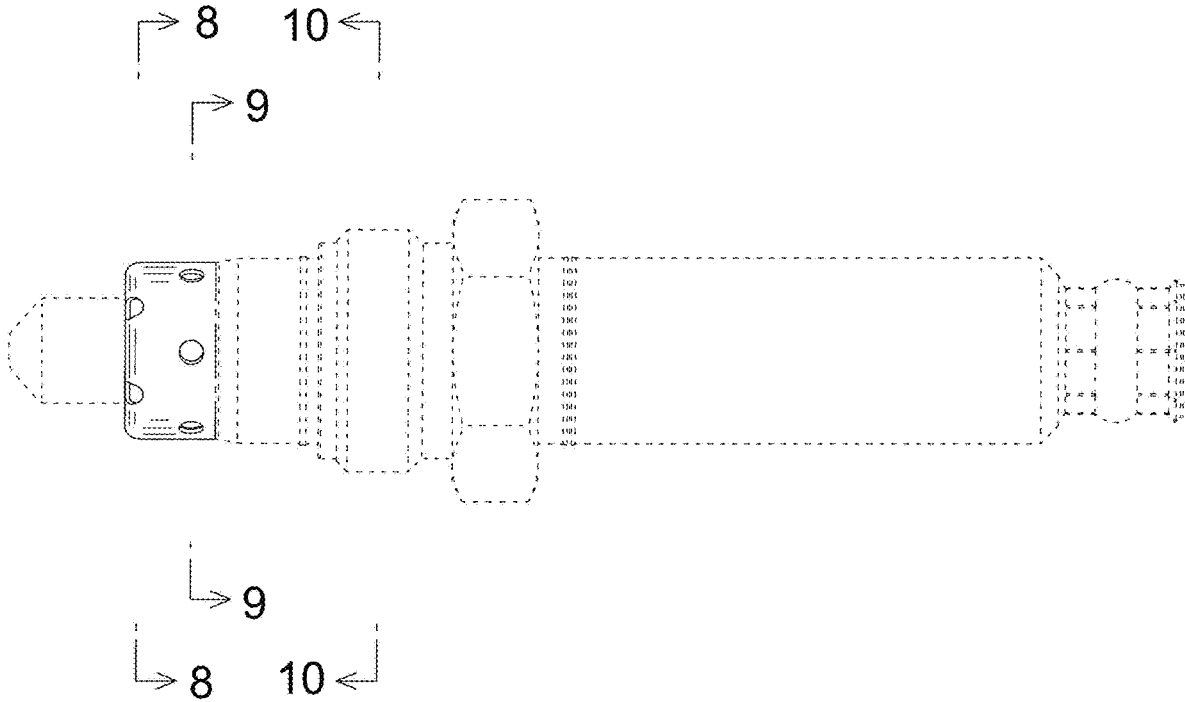


FIG. 3

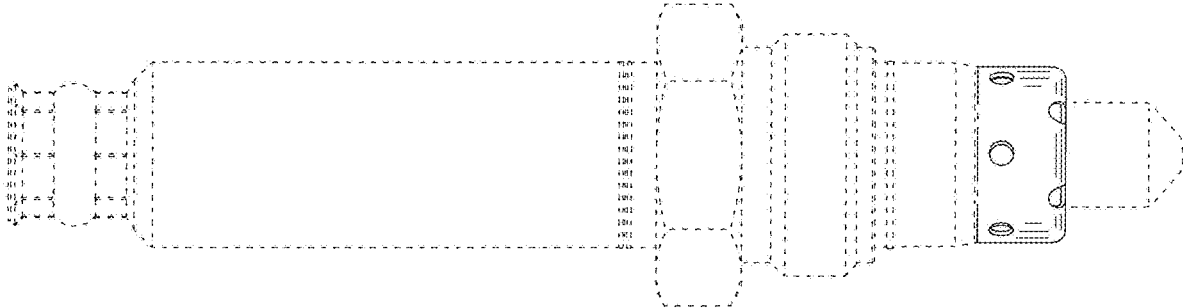


FIG. 4

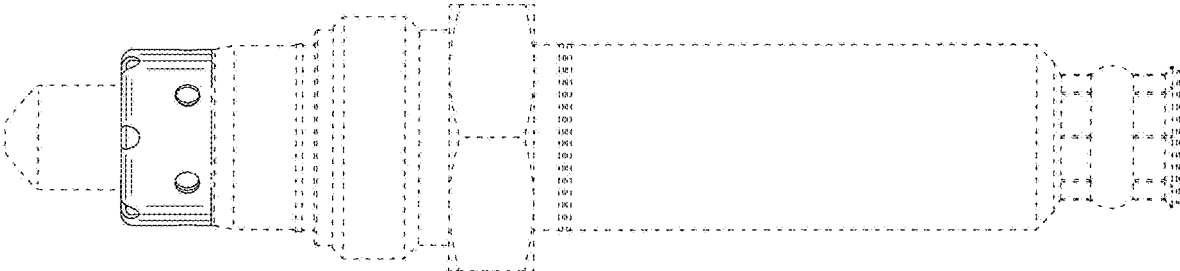


FIG. 5

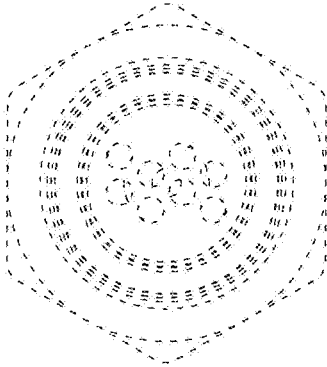


FIG. 6

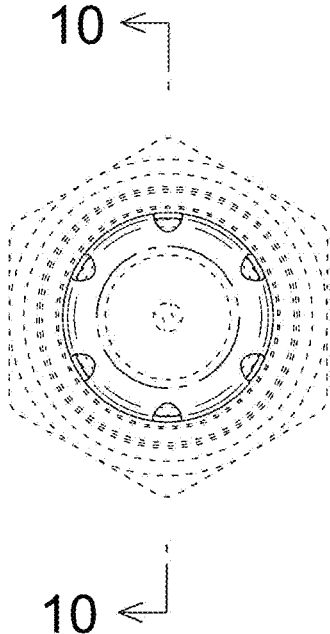


FIG. 7

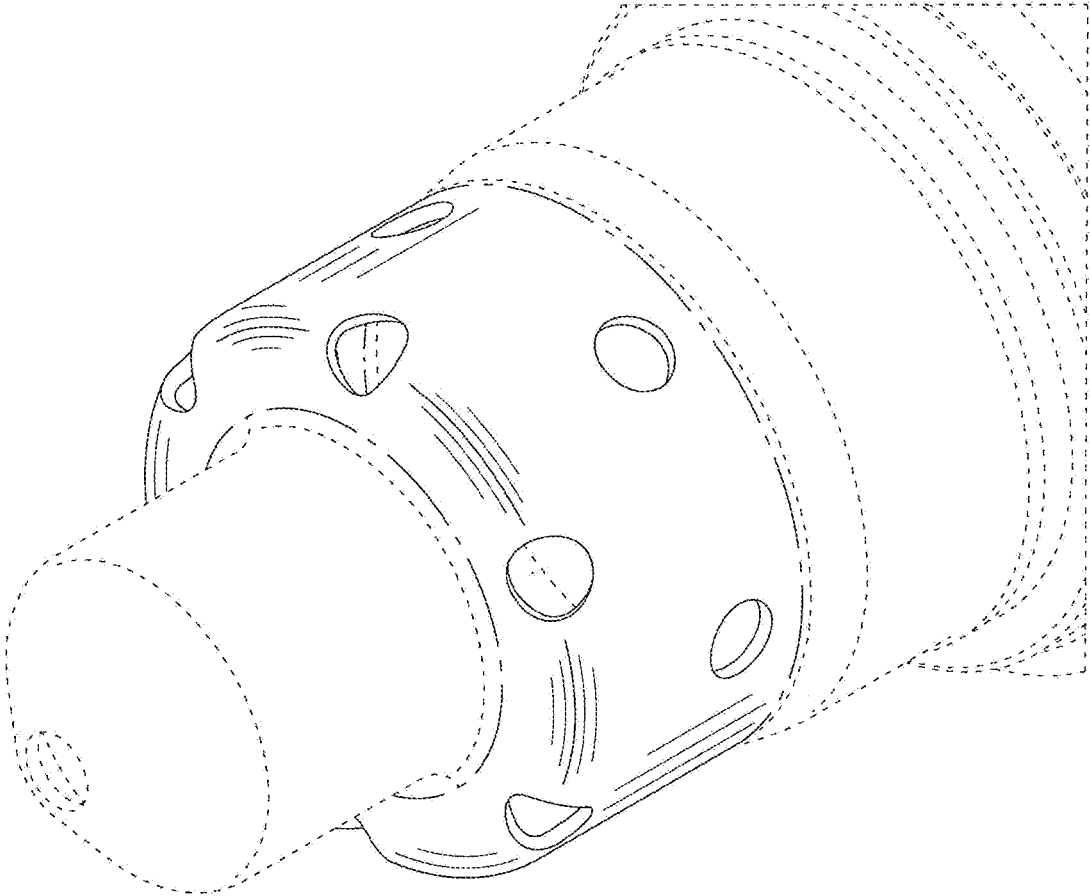


FIG. 8

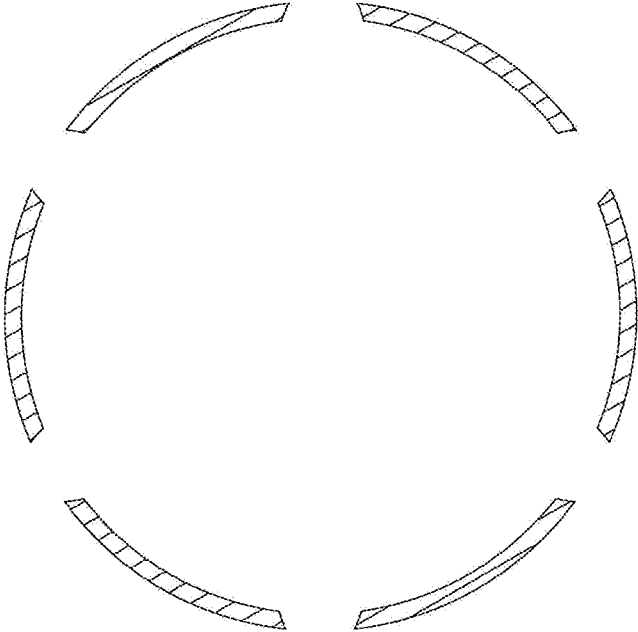


FIG. 9

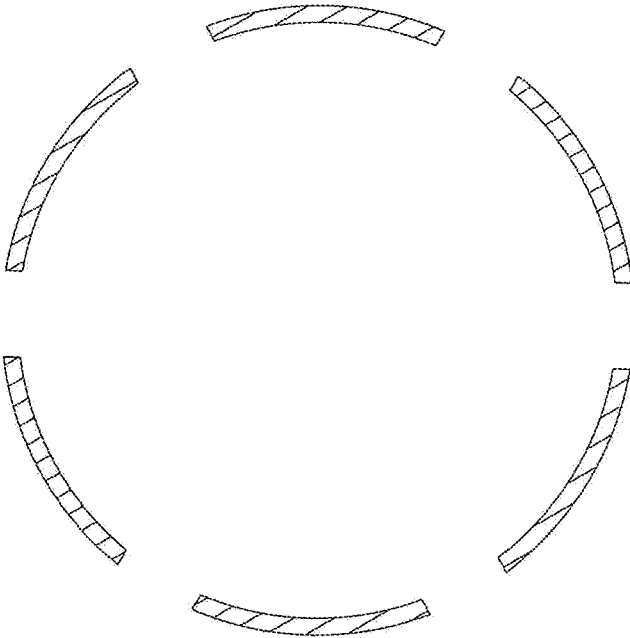


FIG. 10

