

(19) World Intellectual Property
Organization
International Bureau



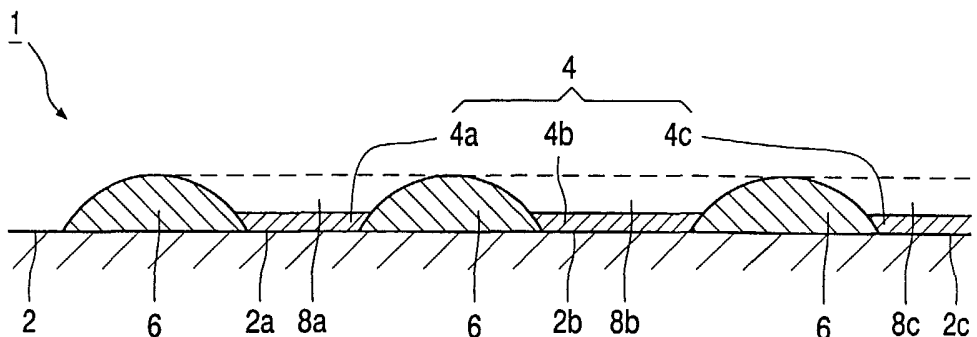
(43) International Publication Date
4 December 2003 (04.12.2003)

PCT

(10) International Publication Number
WO 2003/100860 A3

- (51) International Patent Classification⁷: **H01L 27/00**, 51/40
- (21) International Application Number: PCT/IB2003/001930
- (22) International Filing Date: 8 May 2003 (08.05.2003)
- (25) Filing Language: English
- (26) Publication Language: English
- (30) Priority Data: 02077058.2 27 May 2002 (27.05.2002) EP
- (71) Applicant (for all designated States except US): **KONINKLIJKE PHILIPS ELECTRONICS N.V.** [NL/NL]; Groenewoudseweg 1, NL-5621 BA Eindhoven (NL).
- (72) Inventors; and
- (75) Inventors/Applicants (for US only): **HASKAL, Eliav, I.** [US/NL]; c/o Prof. Holstlaan 6, NL-5656 AA Eindhoven (NL). **CAMPS, Ivo, G., J.** [BE/BE]; c/o Prof. Holstlaan 6, NL-5656 AA Eindhoven (NL). **DUINEVELD, Paulus, C.** [NL/NL]; c/o Prof. Holstlaan 6, NL-5656 AA Eindhoven (NL). **VAN GRAVEN-CLAASSEN, Anouk, M.** [NL/NL]; c/o Prof. Holstlaan 6, NL-5656 AA Eindhoven (NL). **VAN DEN BIGGELAAR, Antonius, J., M.** [NL/NL]; c/o Prof. Holstlaan 6, NL-5656 AA Eindhoven (NL).
- (74) Agent: **DEGUELLE, Wilhelmus, H., G.**; Philips Intellectual Property & Standards, Prof. Holstlaan 6, NL-5656 AA Eindhoven (NL).
- (81) Designated States (national): AE, AG, AL, AM, AT, AU, AZ, BA, BB, BG, BR, BY, BZ, CA, CH, CN, CO, CR, CU, CZ, DE, DK, DM, DZ, EC, EE, ES, FI, GB, GD, GE, GH, GM, HR, HU, ID, IL, IN, IS, JP, KE, KG, KP, KR, KZ, LC, LK, LR, LS, LT, LU, LV, MA, MD, MG, MK, MN, MW, MX, MZ, NI, NO, NZ, OM, PH, PL, PT, RO, RU, SC, SD, SE, SG, SK, SL, TJ, TM, TN, TR, TT, TZ, UA, UG, US, UZ, VC, VN, YU, ZA, ZM, ZW.
- (84) Designated States (regional): ARIPO patent (GH, GM, KE, LS, MW, MZ, SD, SL, SZ, TZ, UG, ZM, ZW), Eurasian patent (AM, AZ, BY, KG, KZ, MD, RU, TJ, TM), European patent (AT, BE, BG, CH, CY, CZ, DE, DK, EE, ES, FI, FR, GB, GR, HU, IE, IT, LU, MC, NL, PT, RO, SE, SI, SK, TR), OAPI patent (BF, BJ, CF, CG, CI, CM, GA, GN, GQ, GW, ML, MR, NE, SN, TD, TG).
- Published:**
— with international search report
— before the expiration of the time limit for amending the claims and to be republished in the event of receipt of amendments
- (88) Date of publication of the international search report: 22 July 2004
- For two-letter codes and other abbreviations, refer to the "Guidance Notes on Codes and Abbreviations" appearing at the beginning of each regular issue of the PCT Gazette.

(54) Title: METHOD OF PROVIDING A SUBSTRATE SURFACE WITH A PATTERNED LAYER



(57) Abstract: A method of manufacturing a patterned layer (4) on a substrate comprises providing a substrate surface (2) with a dam structure (6) partitioning the substrate surface into a plurality of compartments for containing fluid from which regions of the patterned layer are obtainable, filling, using a wet deposition method, compartments with volumes of fluid and then obtaining from the volumes of fluid regions of the patterned layer. In order to obtain a patterned layer which has a relatively large thickness and a good uniformity in thickness, the filling and obtaining is done in several passes, each pass comprising filling a selection of compartments with fluid having a volume larger than the volume of the compartment and obtaining the corresponding regions therefrom, taking care that in no selection two compartments which are nearest-neighbor of each other are included.

WO 2003/100860 A3

INTERNATIONAL SEARCH REPORT

International Application No
PCT/IB 03/01930

A. CLASSIFICATION OF SUBJECT MATTER IPC 7 H01L27/00 H01L51/40				
According to International Patent Classification (IPC) or to both national classification and IPC				
B. FIELDS SEARCHED				
Minimum documentation searched (classification system followed by classification symbols) IPC 7 H01L				
Documentation searched other than minimum documentation to the extent that such documents are included in the fields searched				
Electronic data base consulted during the international search (name of data base and, where practical, search terms used) EPO-Internal, PAJ, WPI Data, INSPEC				
C. DOCUMENTS CONSIDERED TO BE RELEVANT				
Category °	Citation of document, with indication, where appropriate, of the relevant passages	Relevant to claim No.		
Y	EP 0 993 235 A (SEIKO EPSON CORP) 12 April 2000 (2000-04-12) column 1, paragraph 2 - paragraph 3 column 14, paragraph 56 - paragraph 57 -----	1, 3, 7-9, 11		
Y	EP 0 863 480 A (HEWLETT PACKARD CO) 9 September 1998 (1998-09-09) page 4, line 4 - line 14 page 5, line 31 - page 6, line 18 -----	1, 3, 7-9, 11		
A	EP 0 930 641 A (SEIKO EPSON CORP) 21 July 1999 (1999-07-21) page 9, column 15, paragraph 105 - column 16, paragraph 109 ----- -/--	1, 2		
<input checked="" type="checkbox"/> Further documents are listed in the continuation of box C. <input checked="" type="checkbox"/> Patent family members are listed in annex.				
° Special categories of cited documents :				
<table style="width: 100%; border: none;"> <tr> <td style="width: 50%; border: none; vertical-align: top;"> *A* document defining the general state of the art which is not considered to be of particular relevance *E* earlier document but published on or after the international filing date *L* document which may throw doubts on priority claim(s) or which is cited to establish the publication date of another citation or other special reason (as specified) *O* document referring to an oral disclosure, use, exhibition or other means *P* document published prior to the international filing date but later than the priority date claimed </td> <td style="width: 50%; border: none; vertical-align: top;"> *T* later document published after the international filing date or priority date and not in conflict with the application but cited to understand the principle or theory underlying the invention *X* document of particular relevance; the claimed invention cannot be considered novel or cannot be considered to involve an inventive step when the document is taken alone *Y* document of particular relevance; the claimed invention cannot be considered to involve an inventive step when the document is combined with one or more other such documents, such combination being obvious to a person skilled in the art. *&* document member of the same patent family </td> </tr> </table>			*A* document defining the general state of the art which is not considered to be of particular relevance *E* earlier document but published on or after the international filing date *L* document which may throw doubts on priority claim(s) or which is cited to establish the publication date of another citation or other special reason (as specified) *O* document referring to an oral disclosure, use, exhibition or other means *P* document published prior to the international filing date but later than the priority date claimed	*T* later document published after the international filing date or priority date and not in conflict with the application but cited to understand the principle or theory underlying the invention *X* document of particular relevance; the claimed invention cannot be considered novel or cannot be considered to involve an inventive step when the document is taken alone *Y* document of particular relevance; the claimed invention cannot be considered to involve an inventive step when the document is combined with one or more other such documents, such combination being obvious to a person skilled in the art. *&* document member of the same patent family
A document defining the general state of the art which is not considered to be of particular relevance *E* earlier document but published on or after the international filing date *L* document which may throw doubts on priority claim(s) or which is cited to establish the publication date of another citation or other special reason (as specified) *O* document referring to an oral disclosure, use, exhibition or other means *P* document published prior to the international filing date but later than the priority date claimed	*T* later document published after the international filing date or priority date and not in conflict with the application but cited to understand the principle or theory underlying the invention *X* document of particular relevance; the claimed invention cannot be considered novel or cannot be considered to involve an inventive step when the document is taken alone *Y* document of particular relevance; the claimed invention cannot be considered to involve an inventive step when the document is combined with one or more other such documents, such combination being obvious to a person skilled in the art. *&* document member of the same patent family			
Date of the actual completion of the international search <p style="text-align: center; font-size: 1.2em;">12 May 2004</p>		Date of mailing of the international search report <p style="text-align: center; font-size: 1.2em;">24/05/2004</p>		
Name and mailing address of the ISA European Patent Office, P.B. 5818 Patentlaan 2 NL - 2280 HV Rijswijk Tel. (+31-70) 340-2040, Tx. 31 651 epo nl, Fax: (+31-70) 340-3016		Authorized officer <p style="text-align: center; font-size: 1.2em;">De Laere, A</p>		

INTERNATIONAL SEARCH REPORT

International Application No
PCT/IB 03/01930

C.(Continuation) DOCUMENTS CONSIDERED TO BE RELEVANT		
Category *	Citation of document, with indication, where appropriate, of the relevant passages	Relevant to claim No.
A	<p>EP 1 139 455 A (SEIKO EPSON CORP) 4 October 2001 (2001-10-04) column 3, paragraph 14 - column 5, paragraph 26 column 11, paragraph 62 - column 12, paragraph 71</p> <p style="text-align: center;">-----</p>	1,2,5
A	<p>PATENT ABSTRACTS OF JAPAN vol. 2000, no. 09, 13 October 2000 (2000-10-13) & JP 2000 181381 A (SONY CORP), 30 June 2000 (2000-06-30) abstract</p> <p style="text-align: center;">-----</p>	1,3,6-10
A	<p>KOBAYASHI H ET AL: "A NOVEL RGB MULTICOLOR LIGHT-EMITTING POLYMER DISPLAY" SYNTHETIC METALS, ELSEVIER SEQUOIA, LAUSANNE, CH, vol. 111, no. 112, 2000, pages 125-128, XP000900881 ISSN: 0379-6779 page 125, paragraph 3 - page 126, paragraph 3</p> <p style="text-align: center;">-----</p>	1,3,4, 6-9,11

INTERNATIONAL SEARCH REPORT

International Application No
PCT/IB 03/01930

Patent document cited in search report		Publication date	Patent family member(s)	Publication date
EP 0993235	A	12-04-2000	JP 11271753 A	08-10-1999
			EP 0993235 A2	12-04-2000
			US 6476988 B1	05-11-2002
			WO 9948338 A1	23-09-1999
			TW 468075 B	11-12-2001
			US 2003076608 A1	24-04-2003
EP 0863480	A	09-09-1998	US 6067405 A	23-05-2000
			EP 0863480 A2	09-09-1998
			JP 10244674 A	14-09-1998
EP 0930641	A	21-07-1999	JP 11204529 A	30-07-1999
			EP 0930641 A2	21-07-1999
			TW 383280 B	01-03-2000
			US 2003003231 A1	02-01-2003
			US 2004048001 A1	11-03-2004
EP 1139455	A	04-10-2001	CN 1320011 A	31-10-2001
			EP 1139455 A2	04-10-2001
			JP 2002237383 A	23-08-2002
			TW 490997 B	11-06-2002
			US 2003211643 A1	13-11-2003
			US 2002016031 A1	07-02-2002
JP 2000181381	A	30-06-2000	NONE	